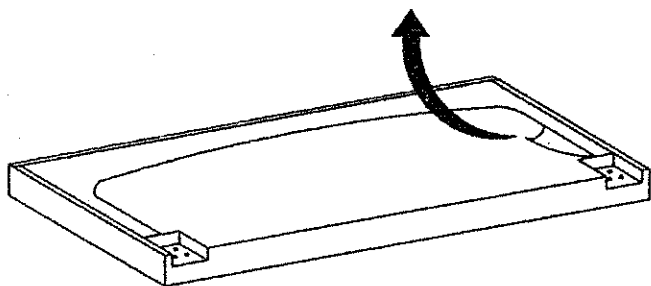


# Assembly Instruction

MODEL : 25710Q & 25730Q & 25750Q

QTY	ITEM	SIZE
A	HEADBOARD	1PC
B	FOOTBOARD	1PC
C1	SIDE RAIL	4PCS
C2	SIDE RAIL	4PCS
D	HEADBOARD BRACKET	2PCS
E	FOOTBOARD BRACKET	2PCS
F	SCREW	2PCS
G	WOOD BRACKET	4PCS
H	SCREW	4PCS
I	JCRB BOLT	4PCS

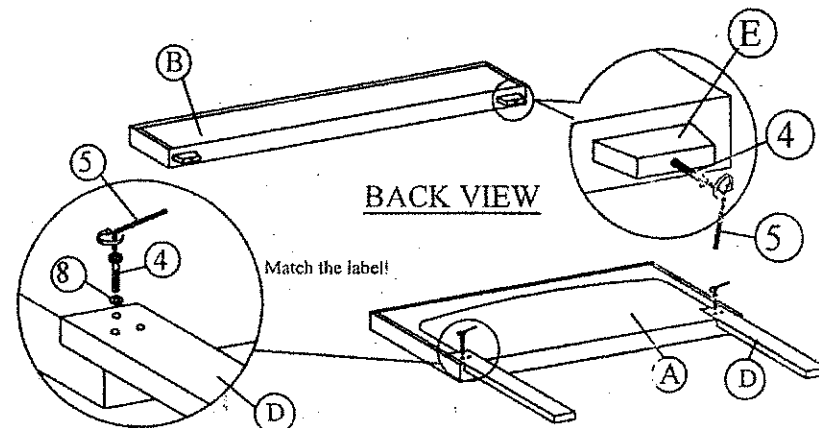
Step 1: Unzip the black non-woven fabric on the back of headboard and take out all the parts out.



Attention: Zip the black non-woven fabric after take out the parts!!

BACK VIEW

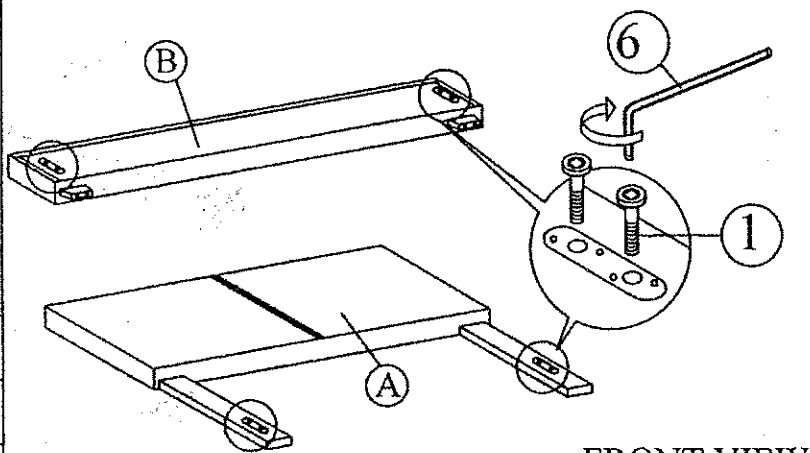
Step 2: Fix the headboard and footboard with legs as shown.



BACK VIEW

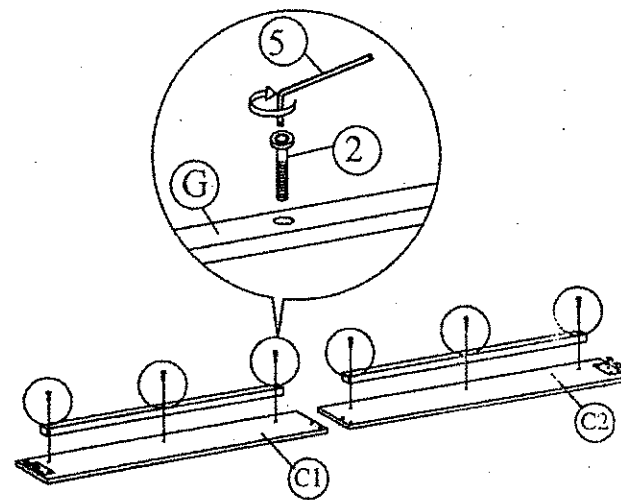
QTY	ITEM	SIZE
1	JCRB BOLT	4PCS
2	SCREW	20PCS
3	SCREW	4PCS
4	SCREW	8PCS
5	WOOD BRACKET	4PCS
6	WOOD BRACKET	4PCS
7	WOOD BRACKET	4PCS
8	SCREW	4PCS
9	SCREW	8PCS

Step 3: Attach the JCRB Bolt (1) to the headboard bracket and footboard bracket.

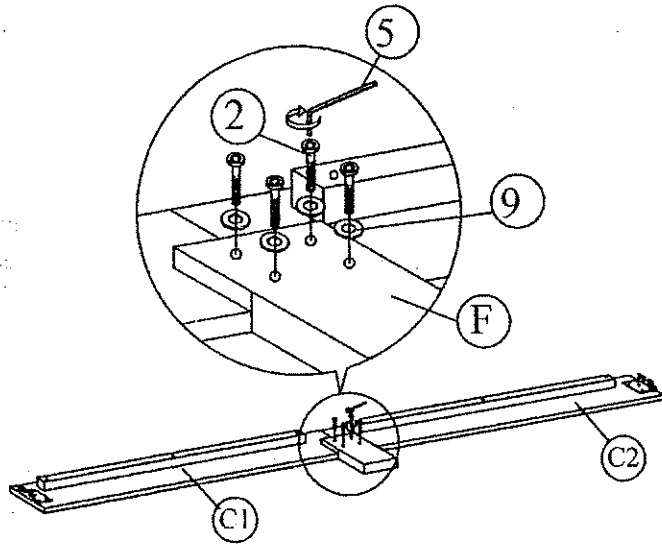


FRONT VIEW

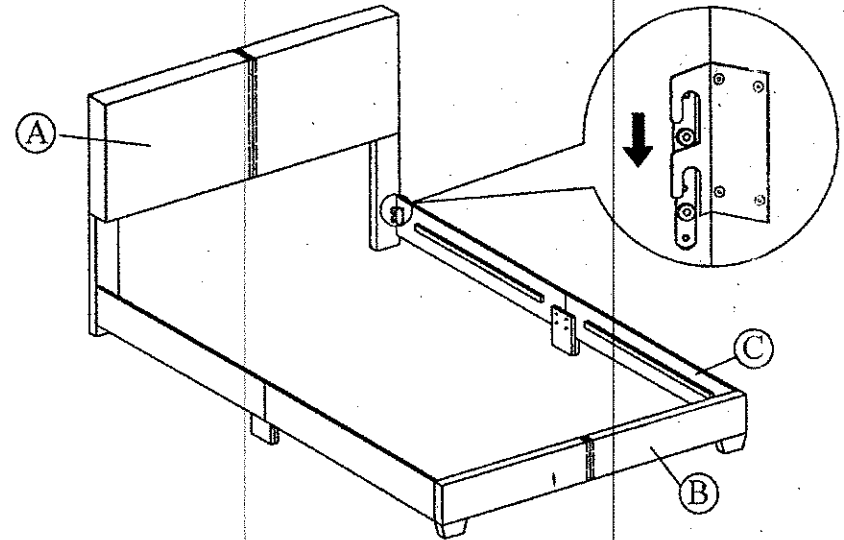
Step 4: Attach the side rail support wood (G) to the side rail (C).



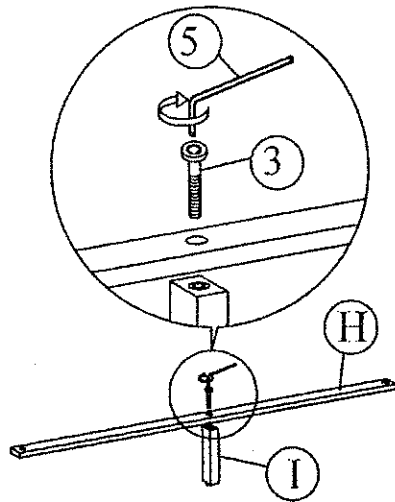
Step 5: Attach the side rail leg (F) to the side rail (C).



Step 6: Attach side rail (C) to headboard (A) and footboard (B) by pushing the bracket down to fit it.



Step 7: Attach the support legs (I) to the slats (H).



Step 8: Tighten the 4 Corner with Allen Key (6). Install the bed slats to side rail. Tighten the slats with CSK screw. The distance of the slats should be sufficient to obtain desirable bed stability.

