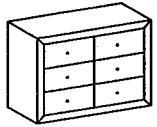
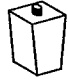


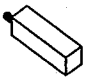
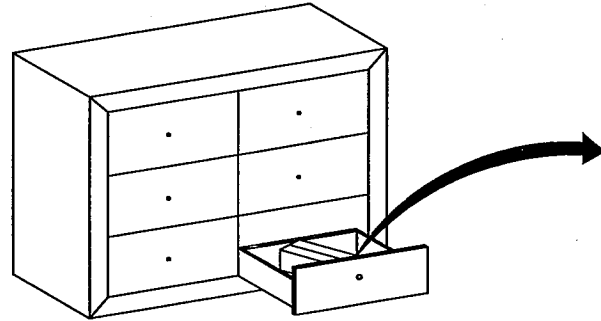


25665

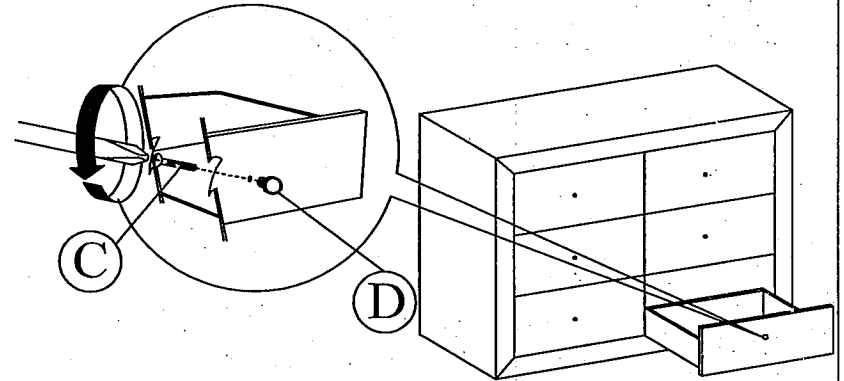
MODEL : CF 71 DRESSER

NO.	PART LIST	QTY
A	 DRESSER	1 PC
B	 LEG	4 PCS
C	HANDLE SCREW 45mm 	6 PCS
D	HANDLE 	6 PCS
E	 Support Legs	1 PC

Step 1 :Take out the small carton to assemble !



Step 2 :Attach the handle (D) by using handle screw (C).



Step 3: Tighten the legs (B) to Dresser (A) as shown.

