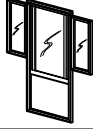






ASSEMBLY INSTRUCTION FOR ACME FURNITURE







MODEL#25329MR / #25327L / #25328R

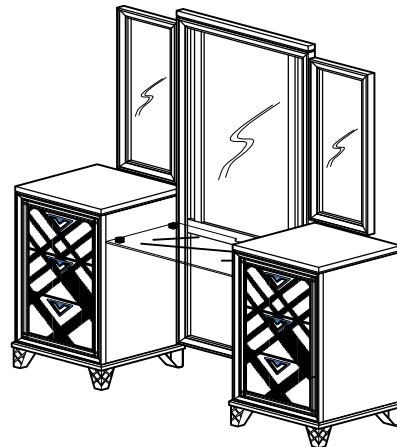
Thank you for purchasing this quality product. Be sure to check all packing material carefully for small parts which may have loose inside the carton during shipment. Separate, identify and count all parts and metal hardware. Compare with all parts list to be sure all parts are present. If any part(s) are missing or damaged, please contact your local furniture dealer. For efficient and speedy service, please indicate the model number and code letter of part(s) needed.

Do not fully tighten screw until fully assembled

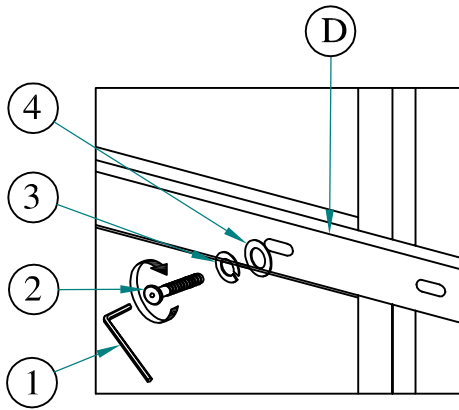
COMPONENT PARTS		
DESCRIPTION	PART NAME	Q'TY (PCS)
(A)	MIRROR 	1
(B)	VANITY UNIT (left) 	1
(C)	VANITY UNIT (right) 	1
(D)	MIRROR SUPPORT 	2
(E)	GLASS SHELF 	1

HARDWARE REQUIRED

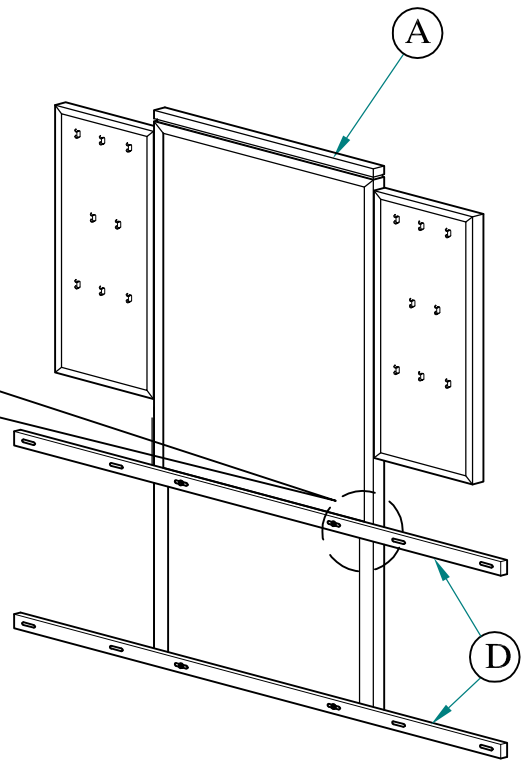
NO	NAME	PART	QTY
1	Allen key		1pc
2	JCBC 40mm		12pcs
3	M6 Spring washer		12pcs
4	1/4" Flat washer		12pcs
5	Glass Shelf Holder		4pcs
6	Pan Head Screw 25mm		4pcs



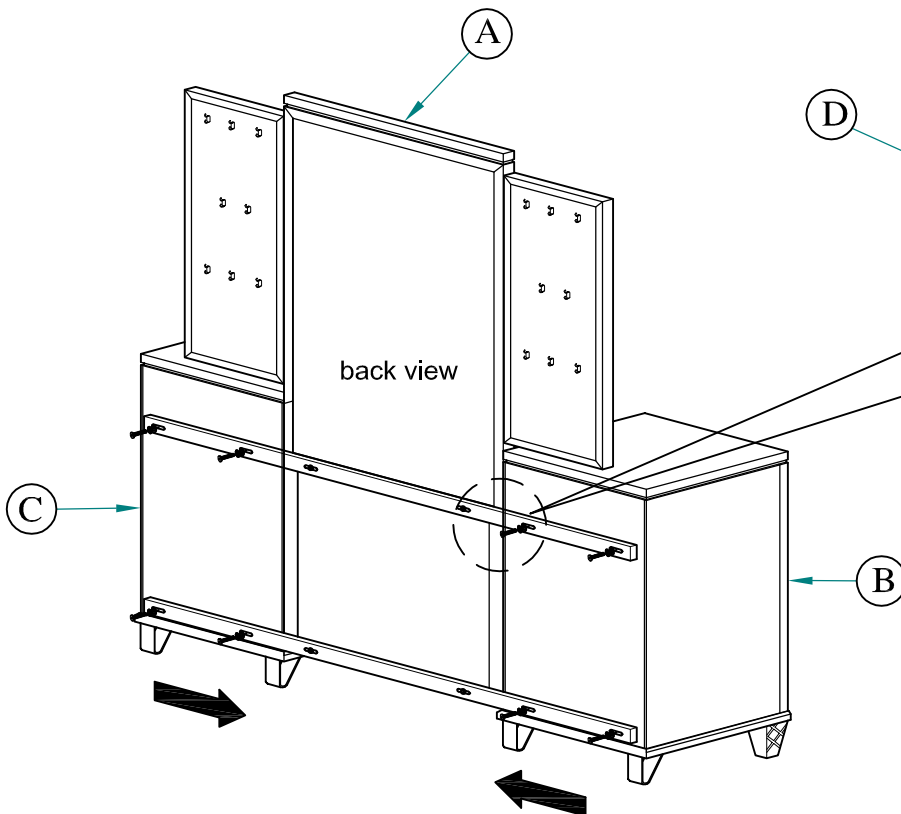
Step 1: Place (D) Mirror Support to the (A) Mirror as diagram shown and secure with (2) JCBC M6 x 40mm, (3) M6 Spring Washer & (4) 1/4" Flat Washer.



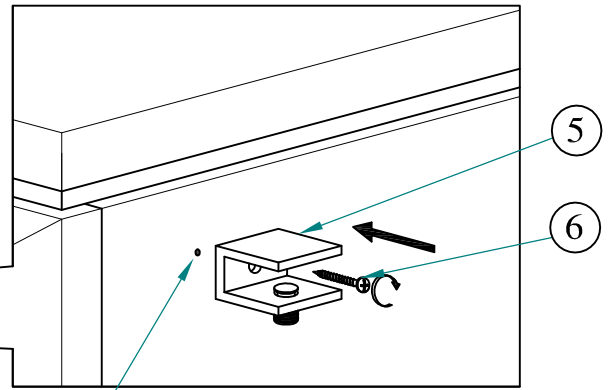
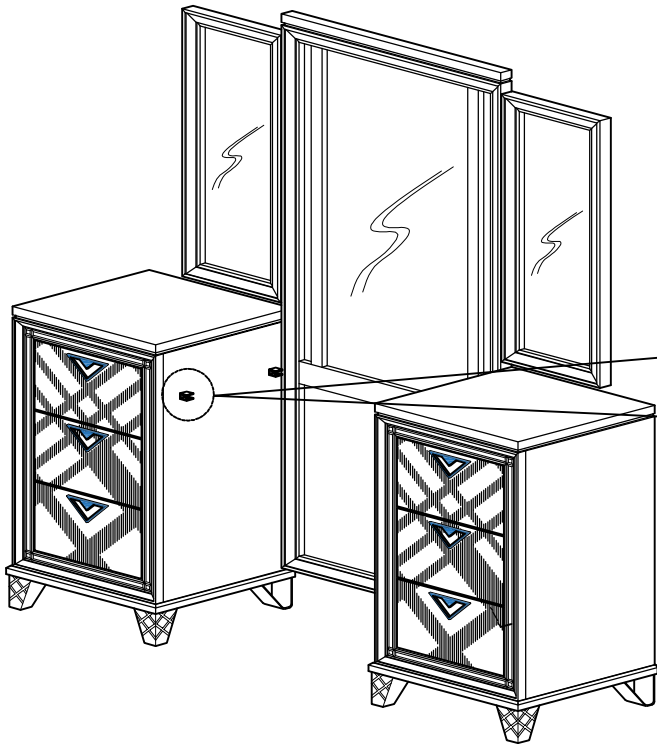
#Insert JCBC bolts, do not fully tighten it until step 2.



Step 2 : Place (A) Mirror in the middle between Vanity Unit as arrow shown. Align mirror and secure with (2) JCBC M6 x40mm, (3) M6 Spring Washer & (4) 1/4" Flat Washer.

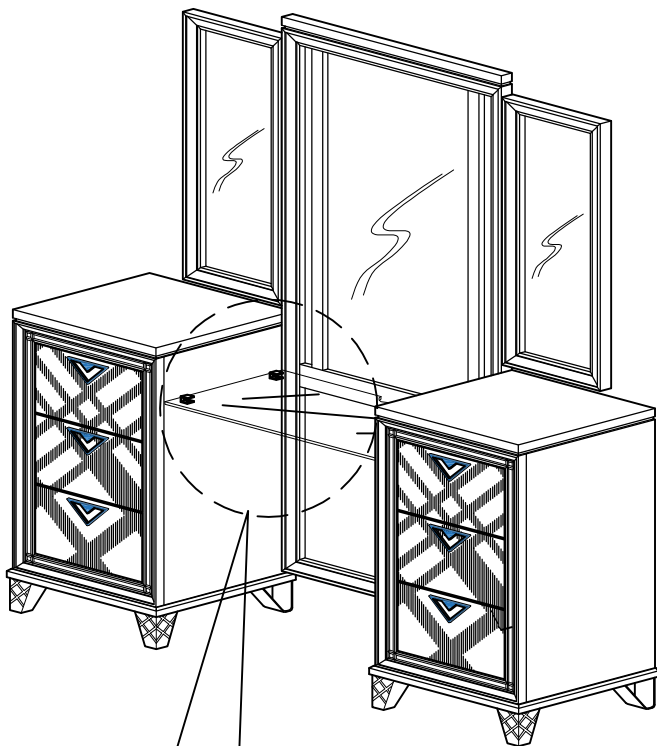


#Align Mirror Supports and tighten all JCBC bolts.

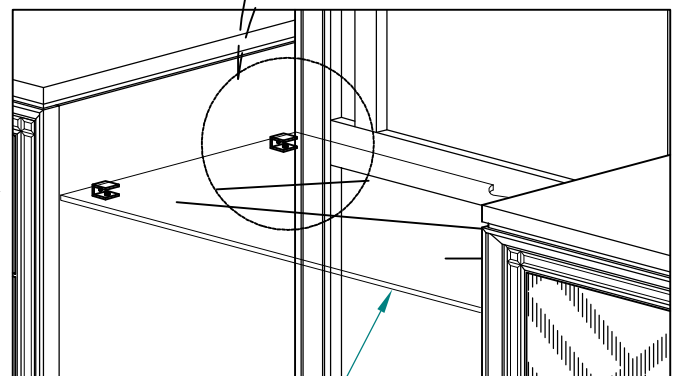
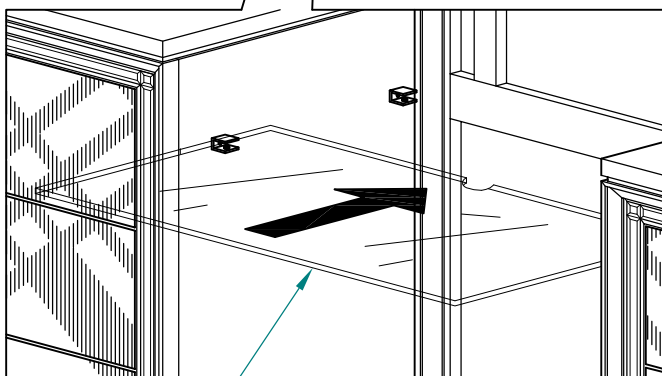
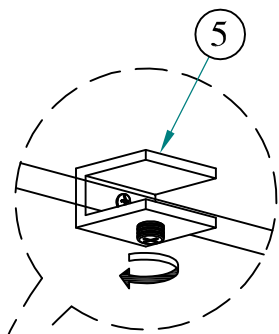


*screw marking

Step 3 : Attach a (5) Glass Shelf Holder to the Vanity Unit and secure with (6) Pan Head Screw 25mm.



Assembly completed



(E)

Step 4: Install a (E) Glass Shelf to the (5) Glass Shelf Holder with carefully. Then, tighten a screw Glass Shelf Holder as arrow shown.

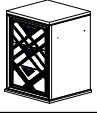


(E)

ASSEMBLY INSTRUCTION FOR ACME FURNITURE




MODEL #25327L

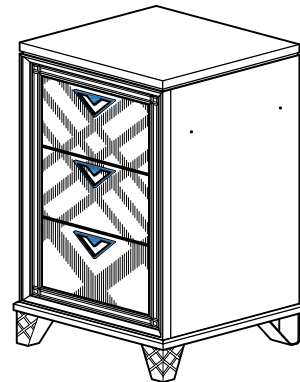
Thank you for purchasing this quality product. Be sure to check all packing material carefully for small parts which may have loose inside the carton during shipment. Separate, identify and count all parts and metal hardware. Compare with all parts list to be sure all parts are present. If any part(s) are missing or damaged, please contact your local furniture dealer. For efficient and speedy service, please indicate the model number and code letter of part(s) needed.

Do not fully tighten screw until fully assembled

COMPONENT PARTS		
DESCRIPTION	PART NAME	Q'TY (PCS)
(A)	VANITY UNIT (left) 	1
(B)	BUN FOOT 	2
(C)	METAL LEG 	2

HARDWARE REQUIRED

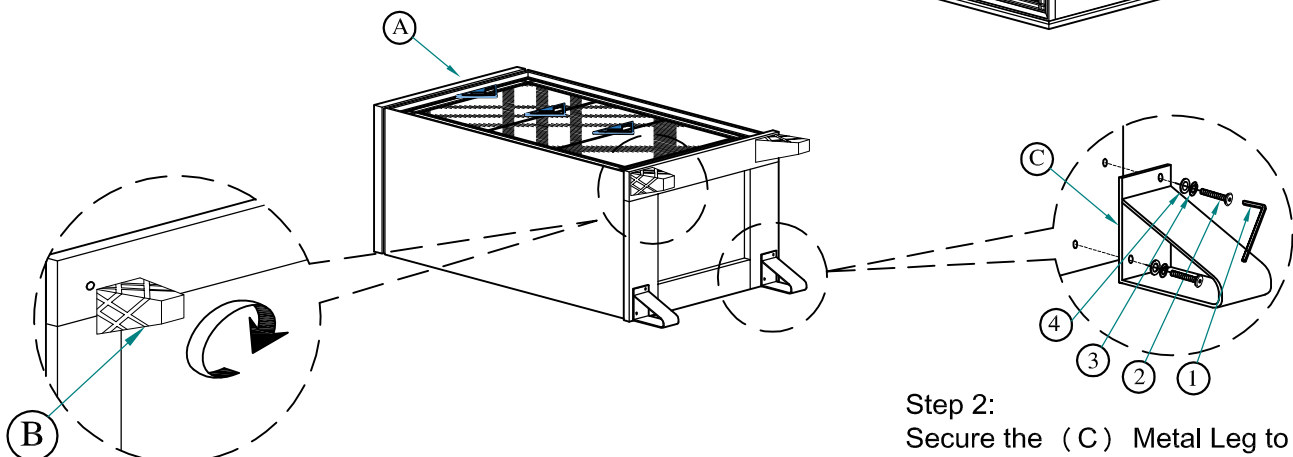
NO	NAME	PART	QTY
1	Allen Key		1pc
2	JCBC - M6 x 20mm		4pcs
3	M6 Spring Washer		4pcs
4	M6 Flat Washer		4pcs



Bun Foot cover

Remove Bun Foot cover before assemble.

Remove Bun Foot carton located in the drawer of the casegood. Remove and unwrap each foot.



Step 1:
Secure the (B) Bun Foot to the bottom of (A) Vanity Unit as a diagram shown.

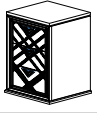


Step 2:
Secure the (C) Metal Leg to the bottom of (A) Vanity Unit as a diagram shown, tighten with (2) JCBC M6 x 20mm, (3) M6 Spring Washer & (4) M6 Flat Washer.

ASSEMBLY INSTRUCTION FOR ACME FURNITURE





MODEL #25328R

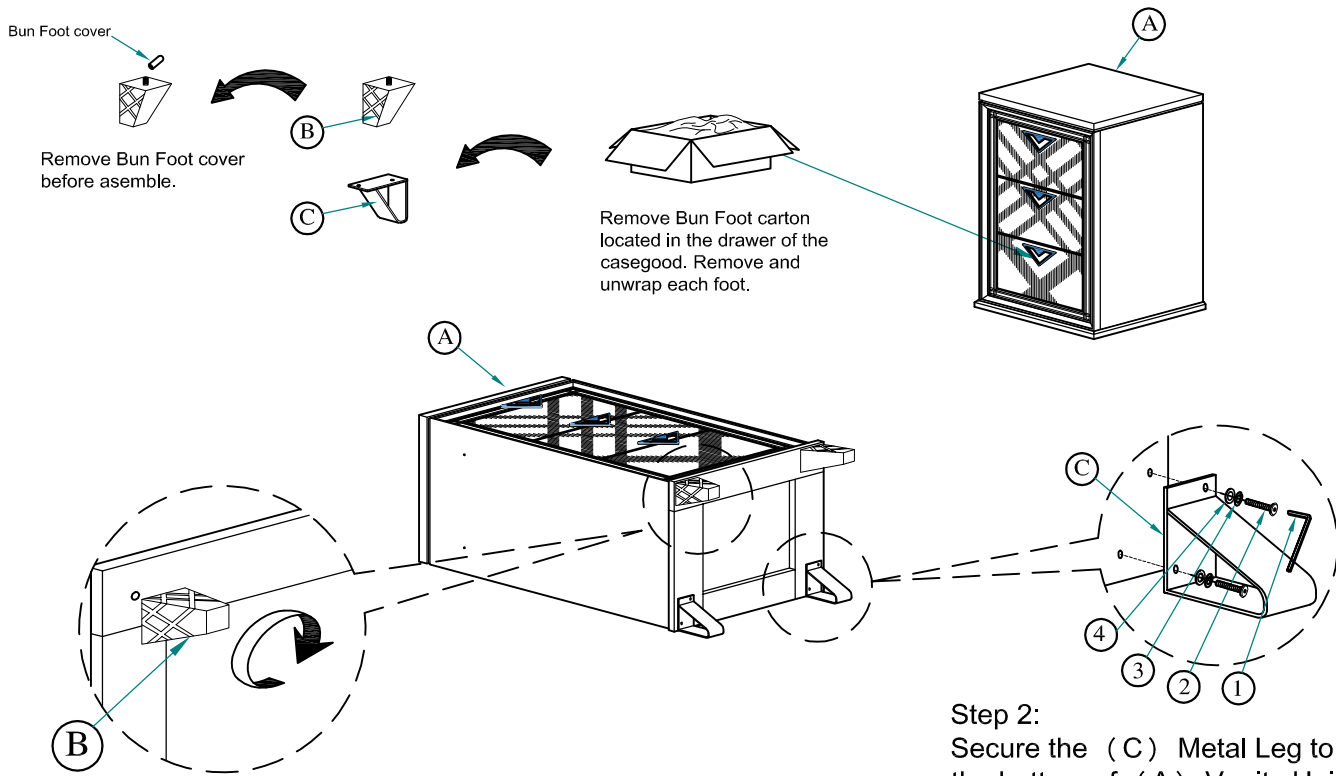
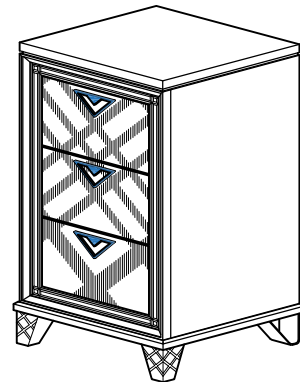
Thank you for purchasing this quality product. Be sure to check all packing material carefully for small parts which may have loose inside the carton during shipment. Separate, identify and count all parts and metal hardware. Compare with all parts list to be sure all parts are present. If any part(s) are missing or damaged, please contact your local furniture dealer. For efficient and speedy service, please indicate the model number and code letter of part(s) needed.

Do not fully tighten screw until fully assembled

		COMPONENT PARTS	
DESCRIPTION	PART NAME		
(A)	VANITY UNIT (right)		1
(B)	BUN FOOT		2
(C)	METAL LEG		2

HARDWARE REQUIRED

NO	NAME	PART	QTY
1	Allen Key		1pc
2	JCBC - M6 x 20mm		4pcs
3	M6 Spring Washer		4pcs
4	M6 Flat Washer		4pcs



Step 1:
Secure the (B) Bun Foot to the bottom of (A) Vanity Unit as a diagram shown.

Step 2:
Secure the (C) Metal Leg to the bottom of (A) Vanity Unit as a diagram shown, tighten with (2) JCBC M6 x 20mm, (3) M6 Spring Washer & (4) M6 Flat Washer.