

# ASSEMBLY INSTRUCTION FOR ACME FURNITURE

## MODEL #25323

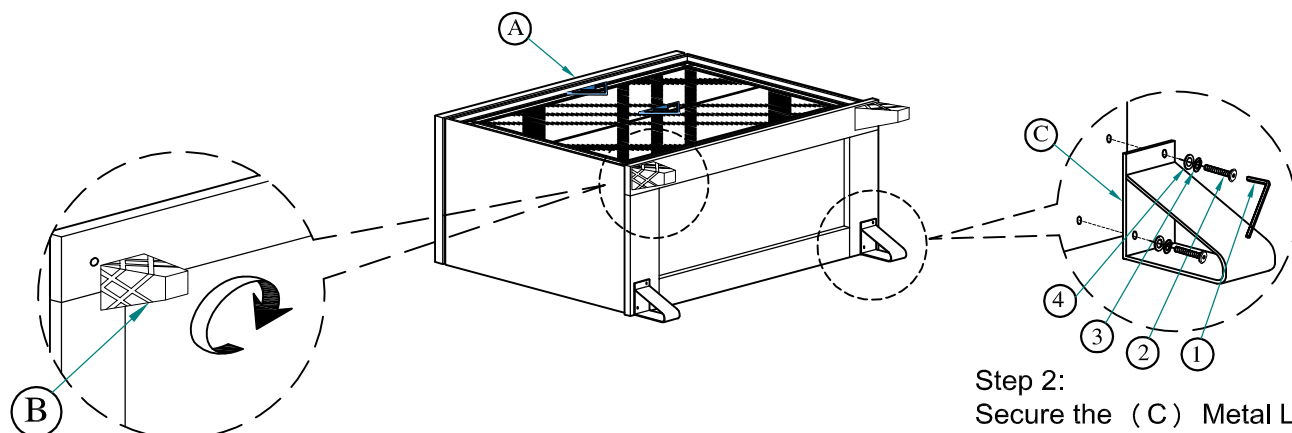
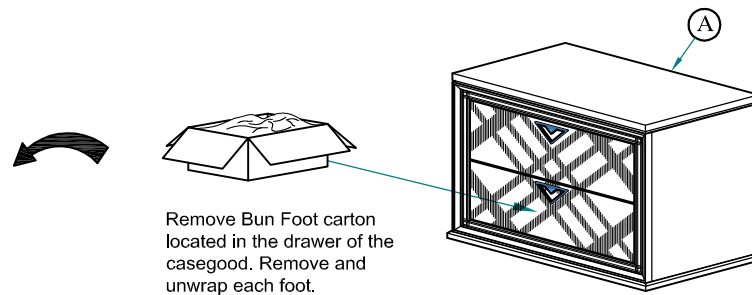
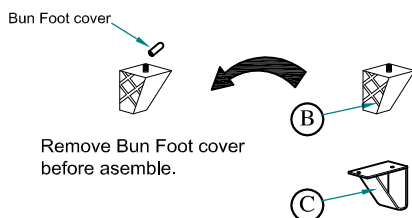
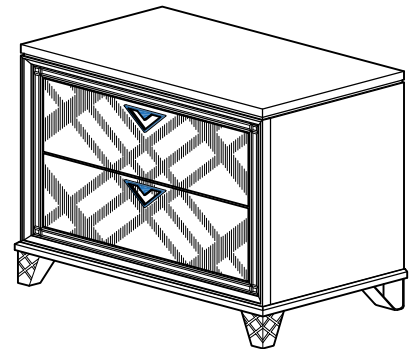
Thank you for purchasing this quality product. Be sure to check all packing material carefully for small parts which may have loose inside the carton during shipment. Separate, identify and count all parts and metal hardware. Compare with all parts list to be sure all parts are present. If any part(s) are missing or damaged, please contact your local furniture dealer. For efficient and speedy service, please indicate the model number and code letter of part(s) needed.

\*\*\*Do not fully tighten screw until fully assembled\*\*\*

DESCRIPTION	COMPONENT PARTS	
	PART NAME	Q'TY (PCS)
(A)	NIGHTSTAND	1
(B)	BUN FOOT	2
(C)	METAL LEG	2

### HARDWARE REQUIRED

NO	NAME	PART	QTY
1	Allen Key		1pc
2	JCBC - M6 x 20mm		4pcs
3	M6 Spring Washer		4pcs
4	M6 Flat Washer		4pcs

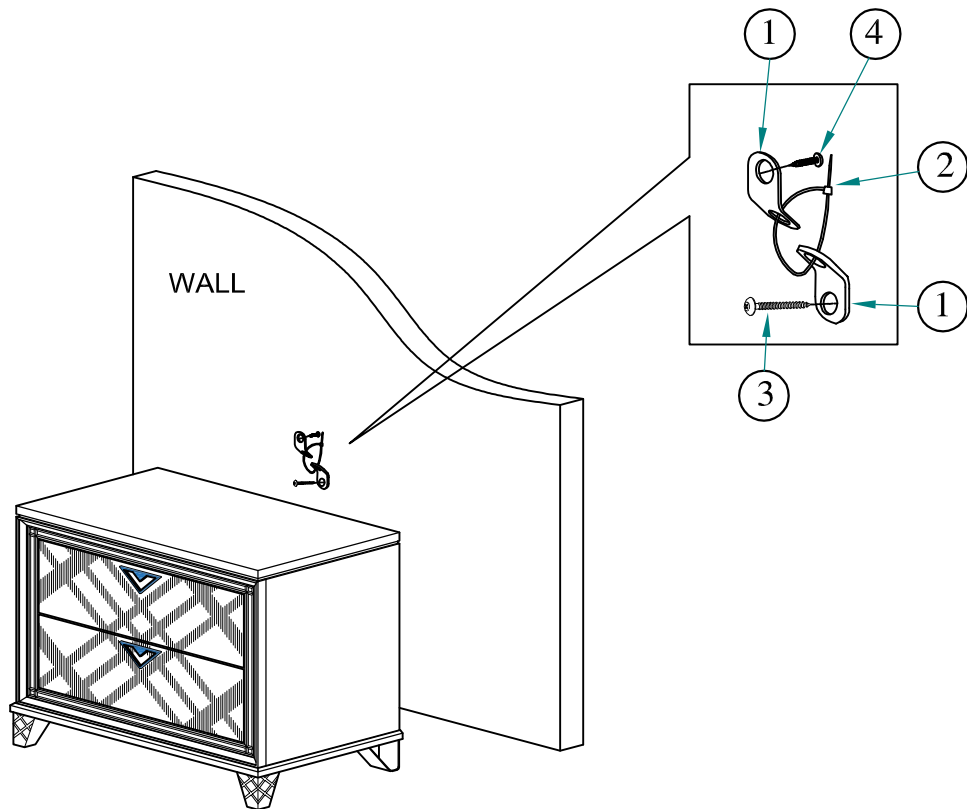


**Step 1:**  
Secure the (B) Bun Foot to the bottom of (A) Nightstand as a diagram shown.

**Step 2:**  
Secure the (C) Metal Leg to the bottom of (A) Nightstand as a diagram shown, tighten with (2) JCBC M6 x 20mm, (3) Spring washer & (4) Flat washer.

### HARDWARE LIST (ANTI TIPPING)

NO	DRAWING	DESCRIPTION	QTY
1		Bracket	2pcs
2		Tie Wrap	1pc
3		Screw (Long)	1pc
4		Screw (Short)	1pc



**Assembly completed**