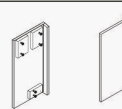
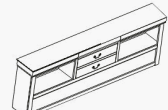

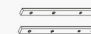
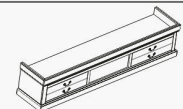

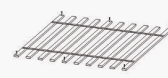







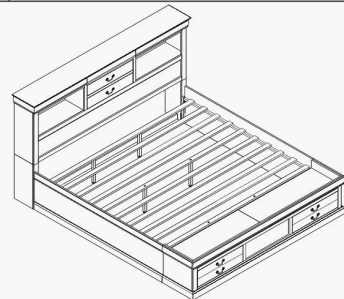
ASSEMBLY INSTRUCTIONS

PLATINUM 24920Q-HB, 24921Q-FB, 24922Q-R
 DARK GREY 24930Q-HB, 24931Q-FB, 24932Q-R
 REAL WHITE 24490Q-HB, 24491Q-FB, 24492Q-R
 GRAY 24360Q-HB, 24361Q-FB, 24362Q-R
 BLACK 24390Q-HB, 24391Q-FB, 24392Q-R
 CHERRY 24380Q-HB, 24381Q-FB, 24382Q-R

Thank you for purchasing this quality product. Be sure to check all packing materials carefully for small parts which may have come loose inside the carton during shipment. Identify and count all parts and compare with the parts list below.
 ** Assemble product on a flat, soft surface such as a carpet or cloth to prevent scratching the finish. Read all instruction and study the drawings carefully before starting the assembly process.

Parts List		Qty
A		2 pcs
B		1 pc
C		1 pc
D		2 pcs
E		1 pc
F		2 pcs
G		1 set
H		6 pcs

HARDWARE LIST			
a		4mm	1 pc
b		1/4"x1-1/4"	28 pcs
c		1/4"x10 mm	28 pcs
d		1/4"x14x2mm	28 pcs
e		10.9x30 mm	8 pcs
f		4x30mm	6 pcs



Step 1

Step 2

Step 3

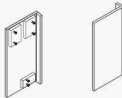
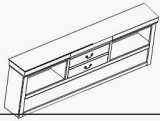

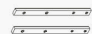
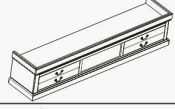

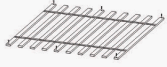

Step 4

MADE IN VIETNAM

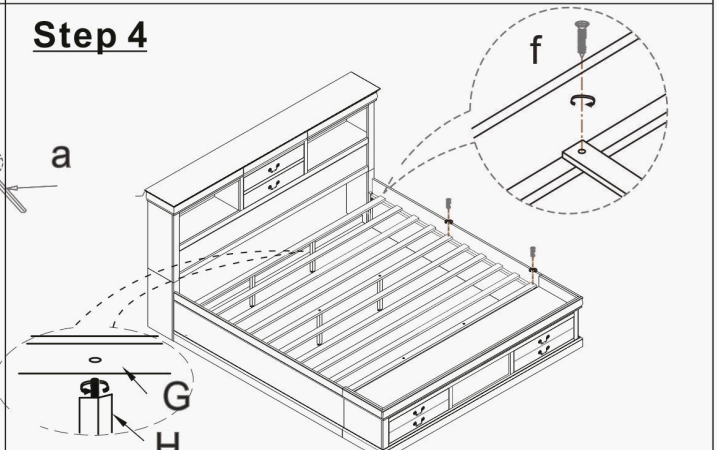
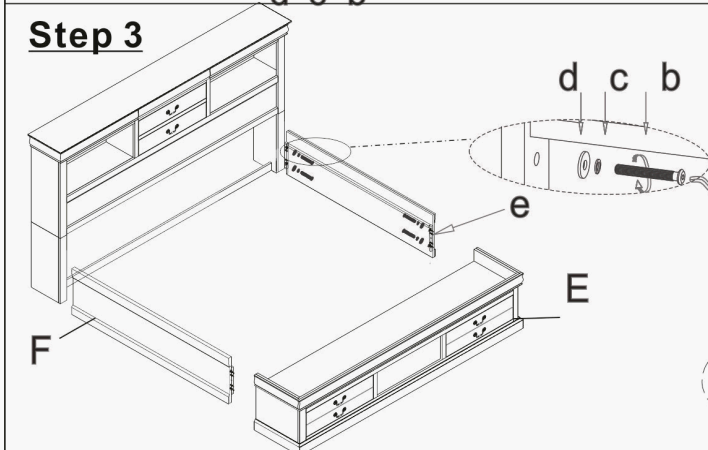
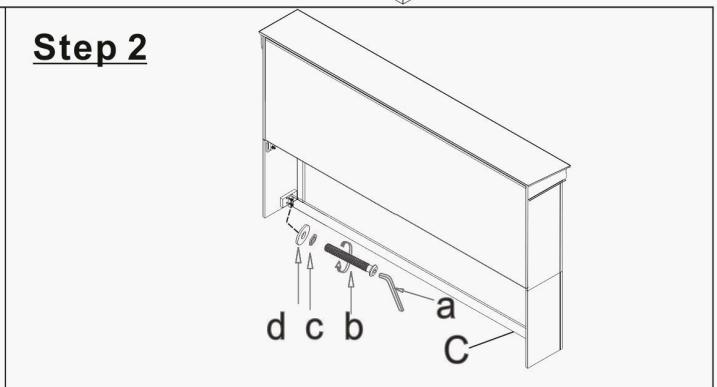
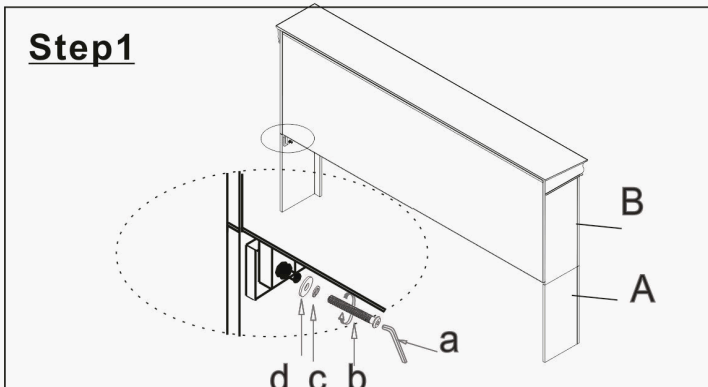
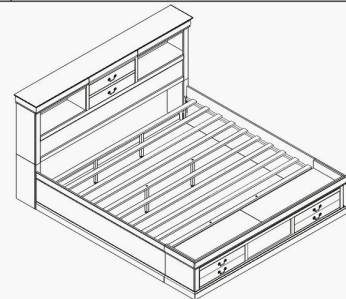
PLATINUM 24920EK-HB, 24921EK-FB, 24922EK-R
 DARK GREY 24930EK-HB, 24931EK-FB, 24932EK-R
 REAL WHITE 24490EK-HB, 24491EK-FB, 24492EK-R
 GRAY 24360EK-HB, 24361EK-FB, 24362EK-R
 BLACK 24390EK-HB, 24391EK-FB, 24392EK-R
 CHERRY 24380EK-HB, 24381EK-FB, 24382EK-R

ASSEMBLY INSTRUCTIONS

Thank you for purchasing this quality product. Be sure to check all packing materials carefully for small parts which may have come loose inside the carton during shipment. Identify and count all parts and compare with the parts list below.
 ** Assemble product on a flat, soft surface such as a carpet or cloth to prevent scratching the finish. Read all instruction and study the drawings carefully before starting the assembly process.

Parts List		Qty
A		2 pcs
B		1 pc
C		1 pc
D		2 pcs
E		1 pc
F		2 pcs
G		1 set
H		6 pcs

HARDWARE LIST			
a		4mm	1 pc
b		1/4"x1-1/4"	28 pcs
c		1/4"x10 mm	28 pcs
d		1/4"x14x2mm	28 pcs
e		10.9x30 mm	8 pcs
f		4x30mm	6 pcs



MADE IN VIETNAM