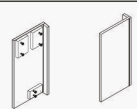
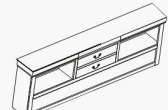

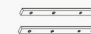
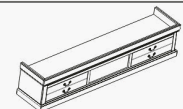

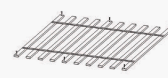



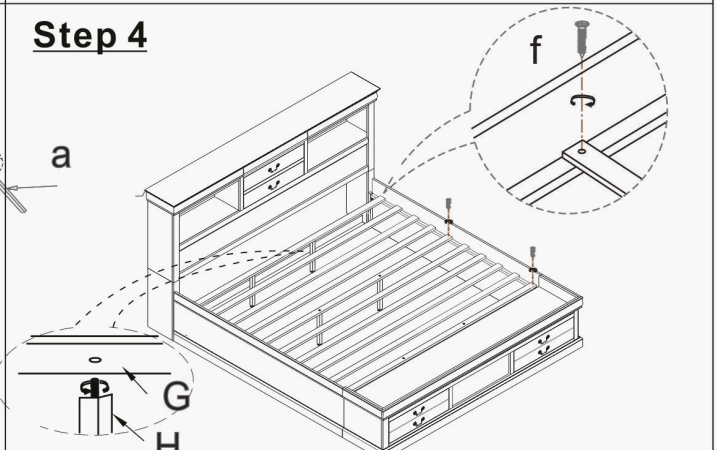
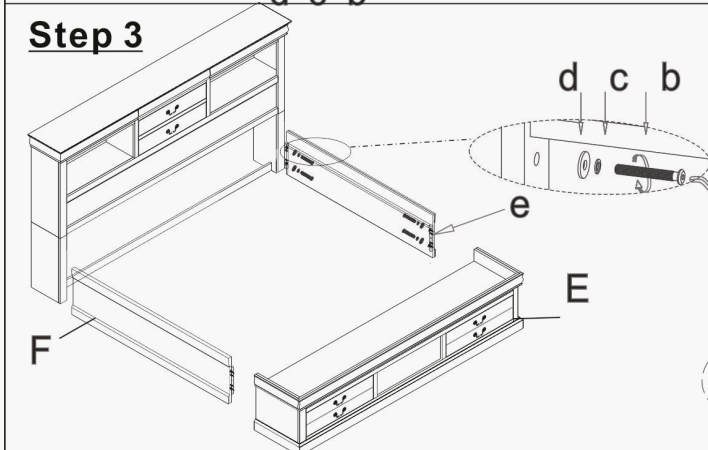
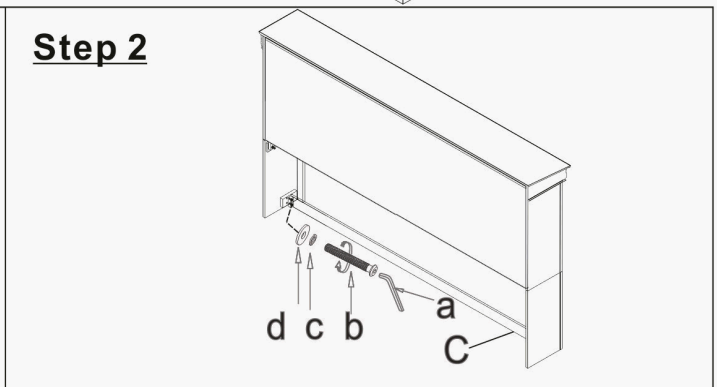
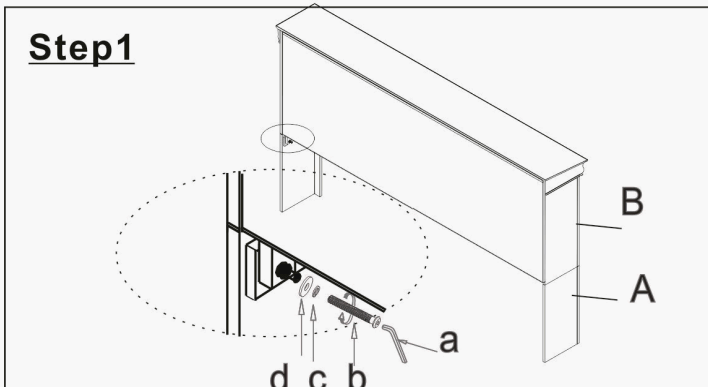
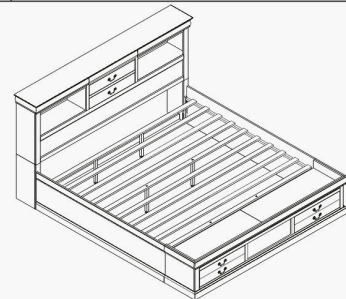
PLATINUM 24917EK-HB, 24918EK-FB, 24919EK-R
 DARK GREY 24927EK-HB, 24928EK-FB, 24929EK-R
 REAL WHITE 24497EK-HB, 24498EK-FB, 24499EK-R
 GRAY 24357EK-HB, 24358EK-FB, 24359EK-R
 BLACK 24387EK-HB, 24388EK-FB, 24389EK-R
 CHERRY 24377EK-HB, 24378EK-FB, 24379EK-R

ASSEMBLY INSTRUCTIONS

Thank you for purchasing this quality product. Be sure to check all packing materials carefully for small parts which may have come loose inside the carton during shipment. Identify and count all parts and compare with the parts list below.
 ** Assemble product on a flat, soft surface such as a carpet or cloth to prevent scratching the finish. Read all instruction and study the drawings carefully before starting the assembly process.

Parts List		Qty
A		2 pcs
B		1 pc
C		1 pc
D		2 pcs
E		1 pc
F		2 pcs
G		1 set
H		6 pcs

HARDWARE LIST			
a		4mm	1 pc
b		1/4"x1-1/4"	28 pcs
c		1/4"x10 mm	28 pcs
d		1/4"x14x2mm	28 pcs
e	10.9x30 mm	8 pcs	
f		4x30mm	6 pcs

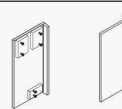
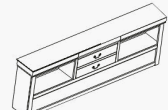

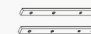
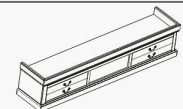

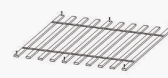



MADE IN VIETNAM

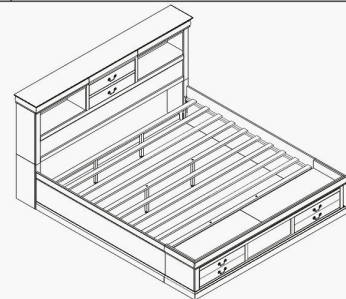
PLATINUM 24917EK-HB, 24918EK-FB, 24919EK-R
 DARK GREY 24927EK-HB, 24928EK-FB, 24929EK-R
 REAL WHITE 24497EK-HB, 24498EK-FB, 24499EK-R
 GRAY 24357EK-HB, 24358EK-FB, 24359EK-R
 BLACK 24387EK-HB, 24388EK-FB, 24389EK-R
 CHERRY 24377EK-HB, 24378EK-FB, 24379EK-R

ASSEMBLY INSTRUCTIONS

Thank you for purchasing this quality product. Be sure to check all packing materials carefully for small parts which may have come loose inside the carton during shipment. Identify and count all parts and compare with the parts list below.
 ** Assemble product on a flat, soft surface such as a carpet or cloth to prevent scratching the finish. Read all instruction and study the drawings carefully before starting the assembly process.

Parts List		Qty
A		2 pcs
B		1 pc
C		1 pc
D		2 pcs
E		1 pc
F		2 pcs
G		1 set
H		6 pcs

HARDWARE LIST			
a		4mm	1 pc
b		1/4"x1-1/4"	28 pcs
c		1/4"x10 mm	28 pcs
d		1/4"x14x2mm	28 pcs
e		10.9x30 mm	8 pcs
f		4x30mm	6 pcs



Step 1

Step 2

Step 3

Step 4

MADE IN VIETNAM