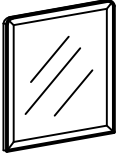
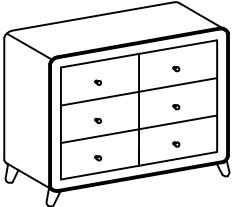
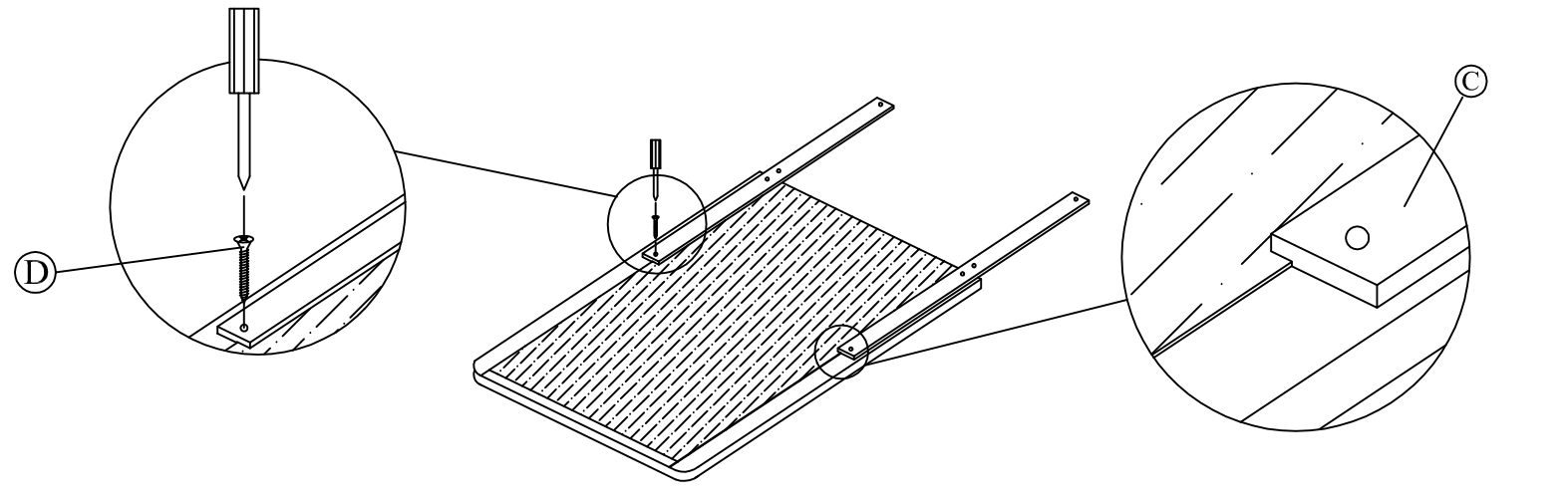



MODEL : CF 70 MIRROR

STEP 1 : Attach the Mirror support (C) to the back at the Mirror (A) as shown .

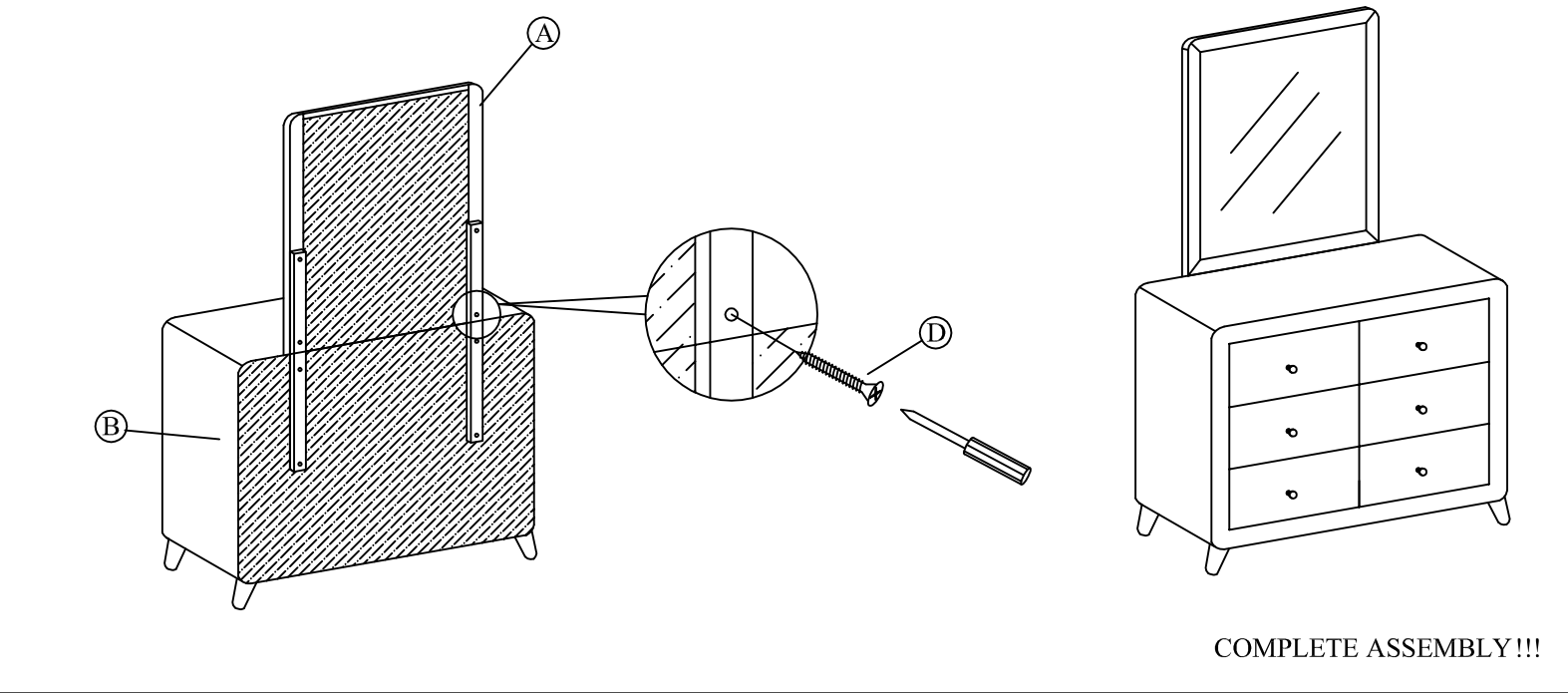
NO.	PART LIST	QTY
A	 MIRROR	1 PC
B	 DRESSER	1 PC



C	 MIRROR SUPPORT	2 PCS
---	--	-------

STEP 2 :Using the CSK Screw (D) tighten the Mirror (A)with Mirror support (C) to the back of Dresser (B).

NO.	HARDWARE LIST	QTY
D	 CSK SCREW M4 x 25MM	8 PCS



COMPLETE ASSEMBLY!!!