

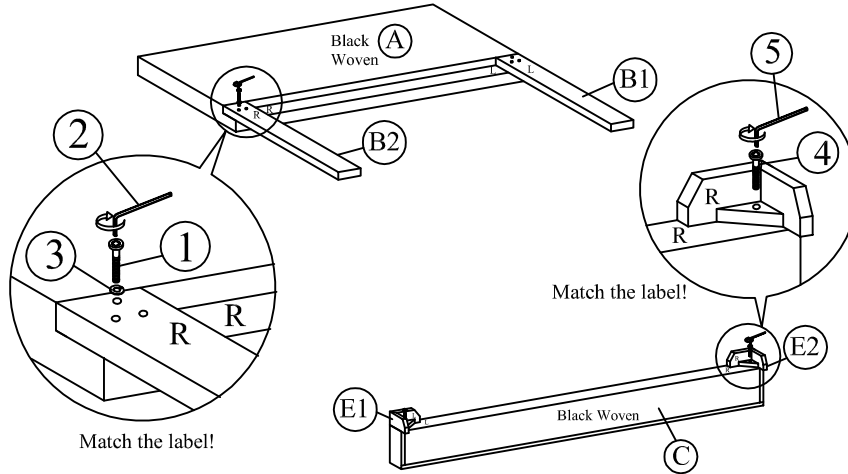
MODEL : 14340Q& 14370Q&14390Q  
24320Q

## Assembly Instruction

(BOX 1)  
BOX OF HEADBOARD

NO	ITEM	QTY
A	HEADBOARD	1 PC
B	HEADBOARD LEG B1 L B2 R	2 PCS

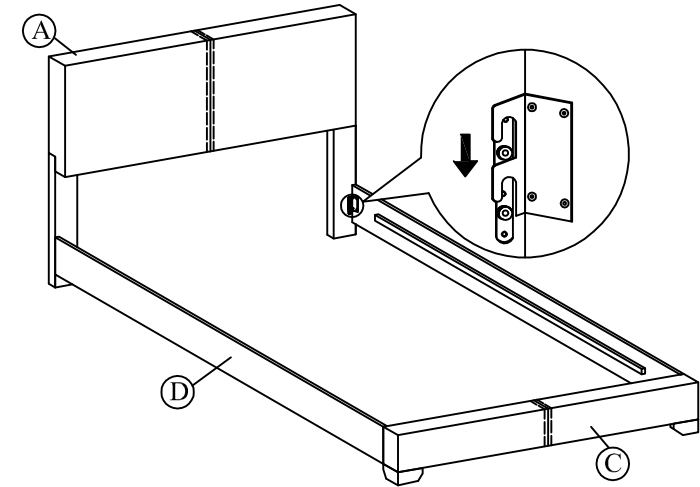
Step 1: Fix the headboard (A) and footboard (C) with headboard legs (B) and footboard leg (E) as shown. Please follow the label to identify the correct legs to be fixed.



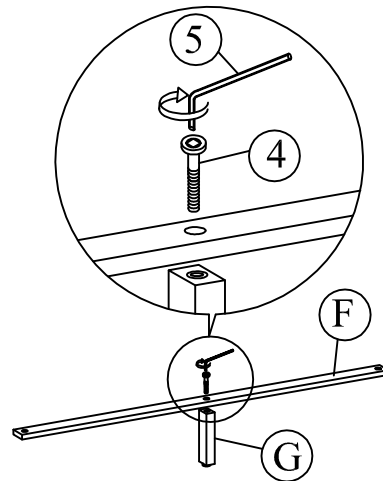
(BOX 2)  
BOX OF FOOTBOARD & SIDE RAIL

NO	ITEM	QTY
C	FOOTBOARD	1 PC
D	SIDE RAIL	2 PCS
E	FOOTBOARD LEG E1 L E2 R	2 PCS
F	SLAT	4 PCS
G	SUPPORT LEG	4 PCS

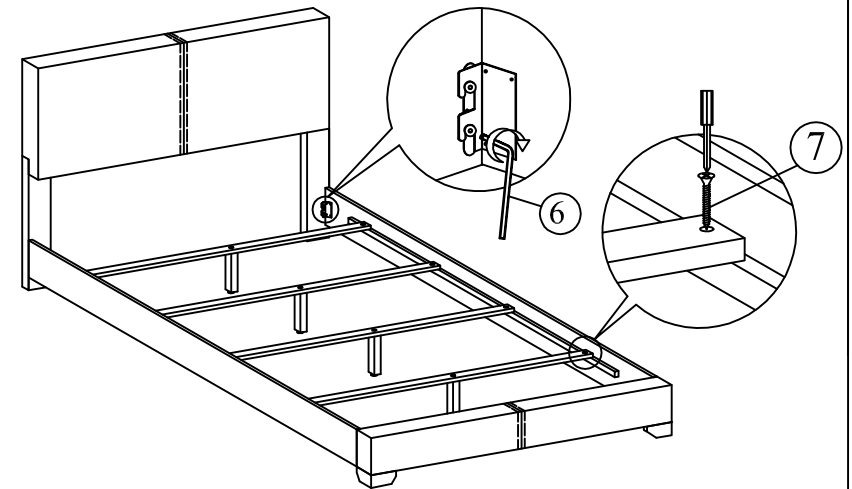
Step 2: Attach side rail (D) to headboard (A) and footboard (C) by pushing the bracket down to fit it.



Step 3: Attach the support legs (G) to the slat (F) of the bed as shown.



Step 4: Tighten the 4 Corner with Allen Key (6). Install the slats to side rail. Tighten the slats with CSK screw (7). The distance of the slats should be sufficient to obtain desirable bed stability.



(BOX 1)  
HARDWARE LIST

NO	ITEM	QTY
1	JCBC M6 x 40MM	6 PCS
2	M4 x 65MM	1 PC
3	SPRING WARHES	6 PCS

(BOX 2)  
HARDWARE LIST

NO	ITEM	QTY
4	JCBC M6 x 40MM	6 PCS
5	M4 x 100 MM	1 PC
6	M5 x 70MM	1 PC
7	FLAT HEAD CHIPBOARD SCREW M4 x 32MM	8 PCS