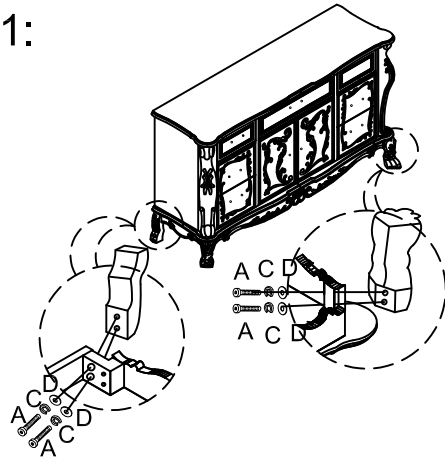
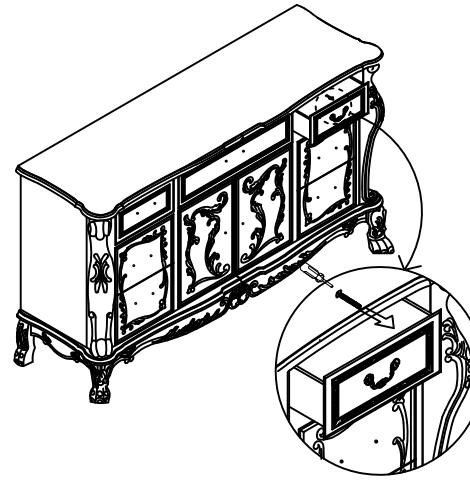


ASSEMBLY INSTRUCTION

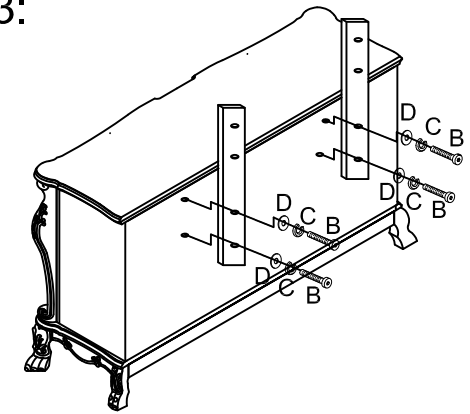
Step 1:



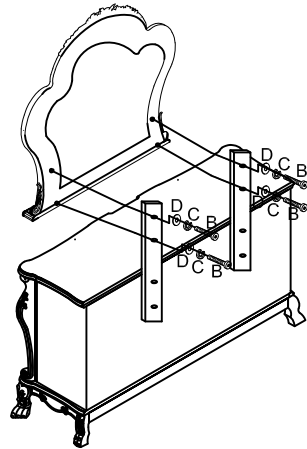
Step 2:



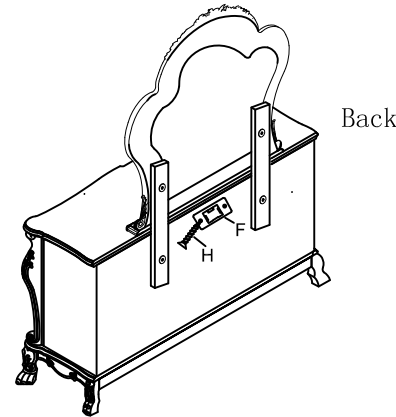
Step 3:



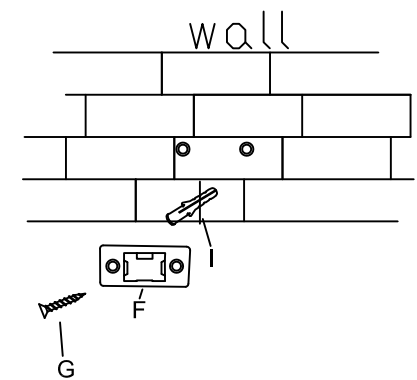
Step 4:



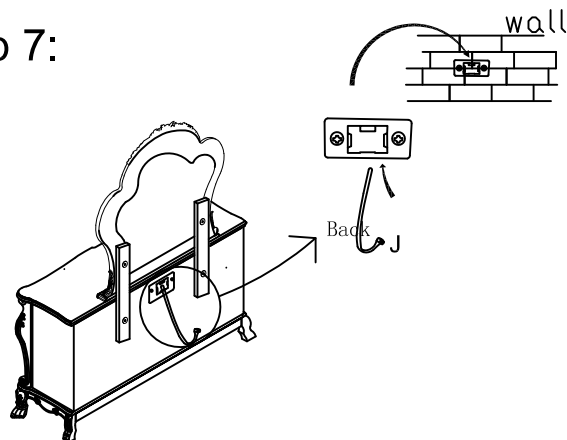
Step 5:



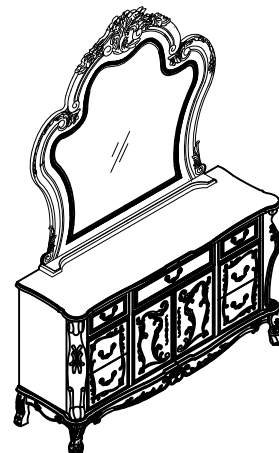
Step 6:



Step 7:



Finish :



Hardware List

No.:	Description	Drawing	Size	Q' ty
A	Bolt		Ø5/16"X2"	8
B	Bolt		Ø5/16"X1-1/4"	8
C	Lock Washer		Ø5/16"X12mm	16
D	Flat Washer		Ø5/16"X19mm	16
E	Allen Wrench		5mm	1
F	Fasten unit		44mmX20mm	2
G	Long Screw		Ø7mmX38mm	2
H	Short Screw		Ø6mmX16mm	2
I	Shrink bolt		Ø5/16"X1-1/2"	2
J	Safety belt		8mmX250mm	1