

ASSEMBLY INSTRUCTIONS

**MODEL : FBQHFR-109A+FBQDWR-109A
+FBQSRR-053D**

REVISION : A

ASSEMBLY TIPS :

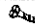







1. Remove hardware from box and sort by size.
2. Please check to see that all hardware and parts are present prior to start of assembly.
3. Please follow attached instructions in the same sequence as numbered to assure fast and easy assembly.

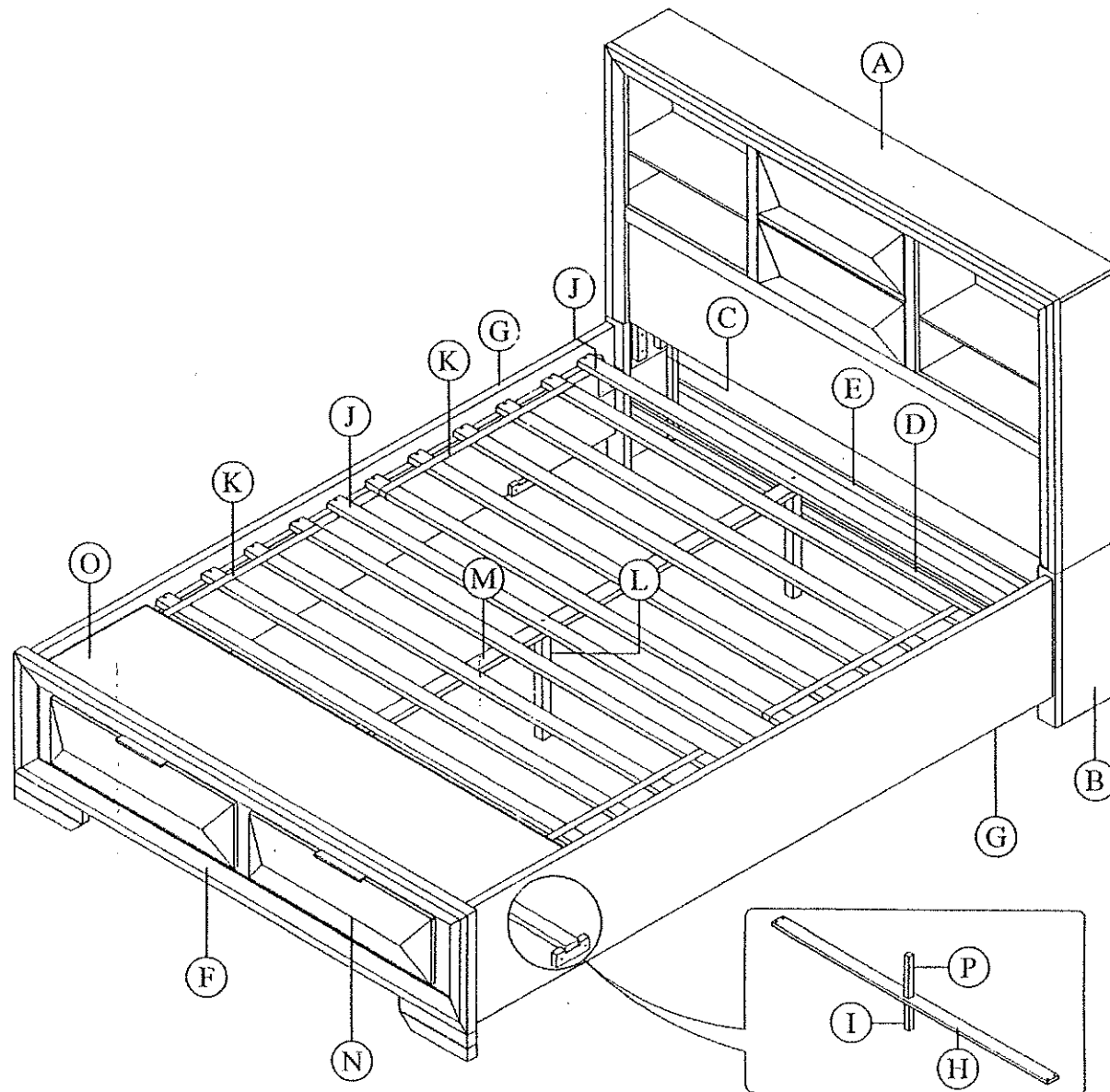
Part List

Headboard & Footboard

| No | Descriptions | Qty |
|----|------------------------------|-----|
| A | Headboard Panel | 1 |
| B | Headboard Leg Right (R) | 1 |
| C | Headboard Leg Left (L) | 1 |
| D | Headboard Support Rail Front | 1 |
| E | Headboard Support Rail Back | 1 |
| F | Footboard | 1 |
| G | Bed Rail | 2 |
| H | Drawer Slat | 1 |
| I | Drawer Slat Support | 1 |
| J | Bed Slat 3 Holes | 3 |
| K | Bed Slat 2 Holes | 10 |
| L | Bed Slat Support | 3 |
| M | Center Slat With 3 Holes | 1 |
| N | Drawer | 2 |
| O | Slat Cover | 1 |
| P | Drawer Slat Support Stopper | 1 |

Hardware List In Headboard & Footboard

| No | Descriptions | Qty |
|----|----------------------------------------------------------------------------------------------------------------------------|-----|
| 1 | CSK M4 x 16mm  | 6 |
| 2 | CSK M4 x 32mm  | 38 |
| 3 | JCBC Screw M6 x 35mm  | 8 |
| 4 | JCBC Screw M6 x 60mm  | 3 |
| 5 | Spring Washer Ø1/4"  | 8 |
| 6 | Flat Washer Ø1/4" x 20mm  | 8 |
| 7 | L Key M4 x 65mm  | 1 |
| 8 | L Key M5  | 1 |



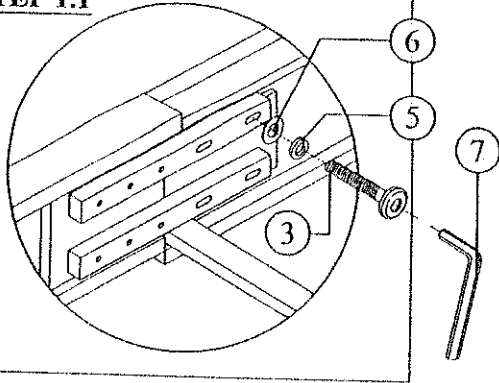
ASSEMBLY INSTRUCTIONS

STEP 1.1: Attach & tighten the headboard leg (B) & (C) to the headboard (A). Affix headboard & headboard leg using JCBC screw M6 x 35mm (3), spring washer (5), flat washer (6) using L key (7).

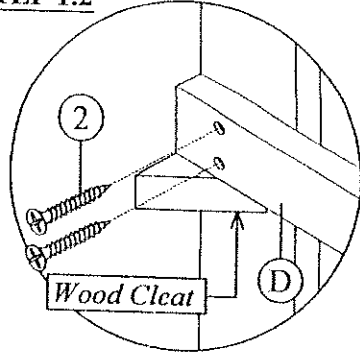
STEP 1.2: Attach headboard support rail front (D) & affix using CSK screw M4 x 32mm (2).

STEP 1.3: Followed by attach headboard back support rail (E) & affix using CSK screw M4 x 32mm (2). (Attach at the top of wood cleat as shown in diagram.)

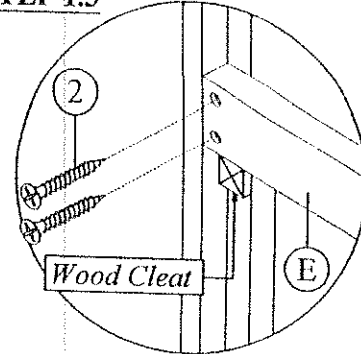
STEP 1.1



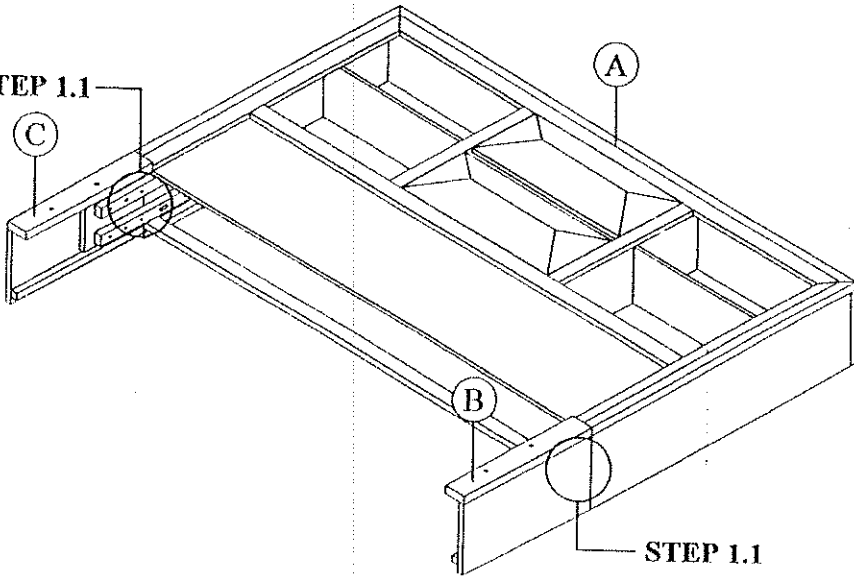
STEP 1.2



STEP 1.3

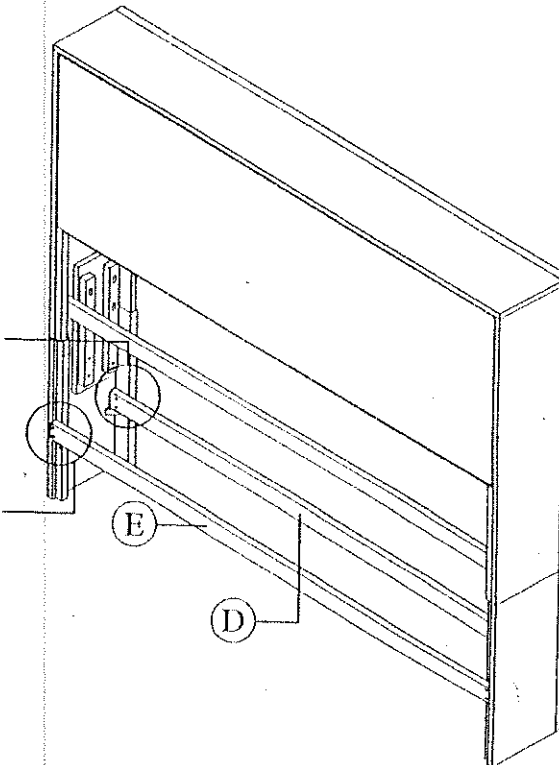


STEP 1.1



STEP 1.2

STEP 1.3



ASSEMBLY INSTRUCTIONS

STEP 2.1: Attach the bed rail (G) to headboard leg.

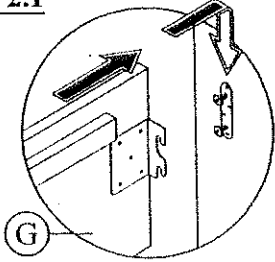
STEP 2.2: Tighten screw on headboard leg by using L key M5 (8) & repeat the same step on footboard (F).

STEP 2.3: Attach the drawer slat (H) each to a drawer slat support (I) and fix with drawer slat support stopper (P).

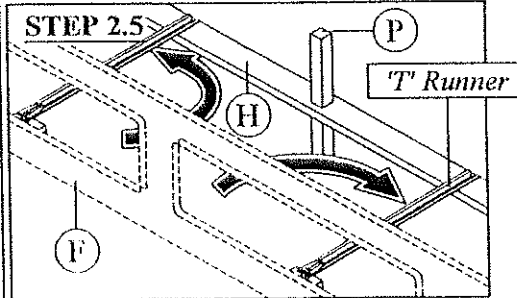
STEP 2.4: Fix the drawer slat (H) to bed rail (G) with CSK M4 x 32mm (2).

STEP 2.5: Move 'T' runner at footboard (F) to drawer slat (H).

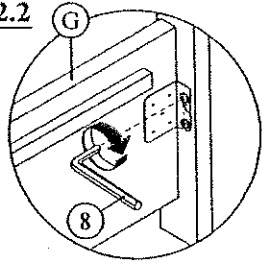
STEP 2.1



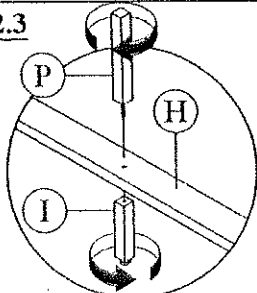
STEP 2.5



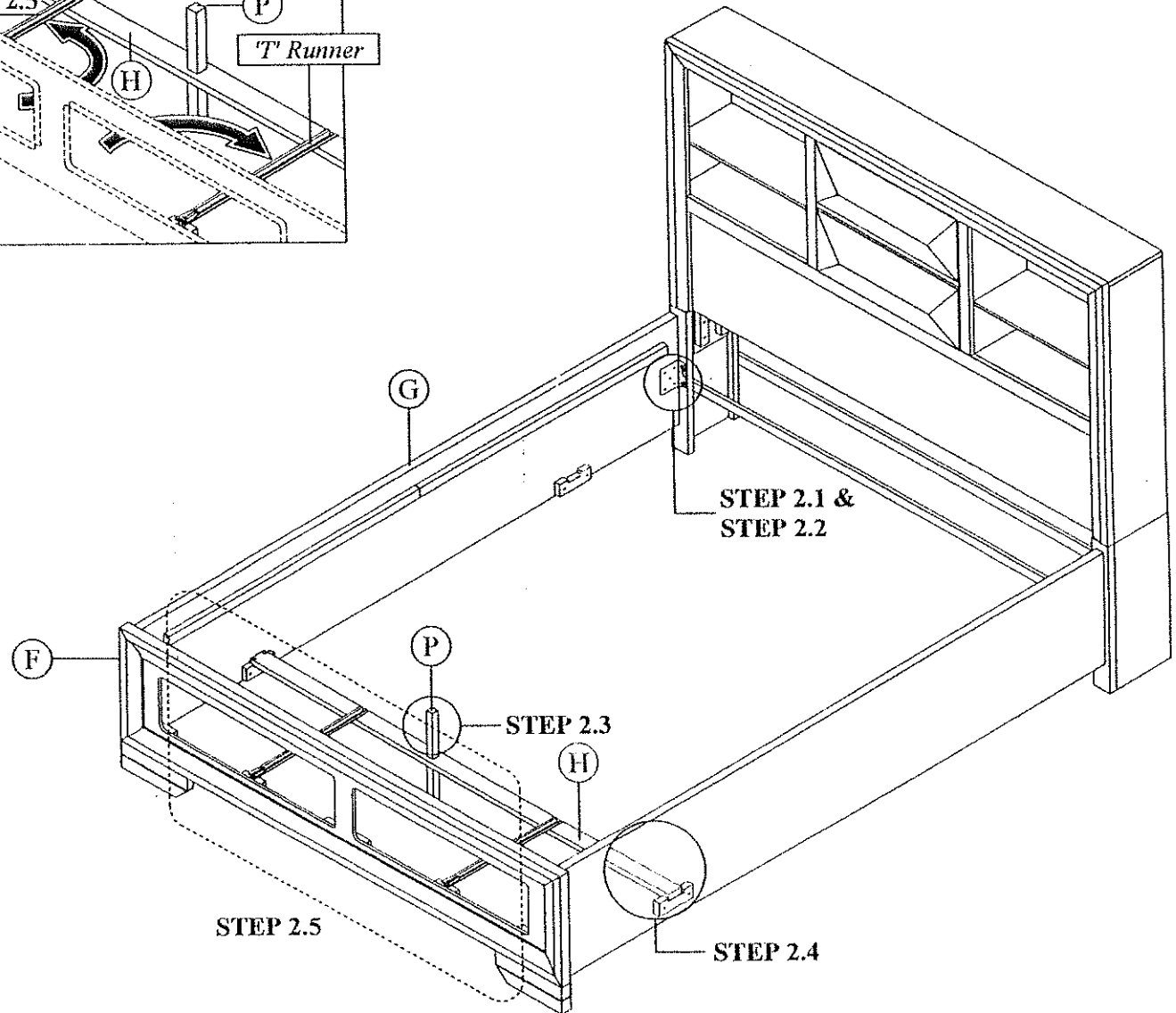
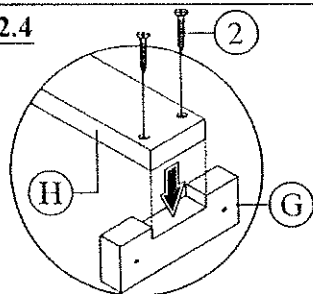
STEP 2.2



STEP 2.3



STEP 2.4

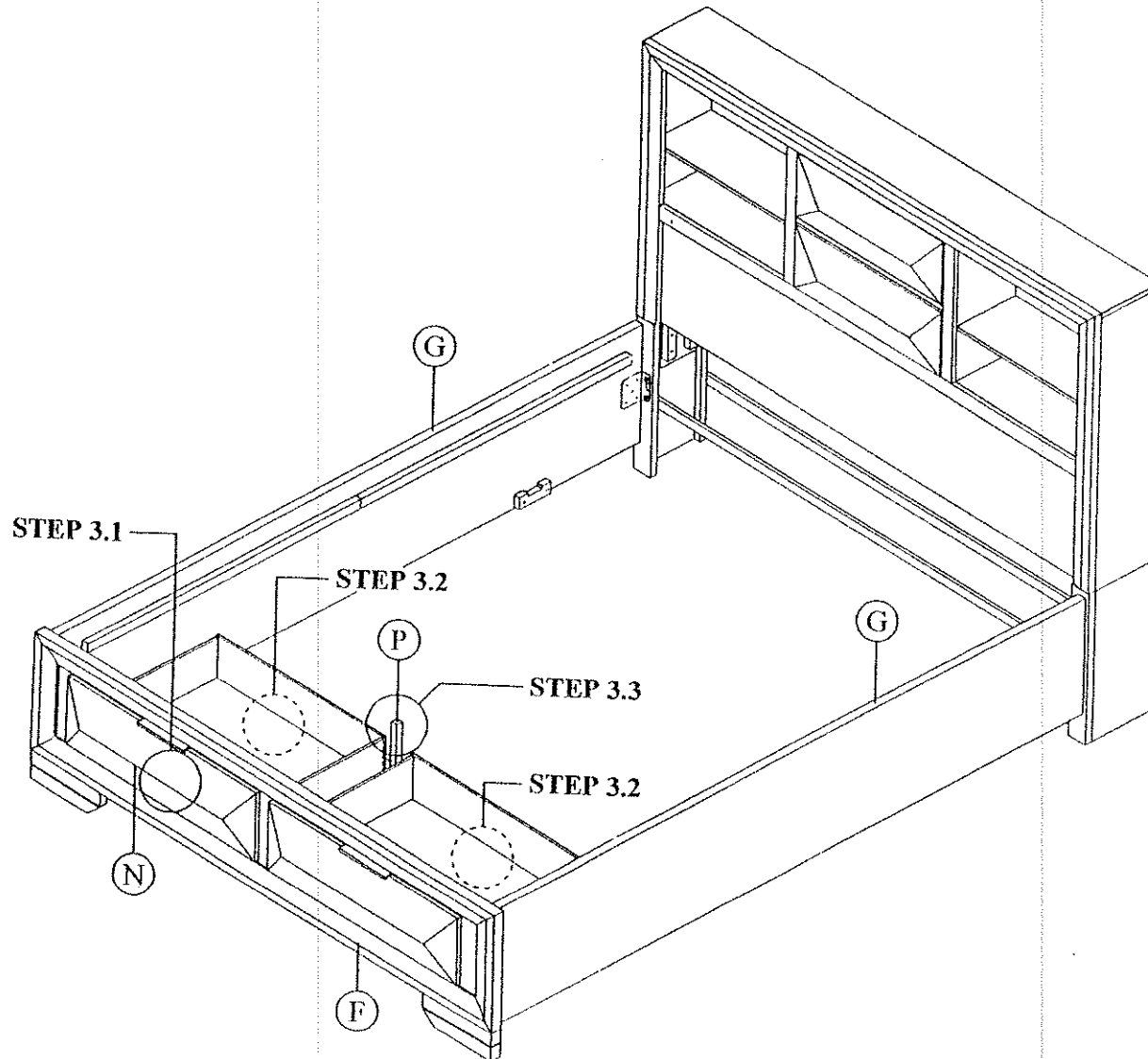


ASSEMBLY INSTRUCTIONS

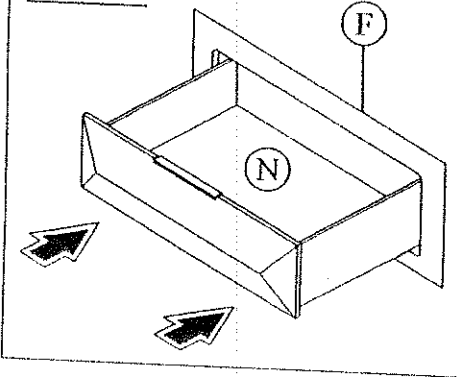
STEP 3.1: Insert drawer (N) to footboard (F) until completely closed.

STEP 3.2: Tighten 'T' runner at footboard (F) to drawer slat (H) with CSK M4 x 16mm (I).

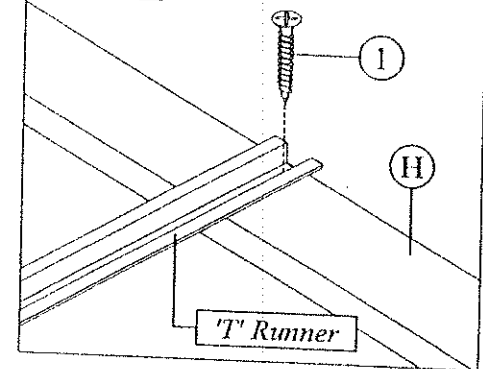
STEP 3.3: If drawer (N) does not close properly, adjust the adjuster at the bottom of drawer slat support (I) up or down until the drawer (N) closes tightly.



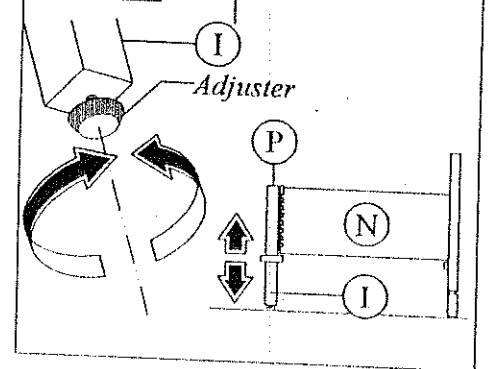
STEP 3.1



STEP 3.2

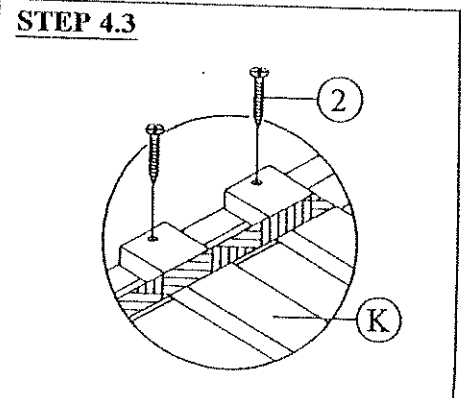
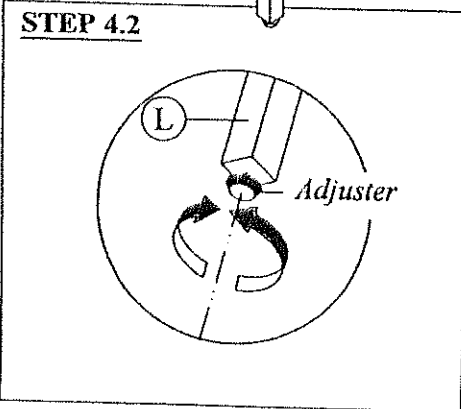
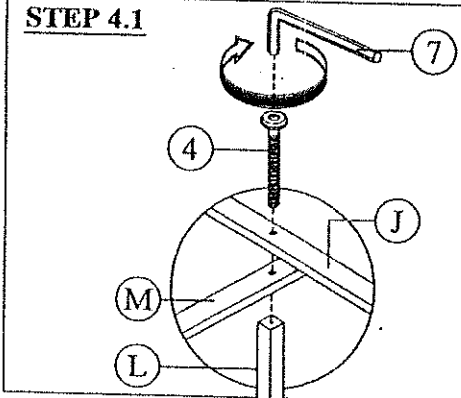
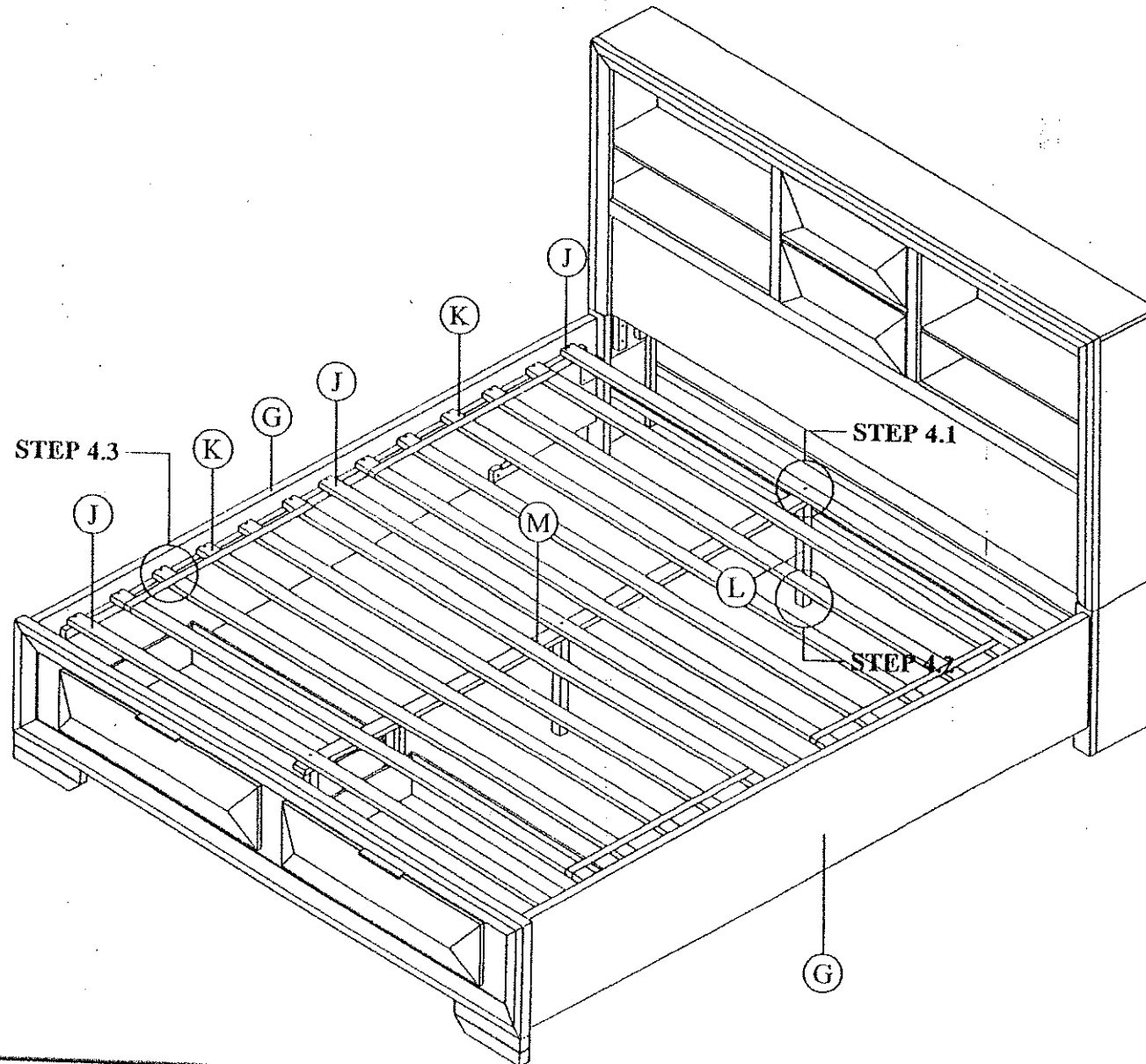


STEP 3.3



ASSEMBLY INSTRUCTIONS

- STEP 4.1: Attach the center slat (M), bed slat (J) to bed slat support (L). Tighten with JCBC M6 x 50mm (4) by using L key M4 (7).
- STEP 4.2: Adjust the adjuster until stable.
- STEP 4.3: Attach bed slat (J) & bed slat (K) and tighten to bed rail (G) with CSK M4 x 32mm (2).



ASSEMBLY INSTRUCTIONS

STEP 5.1: Attach the slat cover (O) to top bed slat.

STEP 5.2: Close the distance slat cover (O) to footboard (F). Tighten slat cover (O) to wood at footboard (F) with CSK M4 x 16mm (1).

