

21710

MODEL : 0016M FULL STORAGE BED

(BOX 1)
BOX OF HEADBOARD & FOOTBOARD

NO	ITEM	QTY
A	Headboard	1
B	Footboard	1
C	Headboard Leg (L/R)	2
D	Triangle Support Panel - 9 x 200 x 200	2
E	Drawer Suppt. Rail - 2	4
F	Support Leg 2 - 30 x 30 x 95mm	1
G	Support Leg 3 - 30 x 30 x 107mm	1

(BOX 1)
HARDWARE LIST

NO	ITEM	QTY
1	FLAT HEAD CHIPBOARD SCREW m4 x 32mm RBW	8
2	PARTIAL CHIPBOARD SCREW m3.5 x 20mm BLK	8
3	KCHC BOLT 35MM BLK M6 x	4
4	KCHC BOLT 50MM BLK M6 x	2

(BOX 2)
BOX OF SIDERAIL

NO	ITEM	QTY
H	Side Rail	2
I	Bed Slat	3
J	Fitboard Drawer Frame	1
K	Concealed Panel	4
L	Headboard Back Support - 20 x 30 x 1405mm	1
M	Drawer Suppt. Rail - 1	1
N	Support Leg 1 - 20 x 30 x 518mm	5
O	Headboard Back Support -ht 18 x 45 x 40	1
P	Bed Slat with marking	2

5	SPRING WASHER 1/4" RBW	6
6	FLAT WASHER 1/4" ID x 13mm OD BLK	6
7	ALLEN KEY m4 x 110mm BLK	1

(BOX 2)
HARDWARE LIST

NO	ITEM	QTY
8	FLAT HEAD CHIPBOARD SCREW m4 x 32mm RBW	16
9	PARTIAL CHIPBOARD SCREW m3.5 x 20mm BLK	22
10	KCHC BOLT 35MM BLK M6 x	15
11	KCHC BOLT 50MM BLK M6 x	6
12	SPRING WASHER RBW 1/4"	15
13	FLAT WASHER 1/4" ID x 13mm OD BLK	15
14	Z-BRACKET	1
15	ALLEN KEY m4 x 110mm BLK	1

(BOX 3 & 4)
BOX OF PART & HARDWARE

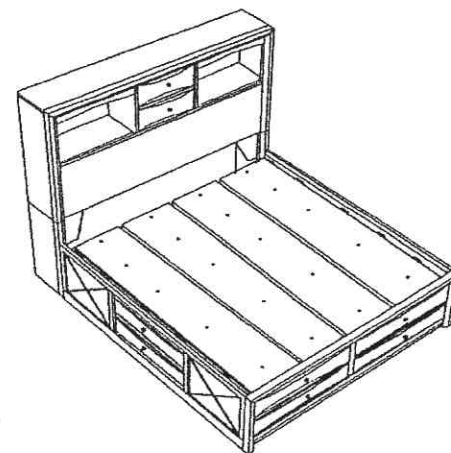
NO	ITEM	QTY
Q	Drawer - 1	4
R	Drawer - 2	2
16	HANDLE	8
17	THREAD M SCREW HANDLE M4 x 485MM BLK	4
18	THREAD M SCREW HANDLE M4 x 50MM BLK	4

(BOX 1)
BOX OF HEADBOARD

NO	ITEM	QTY
A1	Headboard Drawer	2

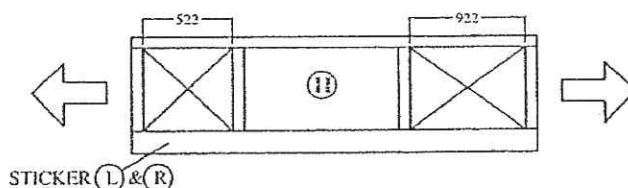
REMARK!!!

* DRAWER 1 (P) & 2 (Q) ARE IDENTICAL AND COULD BE USED IN COMMON, REGARDLESS LEFT OR RIGHT.



ATTACH TO HEADBOARD

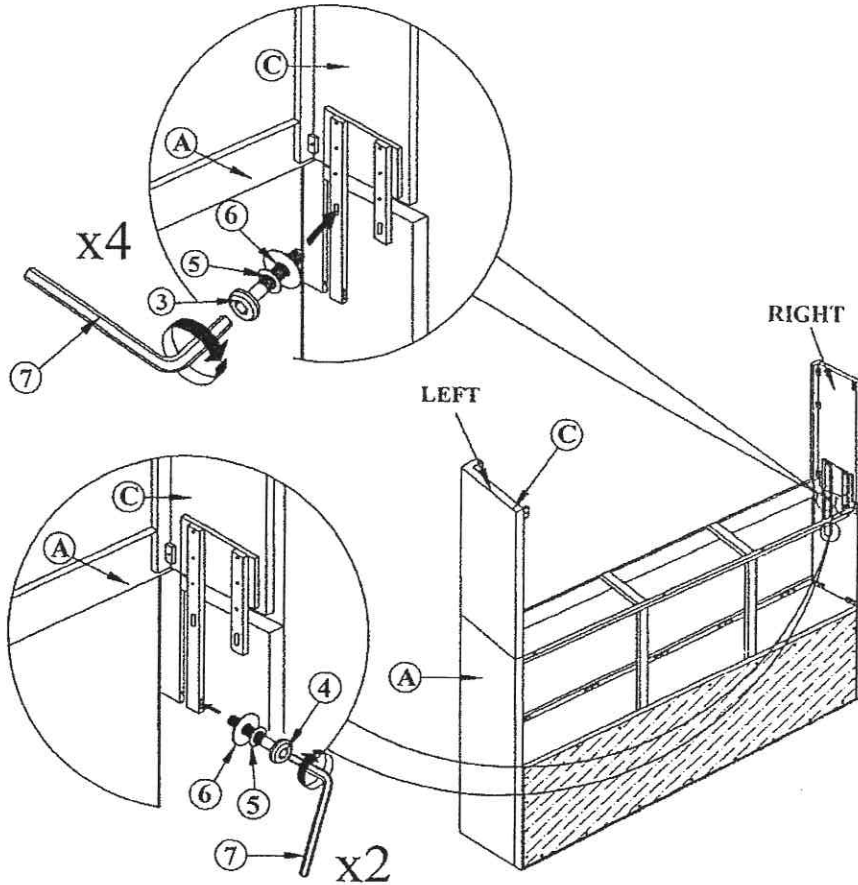
ATTACH TO FOOTBOARD



NOTE : DURING ASSEMBLY, DO NOT TIGHTEN ANY HARDWARE UNTIL THE COMPLETE UNIT HAS BEEN ASSEMBLED.

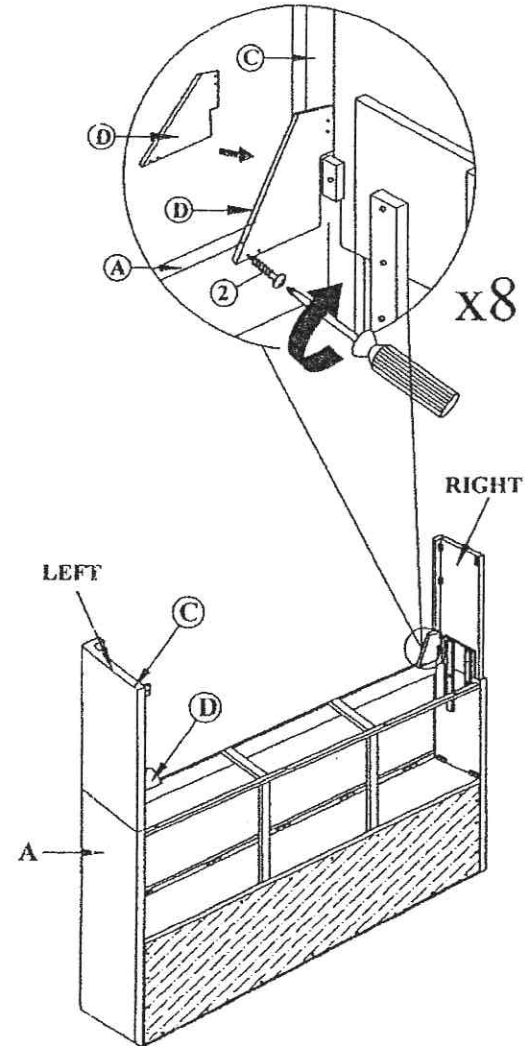
ASSEMBLY INSTRUCTIONS

STEP 1 : Attached and tighten the Headboard Leg L/R (C) to the Headboard (A).Insert Spring Washer (5) Flat Washer (6),use JCBC Bolt (3) to fix with Allen Key (7).



STEP 2 : Attached and tighten the Headboard Leg L/R (C) to the Headboard (A).Insert Spring Washer (5) Flat Washer (6),use JCBC Bolt (4) to fix with Allen Key (7).

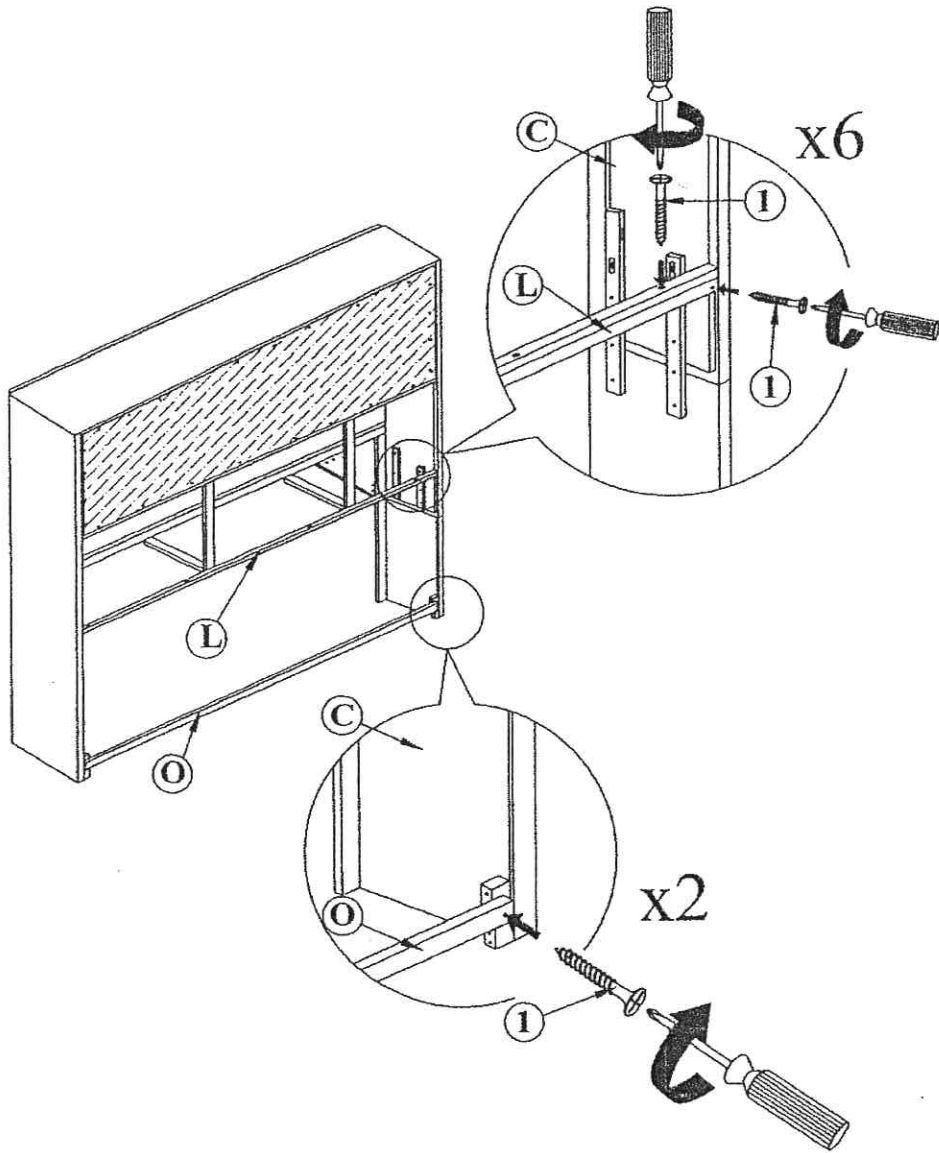
STEP 3 : Attached and tighten the Triangle Support Panel (D) to the Headboard and fix the Panhead Screw (2) using Screw Driver.(Not Included)



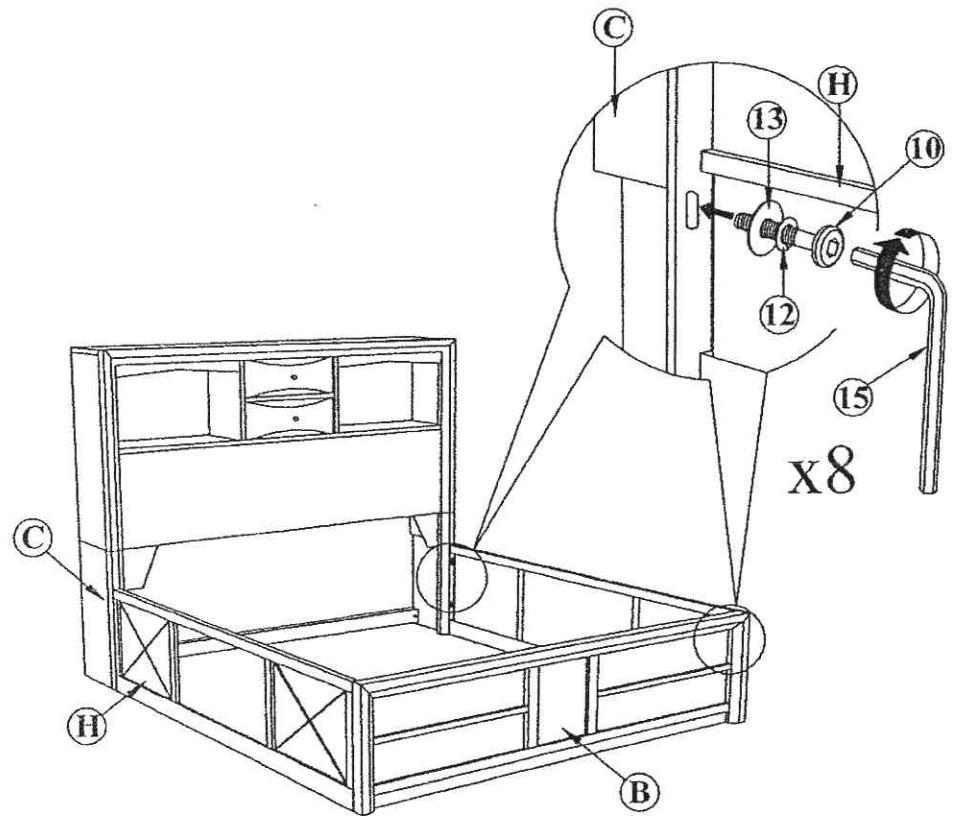
NOTE : MUST TIGHTEN SCREWS PERIODCALLY WITH USE SCREW WILL BECOME LOOSE CHECK TIGHTNESS OF ALL SCREW EVERY 6-8 WEEKS.

ASSEMBLY INSTRUCTIONS

STEP 4 : Attach Headboard Back Support (L) and (O) follow the picture. Fix the CSK Screw (1) using a Screw Driver. (Not Included)



STEP 5 : Attach the Side Rail (H) to the Headboard Leg (C) and Footboard (B). Insert Spring Washer (12), Flat Washer (13), use JCBC Bolt (10) to fix with Allen Key (15).

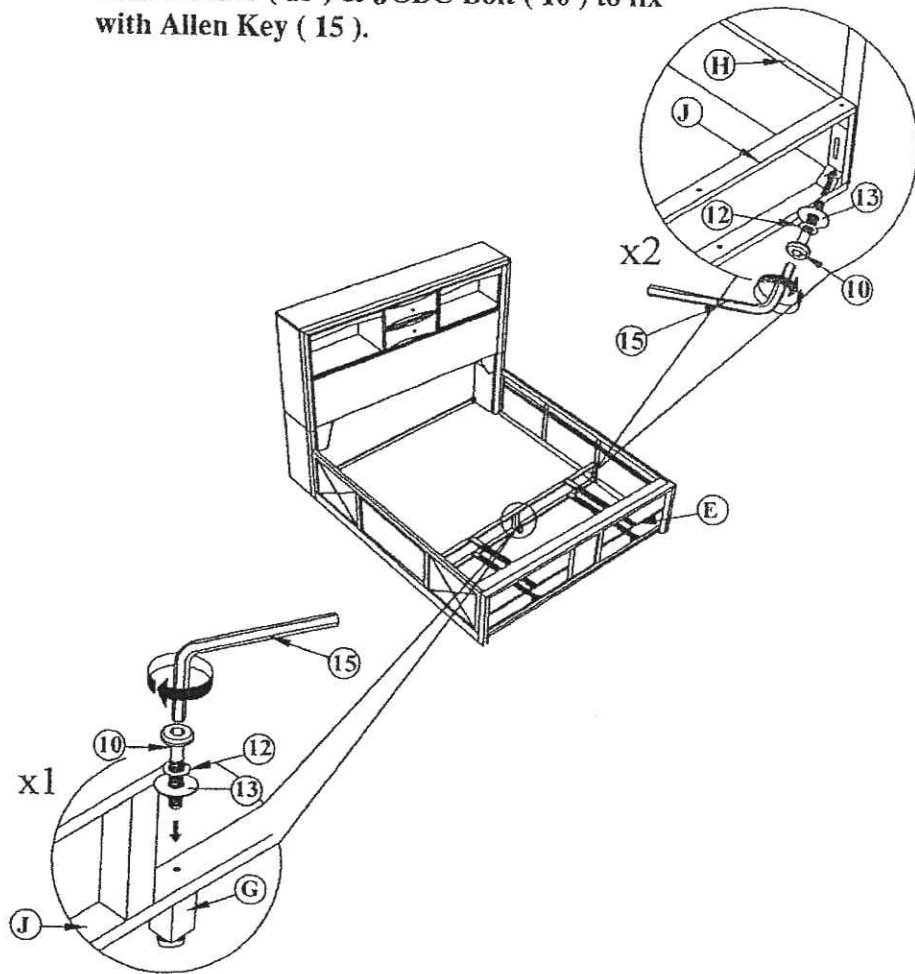


NOTE : MUST TIGHTEN SCREWS PERIODCALLY WITH USE SCREW WILL BECOME LOOSE CHECK TIGHTNESS OF ALL SCREW EVERY 6-8 WEEKS.

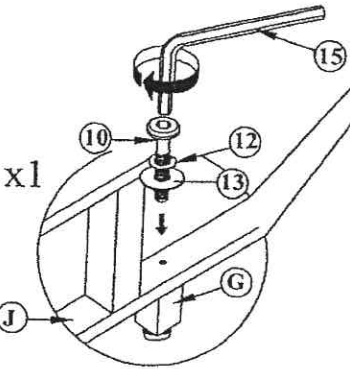
PAGE 3 OF 7

ASSEMBLY INSTRUCTIONS

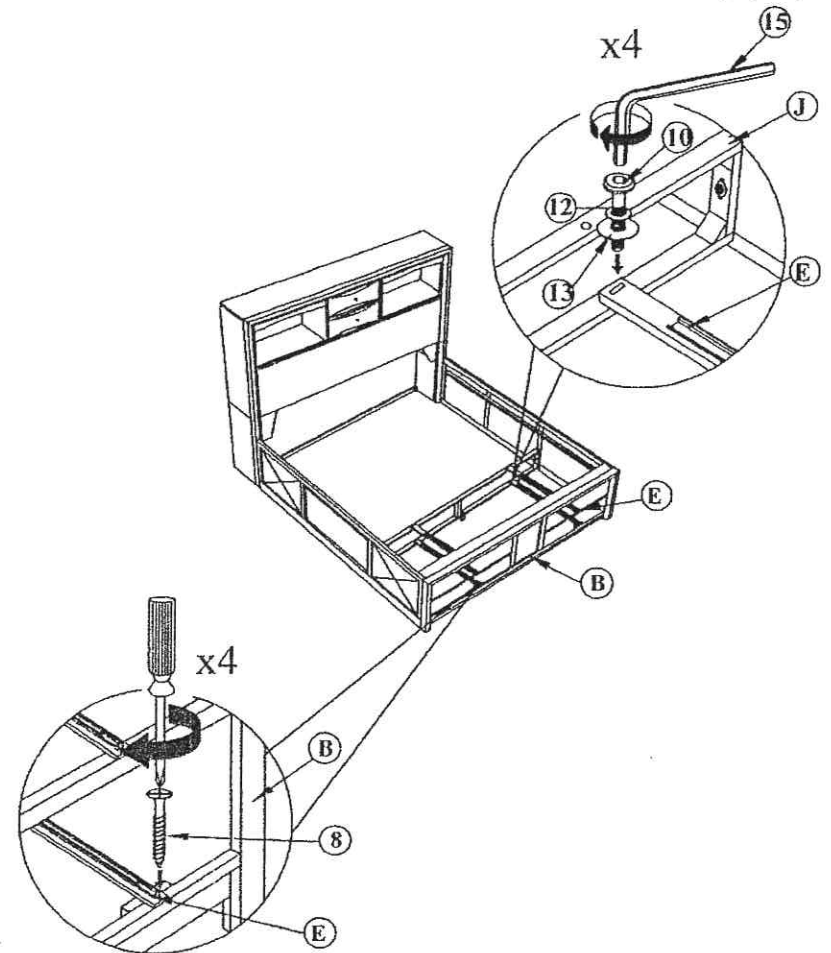
STEP 6 : Attach the Footboard Drawer Frame (J) to the Side Rail (H). Insert Spring Washer (12), Flat Washer (13) & JCBC Bolt (10) to fix with Allen Key (15).



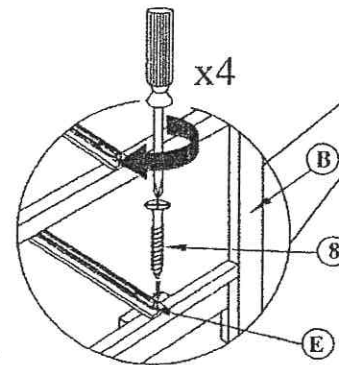
STEP 7 : Attach Support Leg 3 (G) to the Footboard Drawer Frame (J). Insert Spring Washer (12), Flat Washer (13) & JCBC Bolt (10) to fix with Allen Key (15).



STEP 8 : Attach the Drawer Support Rail (E) to the Footboard Drawer Frame (J). Insert Spring Washer (12), Flat Washer (13) & JCBC Bolt (10) to fix with Allen Key (15).



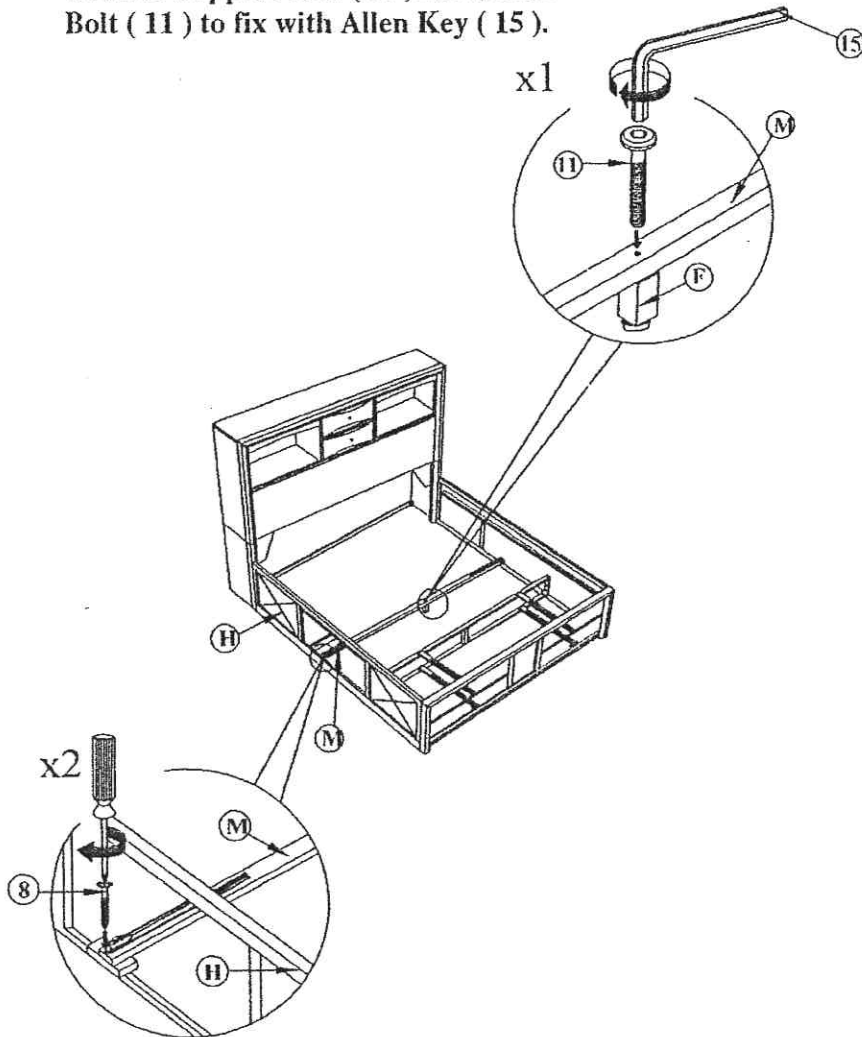
STEP 9 : Attach the Drawer Support Rail (E) to the Footboard (B) using CSK Screw (8) and tighten with Screw Driver. (Not Included)



NOTE : MUST TIGHTEN SCREWS PERIODICALLY WITH USE SCREW WILL BECOME LOOSE CHECK TIGHTNESS OF ALL SCREW EVERY 6-8 WEEKS.

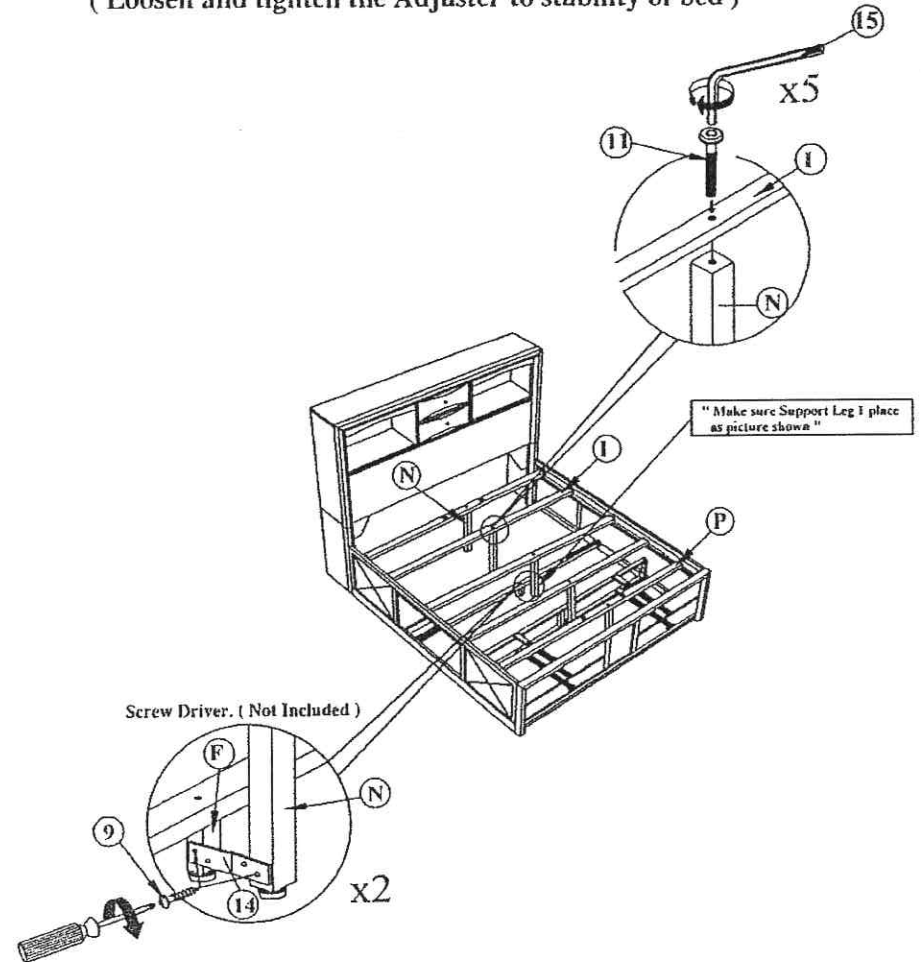
ASSEMBLY INSTRUCTIONS

STEP 10 : Attach Support Leg 2 (F) to the Drawer Support Rail (M). Use JCBC Bolt (11) to fix with Allen Key (15).



STEP 11 : Attach Drawer Support Rail (M) to the Side Rail (H) using Csk Screw (8) and tighten with Screw Driver.(Not Included)

Step 12 : Attach Bed Slat (I) & (P) to the Bed Slat Support (N). Use JCBC Bolt (11) to fix with Allen Key (15). (Loosen and tighten the Adjuster to stability of bed)

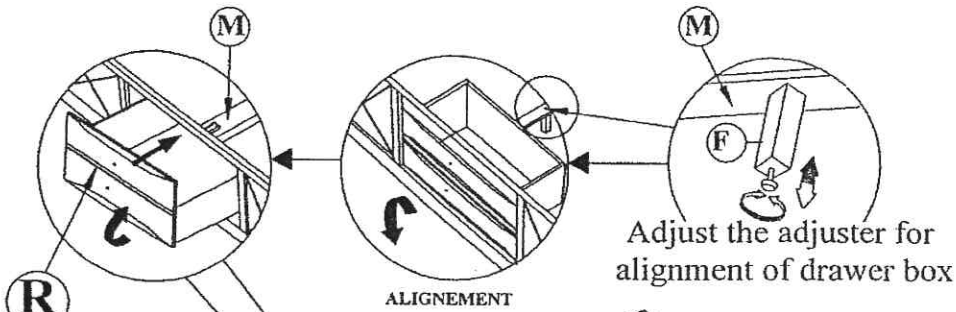


STEP 13 : Attach Z-Bracket (14) to the Bed Slat Support (N) and Support Leg 2 (F). Use Panhead Screw (9) and tighten with screw driver (not included)

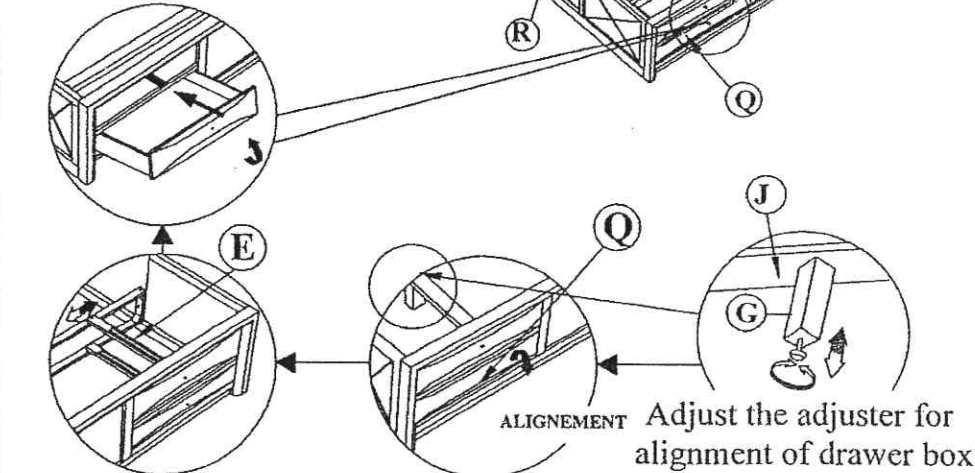
NOTE : MUST TIGHTEN SCREWS PERIODCALLY WITH USE SCREW WILL BECOME LOOSE CHECK TIGHTNESS OF ALL SCREW EVERY 6-8 WEEKS.

ASSEMBLY INSTRUCTIONS

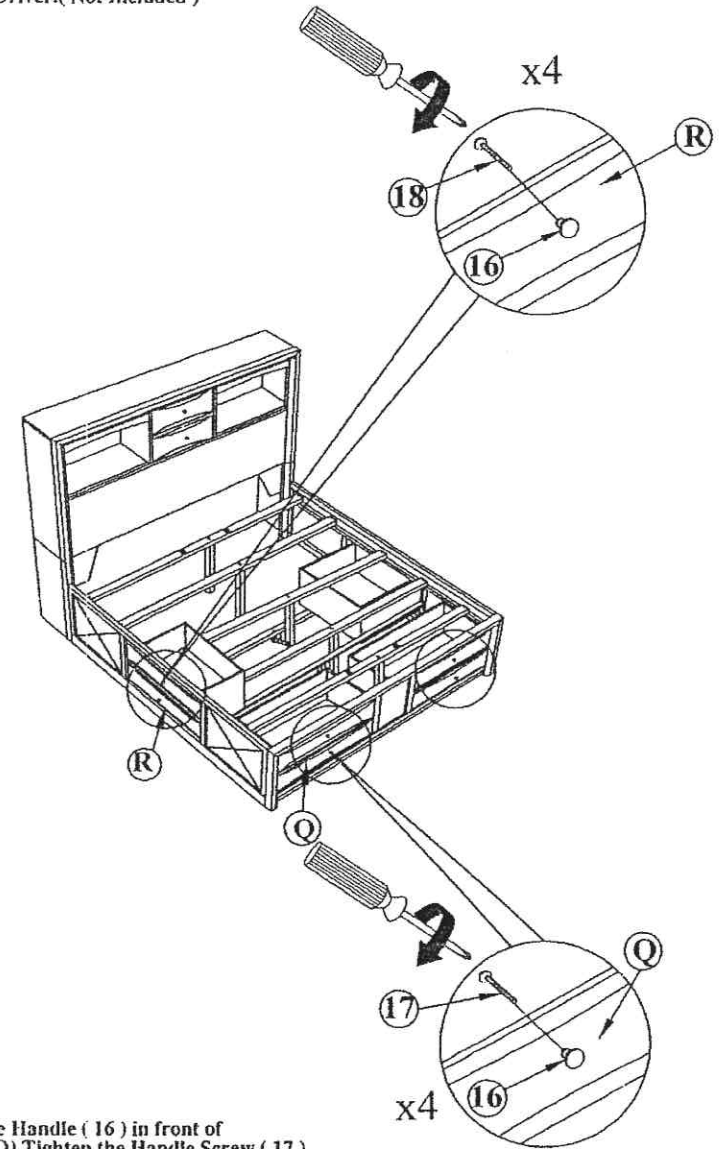
STEP 14 : Attach Drawer-2 (R) on Drawer Support Rail -1 (M).



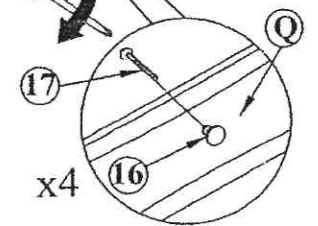
STEP 15 : Attach Drawer-1 (Q) on Drawer Support Rail -2 (E).



STEP 16 : Install the Handle (16) in front of drawer (R). Tighten the Handle Screw (18) using Screw Driver.(Not Included)



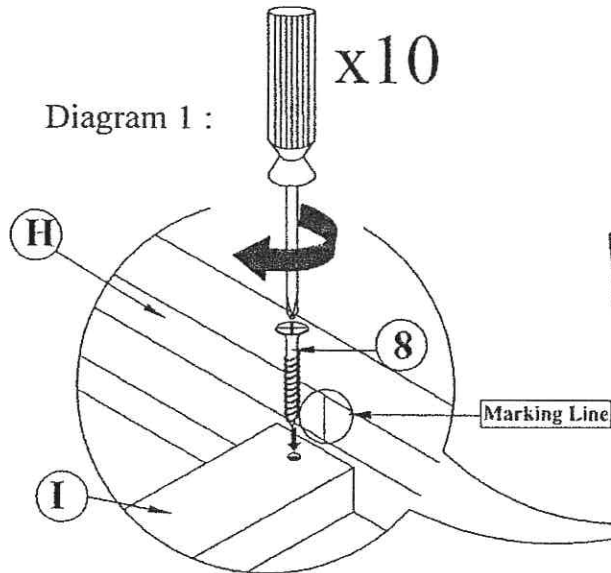
STEP 17 : Install the Handle (16) in front of drawer (Q). Tighten the Handle Screw (17) using Screw Driver.(Not Included)



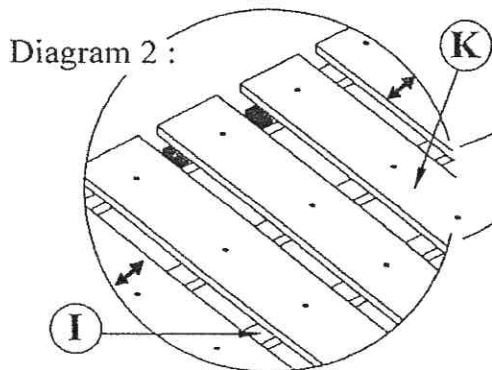
NOTE : MUST TIGHTEN SCREWS PERIODCALLY WITH USE SCREW WILL BECOME LOOSE CHECK TIGHTNESS OF ALL SCREW EVERY 6-8 WEEKS.

ASSEMBLY INSTRUCTIONS

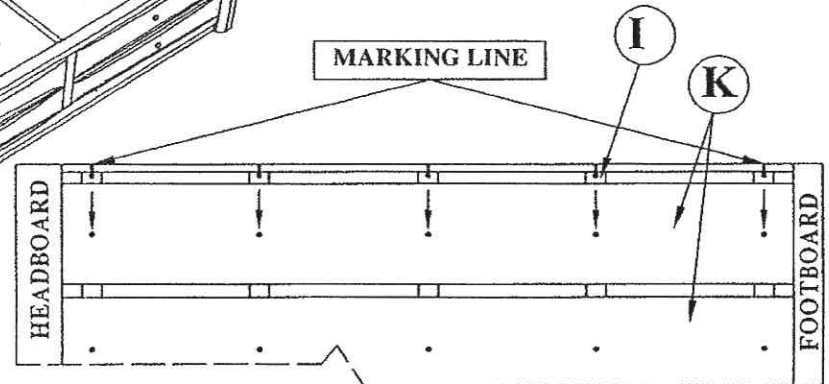
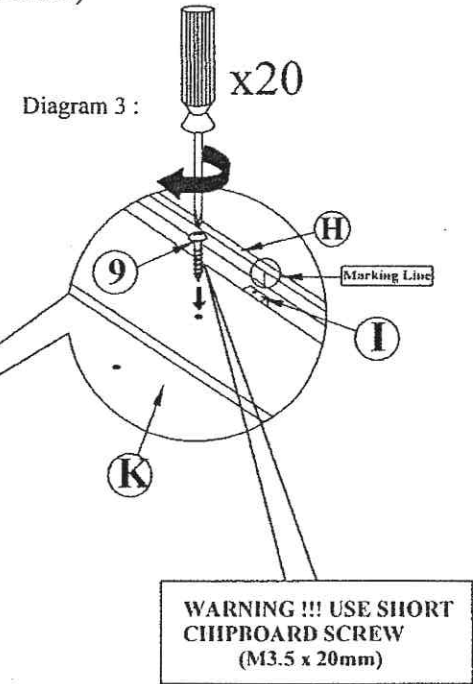
STEP 18 : Push the Side Rail (H) with Bed Slat (I) and tighten with CSK Screw (8) by using Screw Driver.(Not Included)
(Make sure follow the center Marking Line as shown)



STEP 19 : Realign the Concealed Panel Slat (K) to the diagram as shown.



STEP 20 : Attach Concealed Panel Slat (K) at the Upper Bed Slat (I) using Panhead Screw (9) and tighten with Screw Driver. (Not Included)



TIGHTEN THE PANHEAD SCREW (9) BY FOLLOW THE ARROW AS SHOWN

NOTE : MUST TIGHTEN SCREWS PERIODCALLY WITH USE SCREW WILL BECOME LOOSE CHECK TIGHTNESS OF ALL SCREW EVERY 6-8 WEEKS.

PAGE 7 OF 7