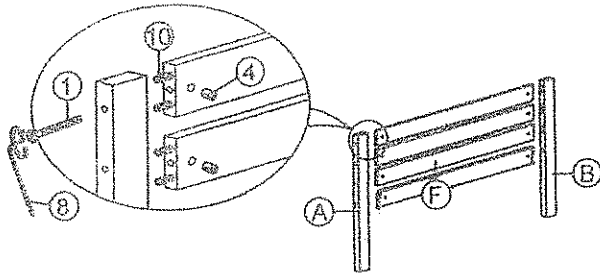


# MODEL : GRAND ECO TWIN BED ASSEMBLY INSTRUCTIONS

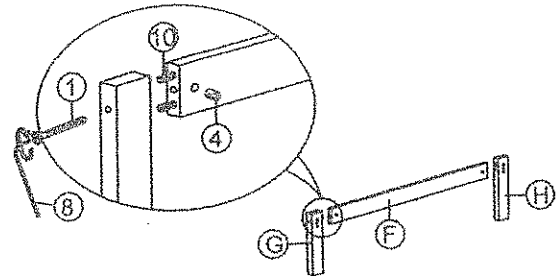
PART LIST		
ITEM	DESCRIPTION	QTY.
A	HEADBOARD POST (LEFT SIDE)	1 PC
B	HEADBOARD POST (RIGHT SIDE)	1 PC
C	SIDE RAIL (LEFT SIDE)	2 PCS
D	SIDE RAIL (RIGHT SIDE)	2 PCS
E	CENTER LEG	2 PCS
F	HEADBOARD/FOOTBOARD RAIL	5 PCS
G	FOOTBOARD POST (LEFT SIDE)	1 PC
H	FOOTBOARD POST (RIGHT SIDE)	1 PC
I	BED SLATS	2 SETS

HARDWARE LIST		
ITEM	DESCRIPTION	QTY.
1	JCBC M6 X 14MM	16 PCS
2	JCBC SCREW M6 x 70MM	8 PCS
3	JCBC M6 X 25MM	8 PCS
4	BARREL NUT M6 X 15MM	16 PCS
5	JCN NUT M6	8 PCS
6	WOOD DOWEL M10 X 30MM	4 PCS
7	CSK SCREW M4 X 25MM	24 PCS
8	M4 L KEY	1 PC
9	WOOD DOWEL M5 X 20MM	4 PCS
10	WOOD DOWEL M8 X 30MM	20 PCS
11	WOOD BUTTON	18PCS

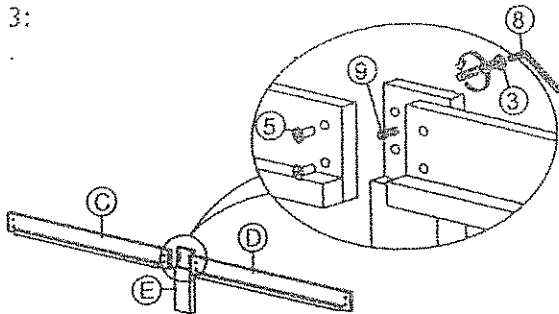
Step 1:



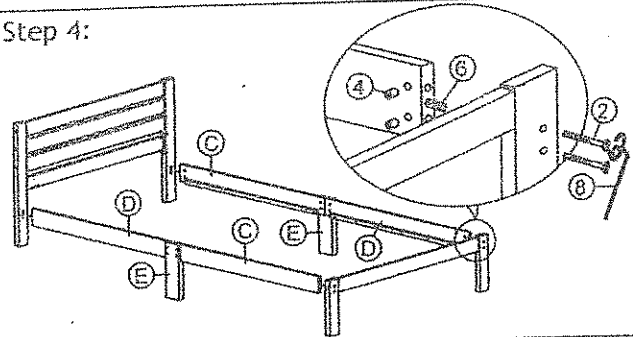
Step 2:



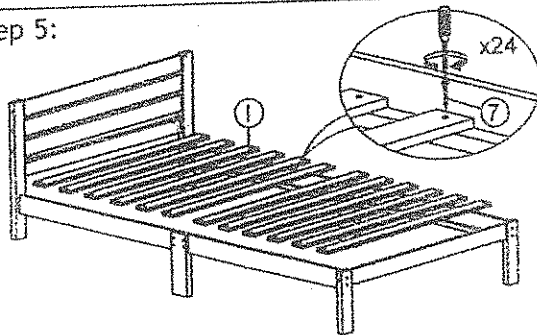
Step 3:



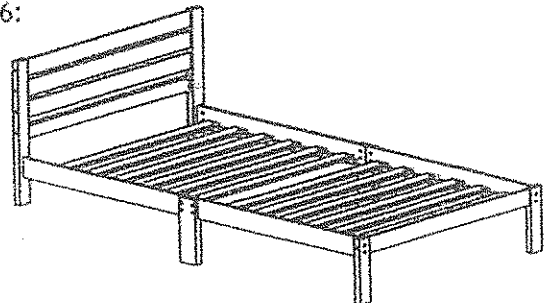
Step 4:



Step 5:



Step 6:



## IMPORTANT NOTE :

\* This page lists all the contents included in the box. Please take time to identify the hardware as well as the individual components to this product. As you unpack and prepare for assembly, place the contents on a carpeted or padded area to protect them from damage.

- \* Place all wooden parts on a clean and smooth surface such as a rug or carpet to avoid the parts from being scratched.
- \* Check to be sure that you have all parts and hardware.
- \* Remove all wrapping materials, including staples & packing straps before you start to assemble.
- \* Do not tighten all screws bolts until all completely assembled.
- \* Keep all hardware parts out of reach of children.

## CLEANING & CARE :

Treat surface with care. Surface is resistant to scratches but is not scratch resistant. Clean surface with dry or damp soft cloth. Do not use abrasive cleaners. Hardware may loosen over time. Periodically check that all connections are right.