
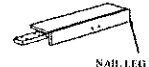
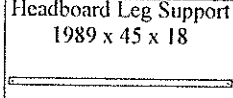


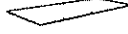
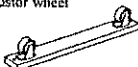
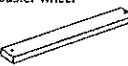
# ASSEMBLY INSTRUCTIONS

MODEL : 0136A  
KING STORAGE BED



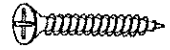


**(Box 1)**  
BOX OF HEADBOARD

No	ITEM	Qty
A	Headboard 	1 pc
B	Headboard Left & Right 	2 pcs
B.1	Headboard Leg Support 1989 x 45 x 18 	1 pc




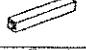



**(Box 2)**  
BOX OF FOOTBOARD

No	ITEM	Qty
J	Trundle Drawer Bottom Panel 	2 pcs
K	Trundle Drawer Bottom Support with custer wheel 	4 pcs
L	Trundle Drawer Bottom Support without custer wheel 	4 pcs

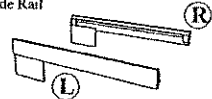
**(Box 2)**  
HARDWARE LIST

No	ITEM	Qty
5	K1536 D34mmx1422mm Handle Antique Brass 	4 pcs
6	Handle Screw m4x35mm Blk 	4 pcs
7	Flat Head Chipboard Screw m4x32mm Rbw 	24 pcs
8	Pan Head Chipboard Screw m3.5x16mm Blk 	12 pcs
9	Wood Dowel 6mmx30mm 	16 pcs





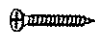
**(Box 2)**  
BOX OF FOOTBOARD

No	ITEM	Qty
C	Footboard 	1 pc
D	Slat 1949 x 45 x 18 	9 pcs
E	Center Slat - L1500 x 45 x 18 	2 pcs
F	Slat Support - L320 x 30 x 30 	4 pcs
G	Trundle Drawer Front Panel 	2 pcs
H	Trundle Drawer Side Panel 	4 pcs
I	Trundle Drawer Back Panel 	2 pcs

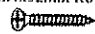



**(Box 3)**  
BOX OF FOOTBOARD

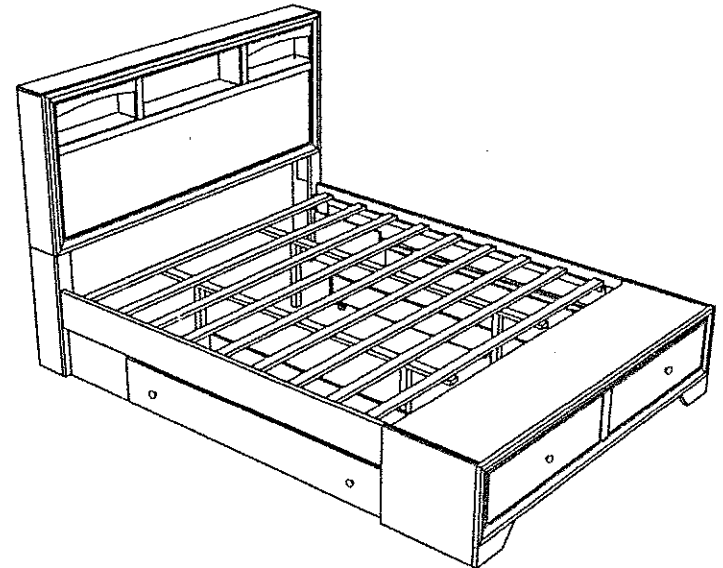
No	ITEM	Qty
M	Side Rail 	2 pcs

**(Box 1)**  
HARDWARE LIST

No	ITEM	Qty
1	JCBC M6 x 35mm 	8 pcs
2	SPRING WASHER 1/4" Rbw 	8 pcs
3	Flat Washer 1/4"ID x 19mmOD Blk 	8 pcs
4	ALLEN KEY m4x65mm Blk 	1 pc
4.1	Flat Head Chipboard Screw m4x32mm Rbw 	2 pcs

**(Box 2)**  
HARDWARE LIST

No	ITEM	Qty
10	Flat Head Chipboard Screw m4x32mm Rbw 	18 pcs
11	JCBC M6 x 50mm 	4 pcs
12	ALLEN KEY m4x65mm Blk 	1 pc
13	ALLEN KEY m5x65mm Blk 	1 pc

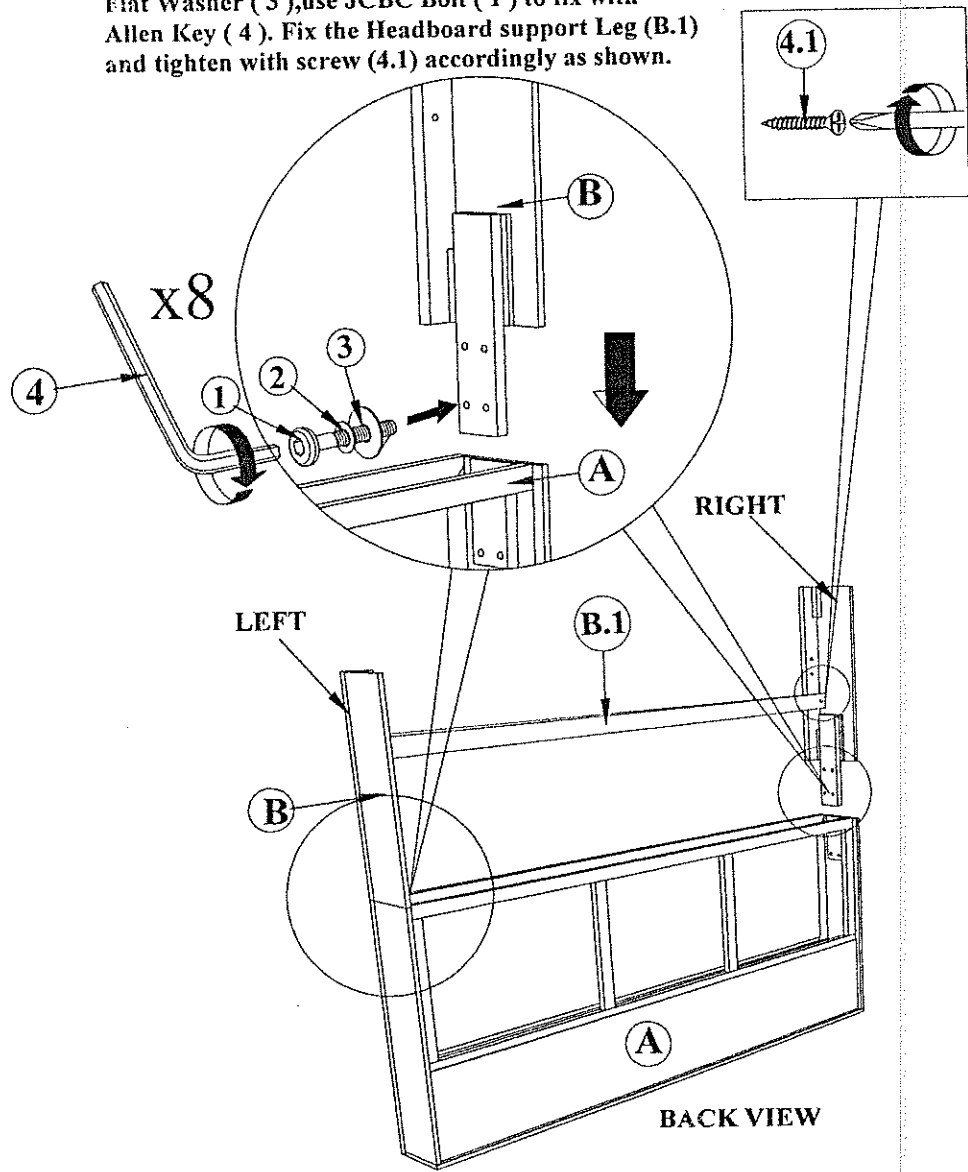


**NOTE : DURING ASSEMBLY, DO NOT TIGHTEN ANY HARDWARE UNTIL THE COMPLETE UNIT HAS BEEN ASSEMBLED.**

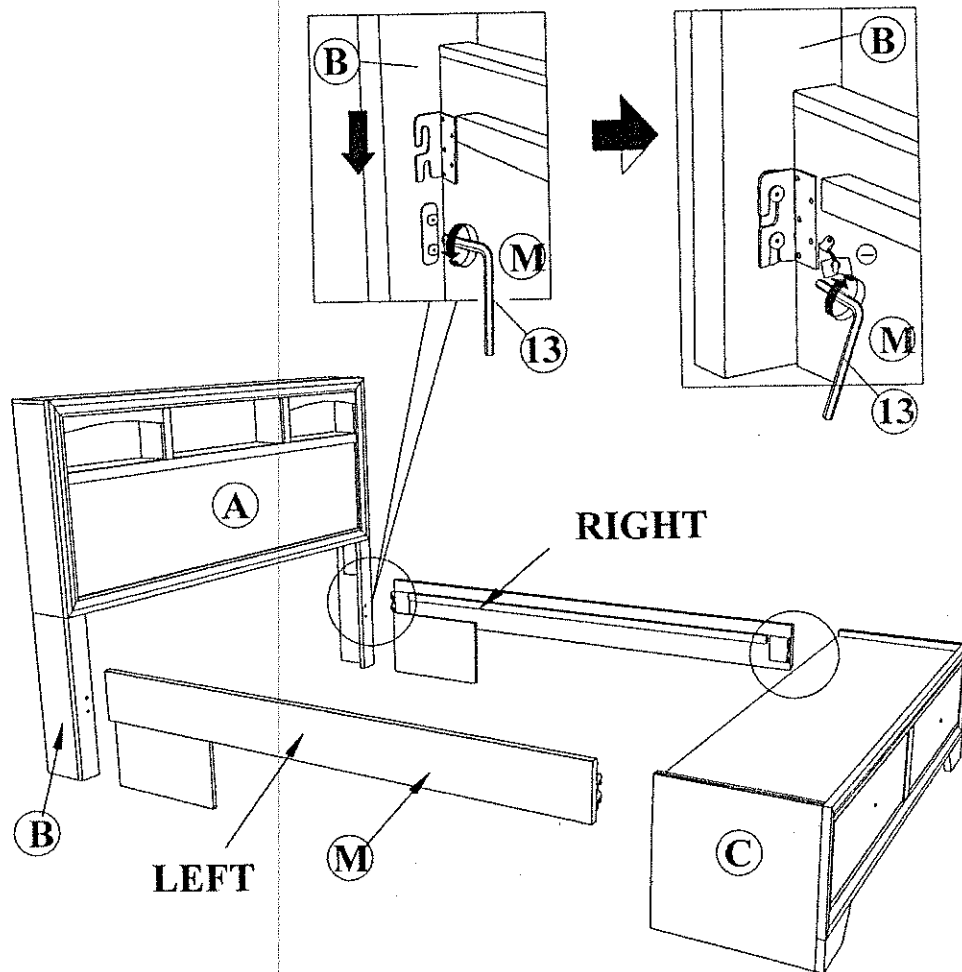
NOTE : MUST TIGHTEN SCREWS PERIODCALLY. SCREW NATURALLY LOOSEN WITH USE. CHECK TIGHTNESS OF ALL SCREW EVERY 6-8 WEEKS.

# ASSEMBLY INSTRUCTIONS

**STEP 1 :** Attached and tighten the Headboard Leg L/R ( B ) to the Headboard ( A ).Insert Spring Washer ( 2 ) Flat Washer ( 3 ),use JCBC Bolt ( 1 ) to fix with Allen Key ( 4 ). Fix the Headboard support Leg ( B.1) and tighten with screw ( 4.1) accordingly as shown.



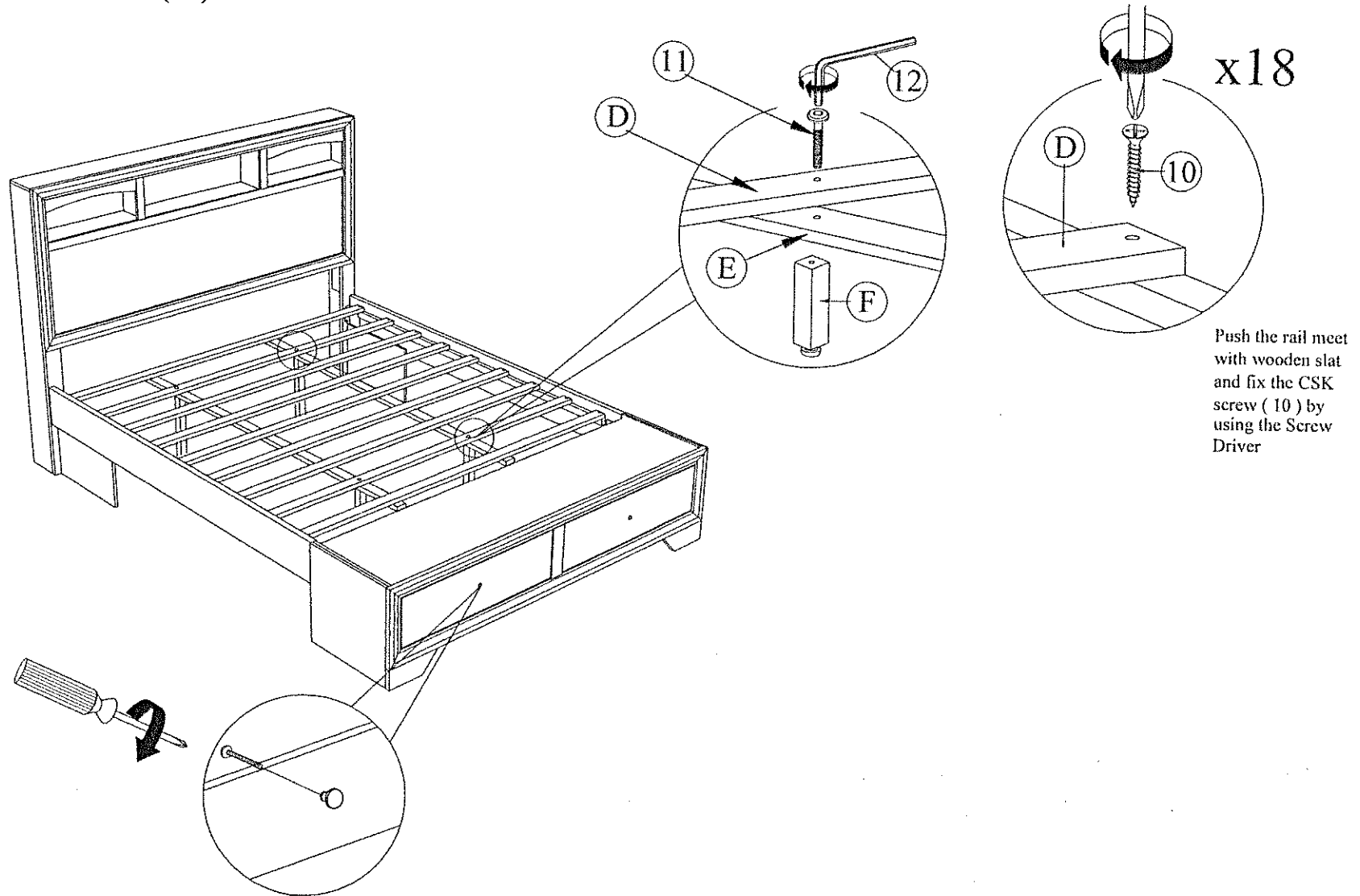
**STEP 2 :** Loosen the JCBB Bolt from Headboard Leg ( B ) and Footboard ( C ) using ALLEN KEY ( 13 ).Attach the Side Rail ( M ) to Headboard Leg ( B ) and Footboard ( C ) by pushing the bracket down to fit it. Tighten the JCBB Bolt with ALLEN KEY ( 13 ).



NOTE : MUST TIGHTEN SCREWS PERIODCALLY.SCREW NATURALLY LOOSEN WITH USE.CHECK TIGHTNESS OF ALL SCREW EVERY 6-8 WEEKS.

# ASSEMBLY INSTRUCTIONS

**STEP 3 :** Fix the Bed Slat Support ( F ) with adjuster, Center Rail ( E ) to Bed Slat ( D ). Attach the Assembled Bed Slat to Side Rail ( M ) Loosen and Tighten Adjuster for the Stability of Bed. Laterly, Tighten the Bed Slat ( F ) with JCBC Screw ( 11 ).

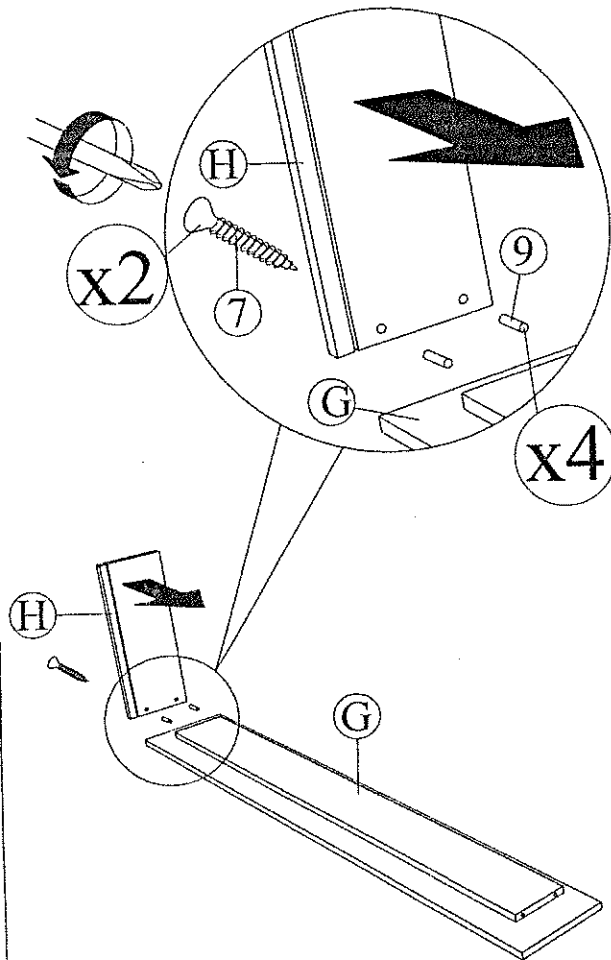


**STEP 4 :** Install the Handle in front of footboard drawer. Tighten the Handle Screw using Screw Driver. ( Not Included )

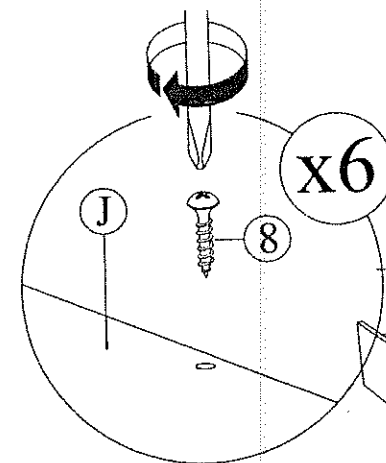
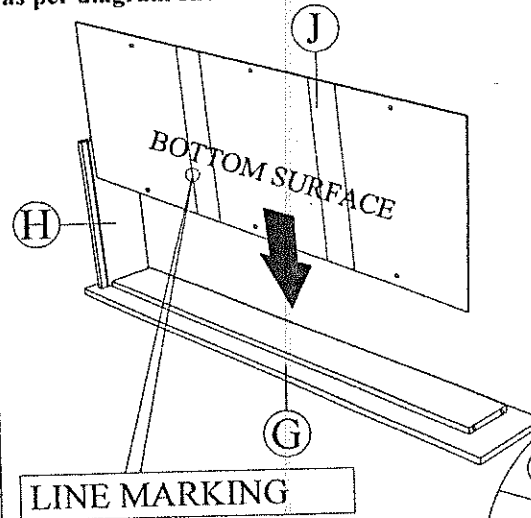
**NOTE :** MUST TIGHTEN SCREWS PERIODCALLY. SCREW NATURALLY LOOSEN WITH USE. CHECK TIGHTNESS OF ALL SCREW EVERY 6-8 WEEKS.

# ASSEMBLY INSTRUCTIONS

**STEP 5(a) :** Place the trundle drawer front panel (G) on clean surface then Fix the trundle drawer box side panel (H) by inserting a dowel (9) then tighten with csk screw (7) using Screw Driver as per diagram shown. (DO NOT FULLY TIGHTEN IN THIS STEP)

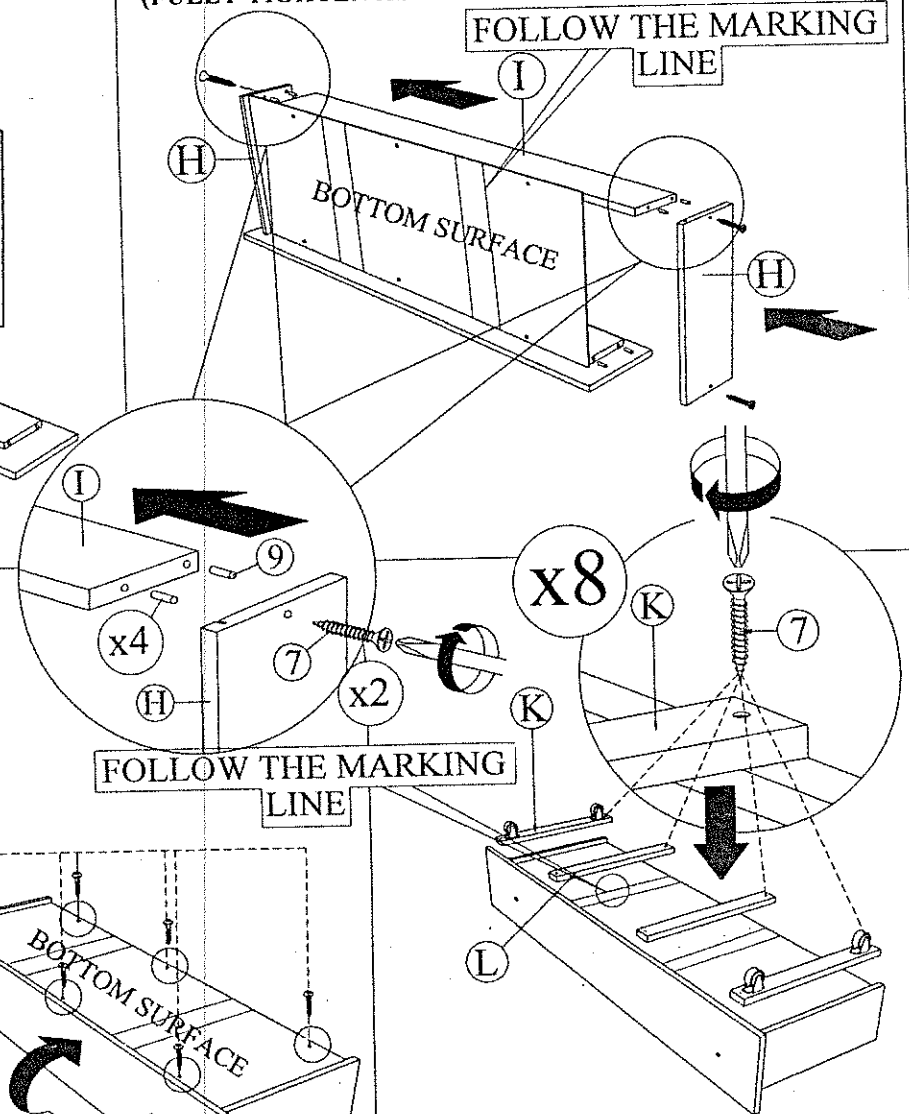


**STEP 5 (b) :** Slide in the bottom drawer panel (J) inside the groove of trundle drawer box side panel (H) and push it down to trundle front panel (G) as per diagram shown.



**STEP 5 (d) :** Fix the trundle bottom drawer panel (J) with Pan head Screw (8) and tighten using Screw Driver as per diagram shown.

**STEP 5 (c) :** Fix the trundle drawer back panel (I) and trundle drawer box side panel (H) by inserting a dowel (9) then tighten with csk screw (7) using Screw Driver as per diagram shown. (FULLY TIGHTEN ALL SCREWS IN THIS STEP)

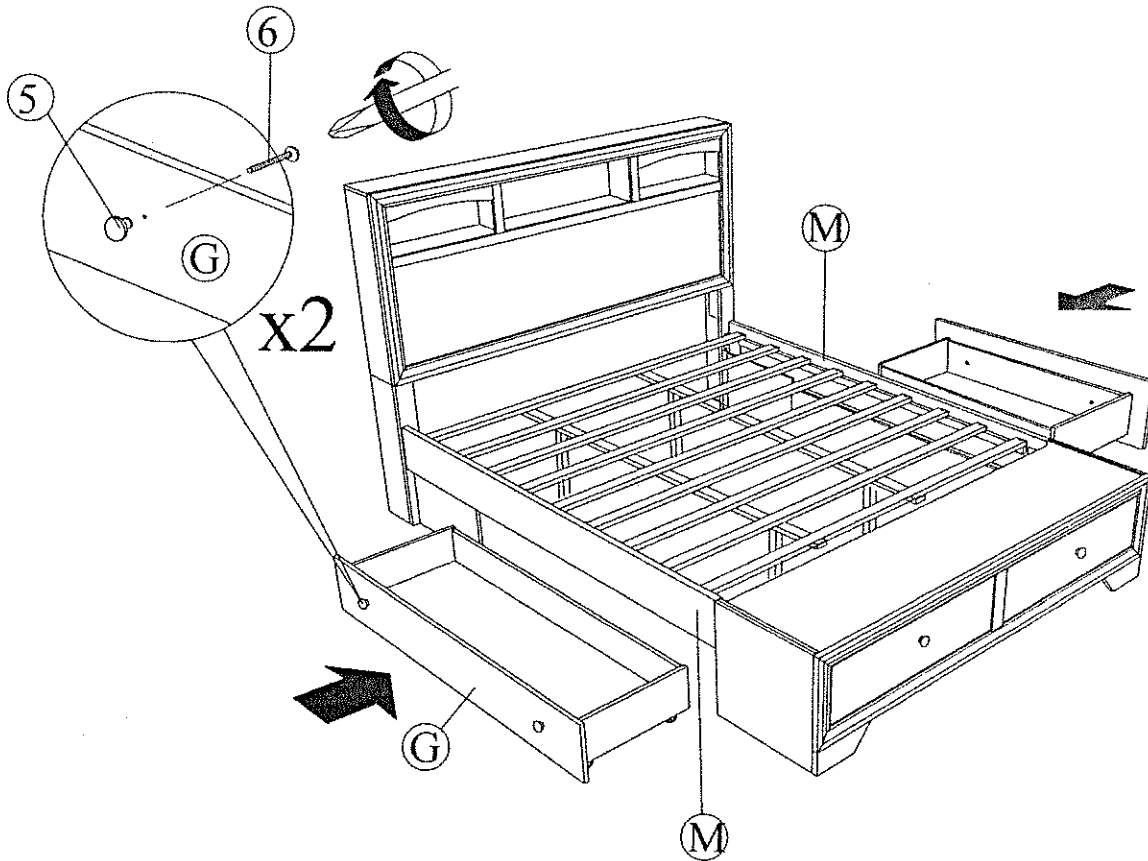


**STEP 5 (e) :** Fix the trundle bottom support rail (K) & (L) and tighten using Screw Driver as per diagram shown.

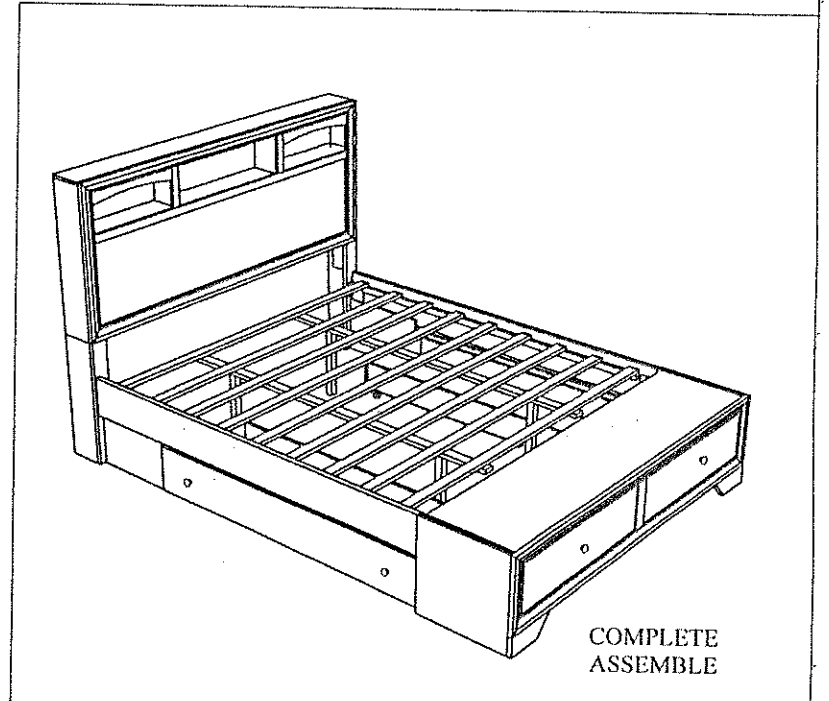
NOTE : MUST TIGHTEN SCREWS PERIODCALLY. SCREW NATURALLY LOOSEN WITH USE. CHECK TIGHTNESS OF ALL SCREW EVERY 6-8 WEEKS.

# ASSEMBLY INSTRUCTIONS

**STEP 6 :** Install the Handle drawer ( 5 ) in front of Trundle drawer ( G ). Tighten the Handle Screw ( 6 ) using Screw Driver. ( Not Included )



**STEP 7 :** Push The complete assembled Trundle drawer into side rail ( M ) as per diagram shown.



**NOTE :** MUST TIGHTEN SCREWS PERIODCALLY. SCREW NATURALLY LOOSEN WITH USE. CHECK TIGHTNESS OF ALL SCREW EVERY 6-8 WEEKS.