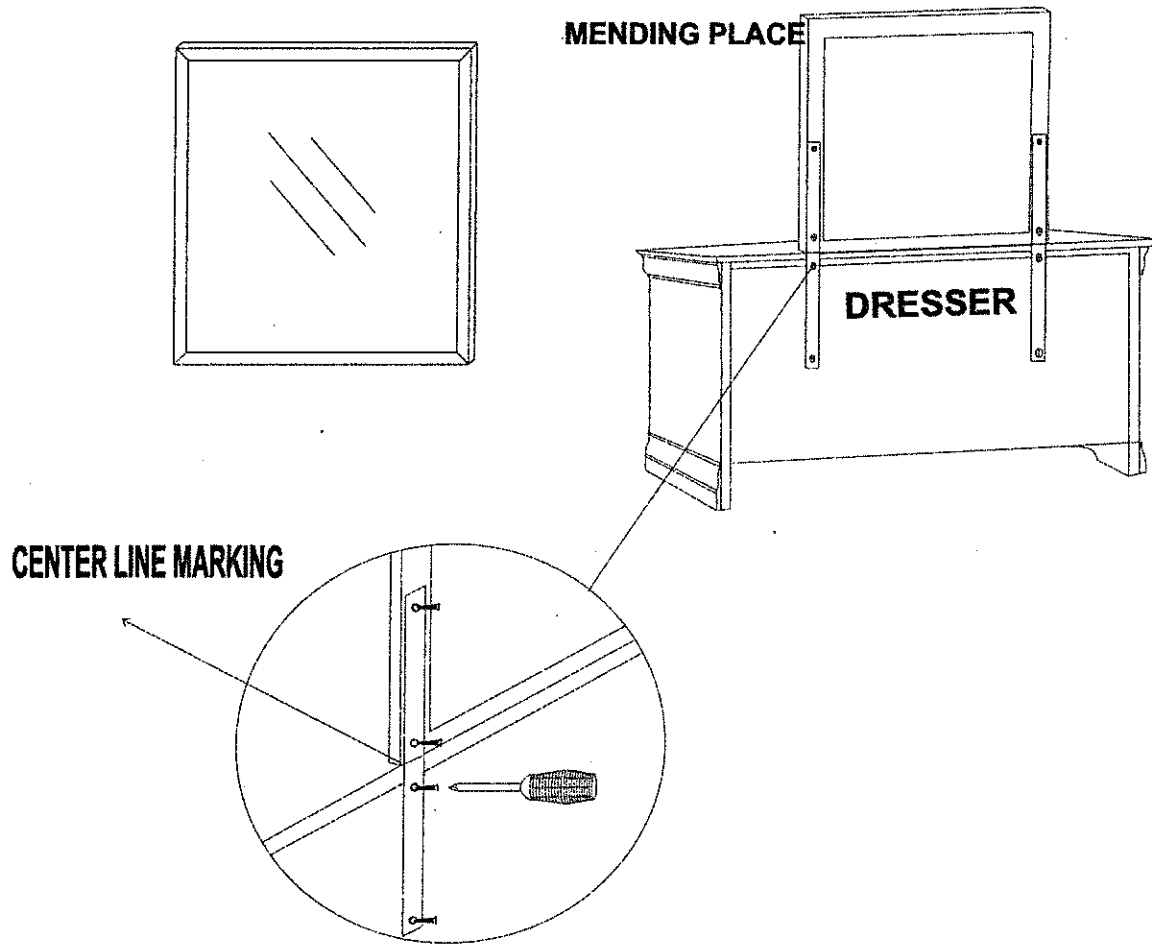


**ASSEMBLY
INSTRUCTION**

MIRROR

Thank you for purchasing this quality product. Be sure to check all packing material carefully for small parts that may have come loose inside the carton during shipment.

Place the mending place vertically at the back of Dresser. Align the CENTER LINE MARKING on the back of Dresser. Insert screw (A) into the pre-drilled holes of mending places. Tighten the mending place to the Dresser back by using a screw driver



NO	DESCRIPTION	QTY
A	R/B M4 x 35 SCREW	8

MADE IN VIETNAM