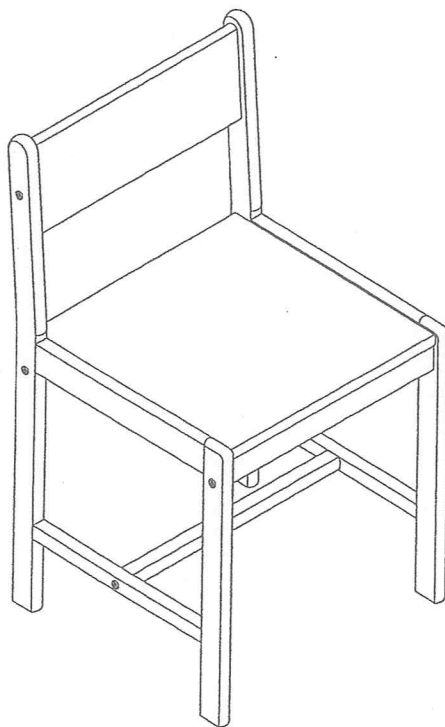


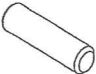



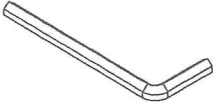
# ASSEMBLY INSTRUCTION

## MODEL : 19412 - STUDY CHAIR

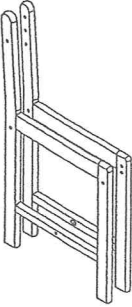
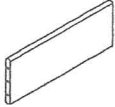
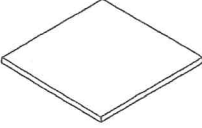
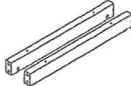

ACME FURNITURE

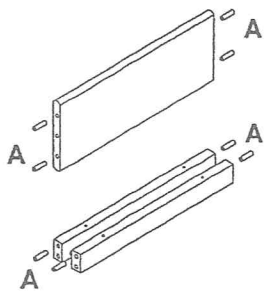


## HARDWARE LIST

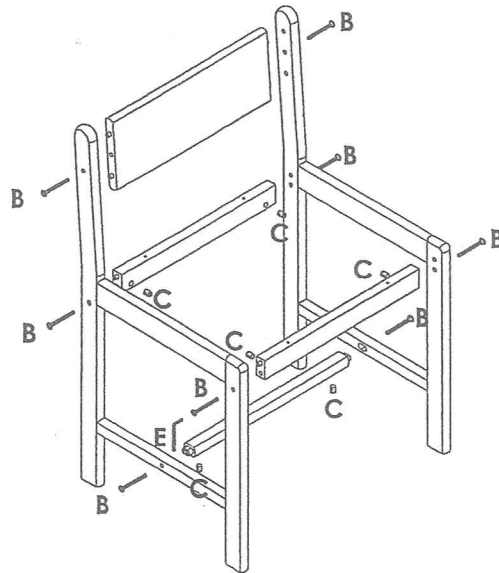
<p><b>A</b></p>  <p><b>8 PCS</b></p> <p>DOWEL (M8 x 30MM)</p>	<p><b>B</b></p>  <p><b>8 PCS</b></p> <p>JCBC BOLT (M6 x 60MM)</p>	<p><b>C</b></p>  <p><b>8 PCS</b></p> <p>JRN NUT (M6 x 13MM)</p>
<p><b>D</b></p>  <p><b>4 PCS</b></p> <p>CSK C/B SCREW (M4 x 32MM)</p>	<p><b>E</b></p>  <p><b>1 PC</b></p> <p>ALLEN KEY (M4 x 60MM)</p>	<p><i>Tool Required :</i> Crosshead Screw Driver</p>

## PARTS LIST

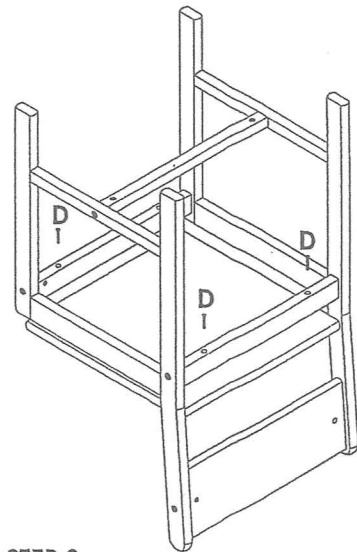
 <p><b>SIDE FRAME</b> 2 PCS / SET (CARTON 1 OF 1)</p>	 <p><b>BACK REST</b> 1 PC / SET (CARTON 1 OF 1)</p>	 <p><b>SEATER</b> 1PC / SET (CARTON 1 OF 1)</p>	 <p><b>TOP RAIL</b> 2 PCS / SET (CARTON 1 OF 1)</p>	 <p><b>BOTTOM RAIL</b> 1 PC / SET (CARTON 1 OF 1)</p>
--	--	--	--	--



**STEP 1**  
Attach (A) into Back Rest and Top Rails.



**STEP 2**  
Attach Back Rest and Rails to Side Frame by using (B) and (C), tighten it up by using (E).



**STEP 3**  
Attach Seater to the Top Rails by using (D), tighten it up by using a Crosshead Screw Driver.