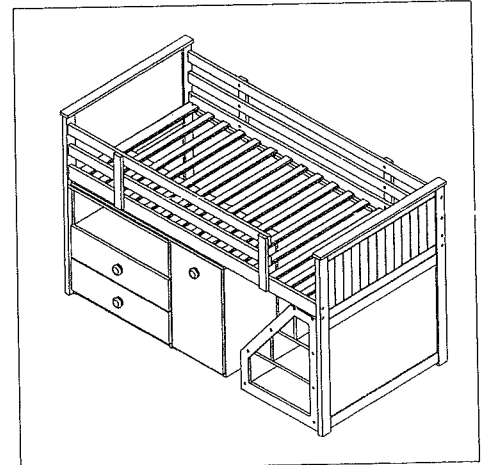
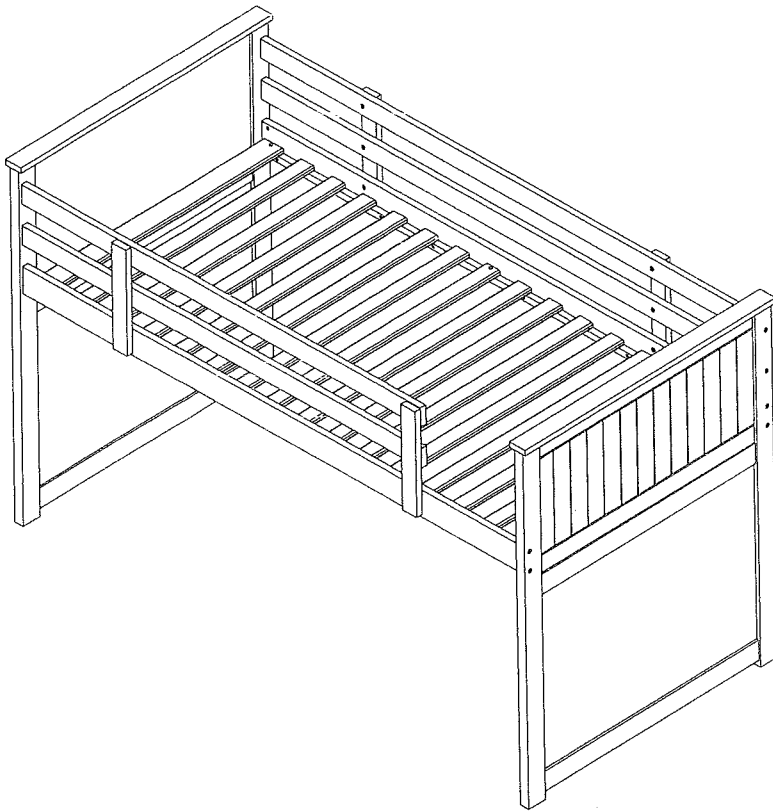


ASSEMBLY INSTRUCTION

MODEL : 19405 - TWIN MIDDLE LOFT BED (990 X 1905)MM

Page 1

ACME FURNITURE

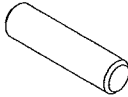

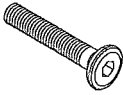

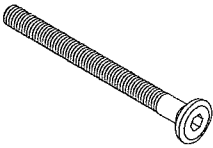
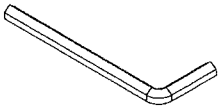


**READ THESE INSTRUCTIONS CAREFULLY
BEFORE ATTEMPTING TO ASSEMBLE THIS BED.**

F1427-13 SAFETY WARNINGS AND GENERAL NOTES:

- Follow the information on the warnings appearing on the upper bunk bed end structure and on the carton. Do not remove the warning label from the bed.
 - Always use the recommended size mattress or mattress support, or both, to help prevent the likelihood of entrapment or falls. (See Page 7)
 - The top surface of the mattress must be at least 5" below the upper edge of the guardrails. (See Page 7)
 - Do not allow children under 6 years of age to use the upper bunk.
 - Periodically check and ensure the guardrail, ladder and other components are in their proper position, free from damage, and all connectors are tight.
 - Prohibit horseplay on or under the bed. Always prohibit jumping on the bed.
 - Prohibit more than one person on upper bunk.
 - Always use the ladder for entering and leaving the upper bunk.
 - Do not use substitute parts. Contact the manufacturer or dealer for replacement parts.
 - Use of a night-light may provide added safety precaution for a child using the upper bunk.
 - Always use guardrails on both long sides of the upper bunk.
 - If the bunk bed will be placed next to a wall, the guardrail that runs the full length of the bed should be placed against the wall to prevent entrapment between the bed and the wall.
 - The use of water or sleep flotation mattresses is prohibited.
 - Keep these instructions for future reference.
 - We recommend assembling your bunk bed on the shipping carton to protect your floor or carpet. Be certain all staples are out of the box before beginning assembly on the shipping carton.
- STRANGULATION HAZARD** - Never attach or hang items to any part of the bunk bed that are not designed for use with the bed; for example, but not limited to, hooks, belts, and jumpropes.

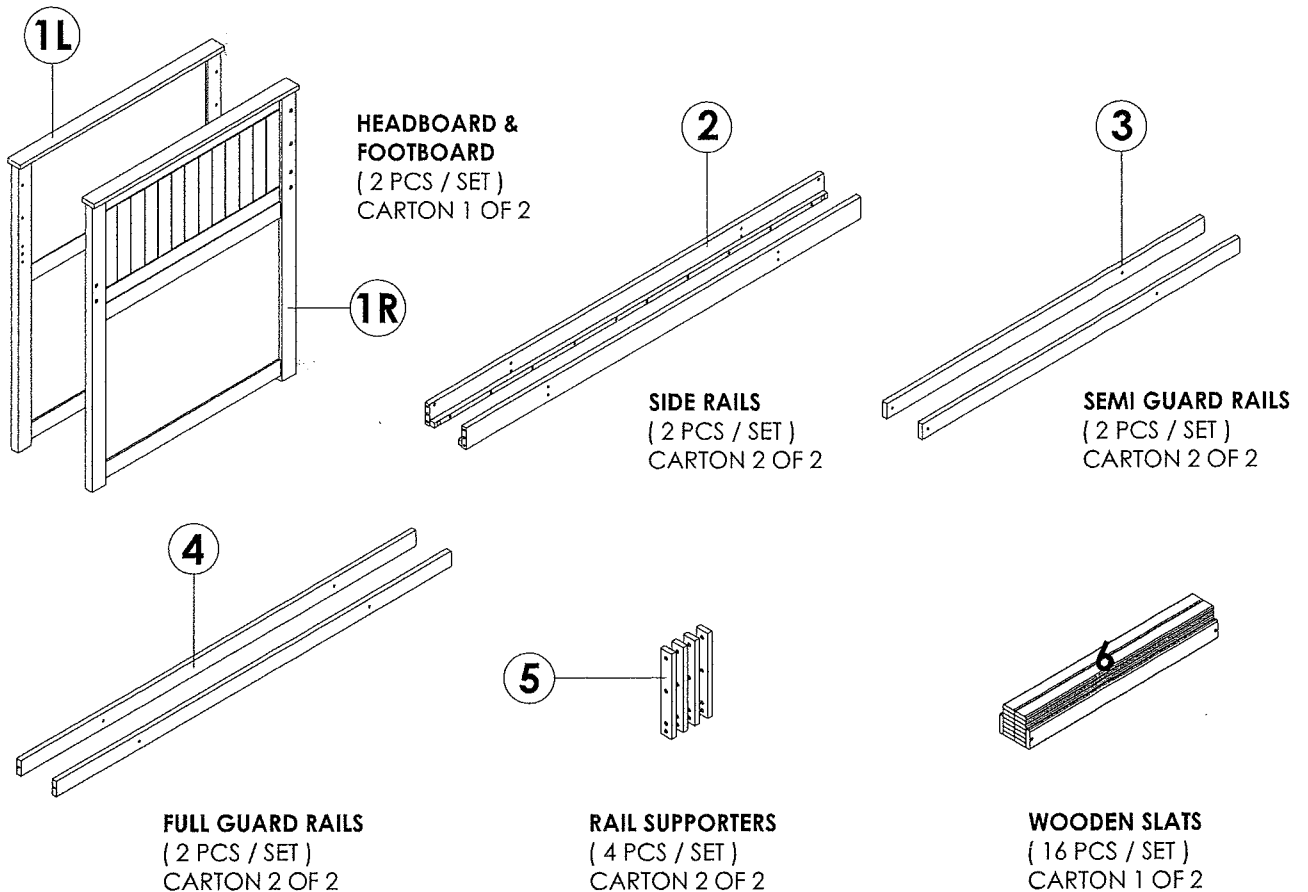
HARDWARE LIST :

ITEM	QTY	DESCRIPTION	ITEM	QTY	DESCRIPTION
A	4	 PLASTIC DOWEL (M10 X 35MM)	D	8	 JRN NUT (M6 X 13MM)
B	16	 JCBC BOLT (M6 X 35MM)	E	6	 CSK C/B SCREW (M4 X 32MM)
C	14	 JCBC BOLT (M6 X 60MM)	F	1	 ALLEN KEY (M4 X 60MM)

- The assembly will require at least two people to complete.
- Make sure all the fasteners are tight.
- Due to the size of this bed, It must be assembled within the space it will occupy.
- Above all, take your time and read the instruction carefully.

TOOLS REQUIRED :
 Crosshead Screwdriver
 Rubber Hammer

PARTS LIST :



STEP 1

1. Insert **Plastic Dowels (A)** into the $\text{\O}10\text{mm}$ holes in each **Side Rails** as shown in **Figure 1**.

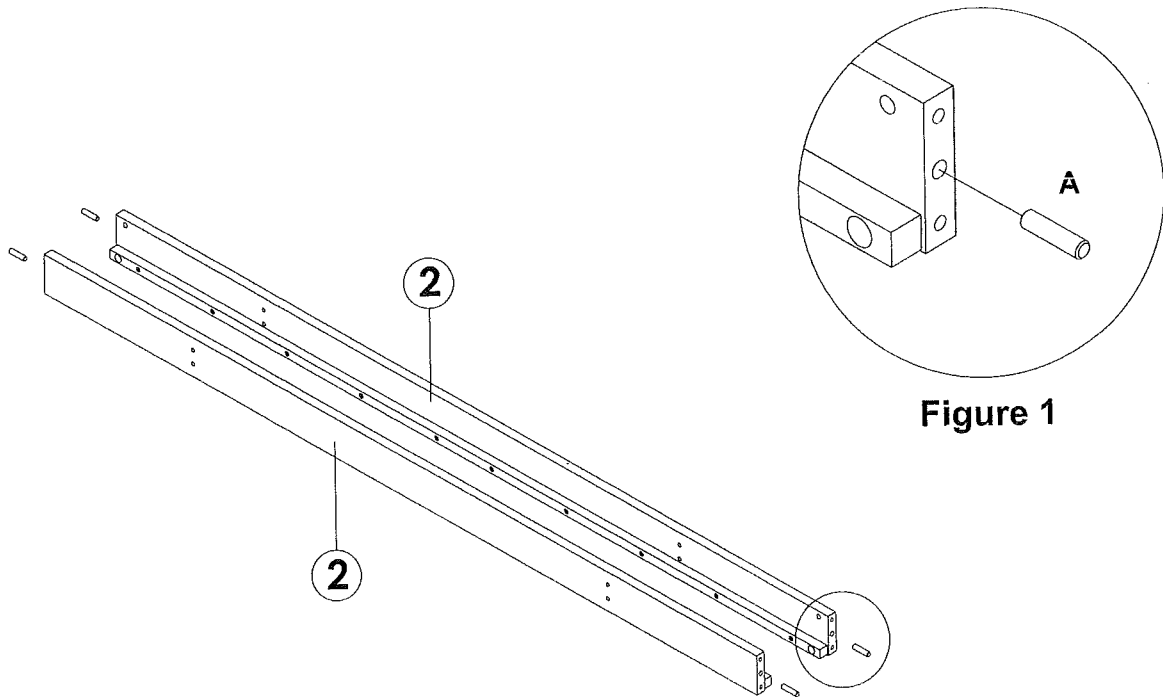
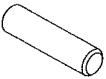


Figure 1

HARDWARE USED IN THIS STEP

A	4		PLASTIC DOWEL (M10 X 35MM)
---	---	---	-------------------------------

STEP 2

1. Attach **Rail Supporters** to **Semi Guardrail** and **Full Guardrail** by using **JCBC Bolts (B)**.
 2. Tighten it up by using an **Allen Key (F)** as shown in **Figure 2**.

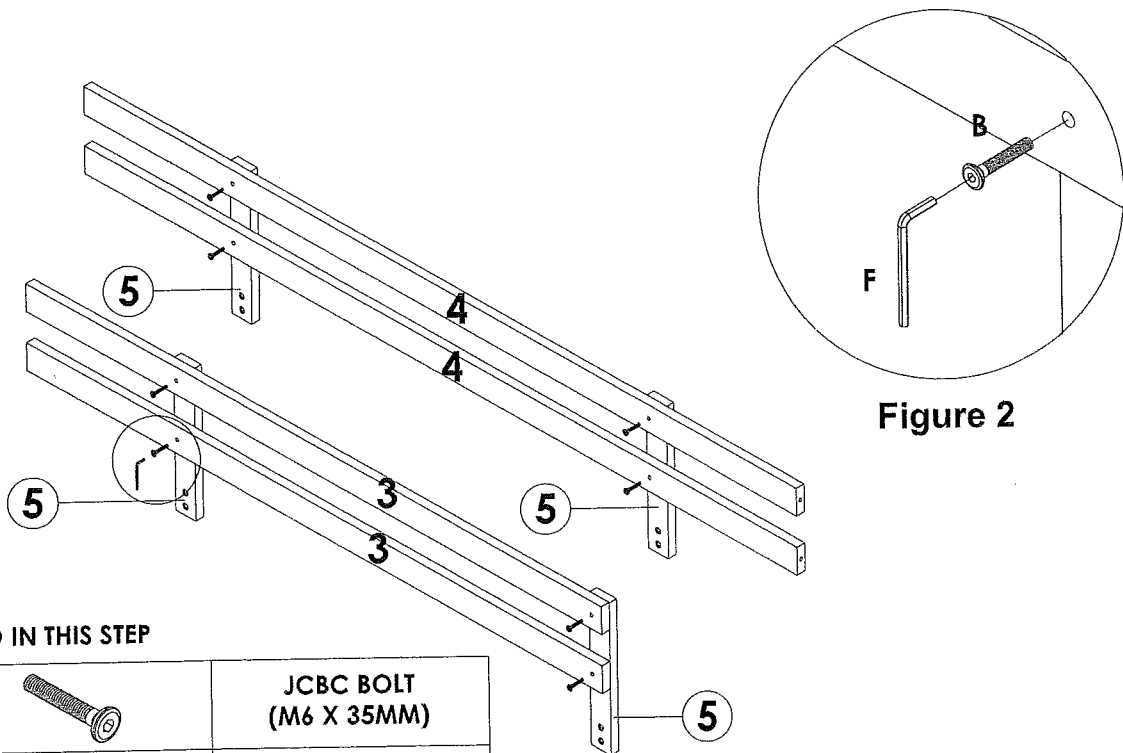




Figure 2

HARDWARE USED IN THIS STEP

B	8		JCBC BOLT (M6 X 35MM)
F	1		ALLEN KEY (M4 X 60MM)

STEP 3

1. Insert **JRN Nuts (D)** into the holes in each **Side Rails** as shown in **Figure 3**.
2. Attach the **Headboard** and **Footboard** to the **Side Rails** by using **JCBC Bolts (C)**, tighten it up by using an **Allen Key (F)** as shown in **Figure 4**.

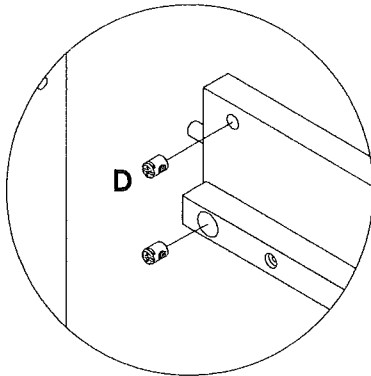
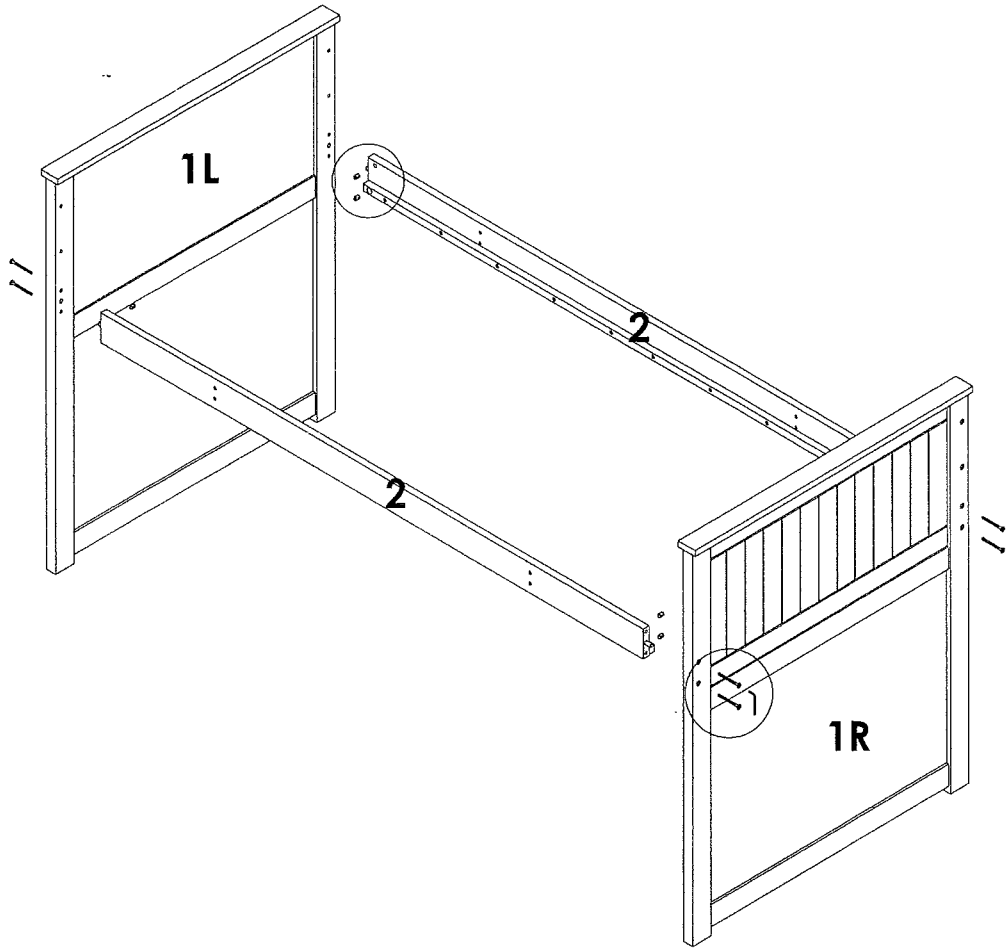


Figure 3

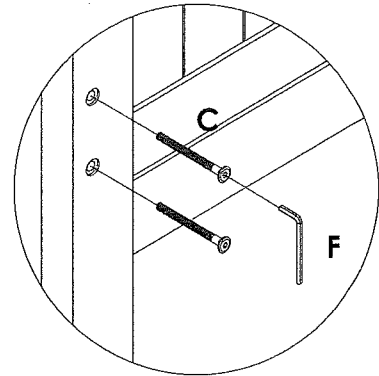


Figure 4

HARDWARE USED IN THIS STEP

C	8		JCBC BOLT (M6 X 60MM)
D	8		JRN NUT (M6 X 13MM)
F	1		ALLEN KEY (M4 X 60MM)

STEP 4

1. Attach **Semi Guardrail** and **Full Guardrail** to bed frame, Insert **JCBC Bolts (B)** into both **Side Rails**, tighten it up by using an **Allen Key (F)** as seen in **Figure 5**.
2. Insert **JCBC Bolts (C)** into holes on **Headboard** and **Footboard** as seen in **Figure 6**, tighten it up by using an **Allen Key (F)**.

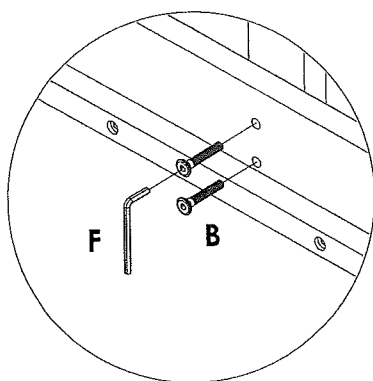
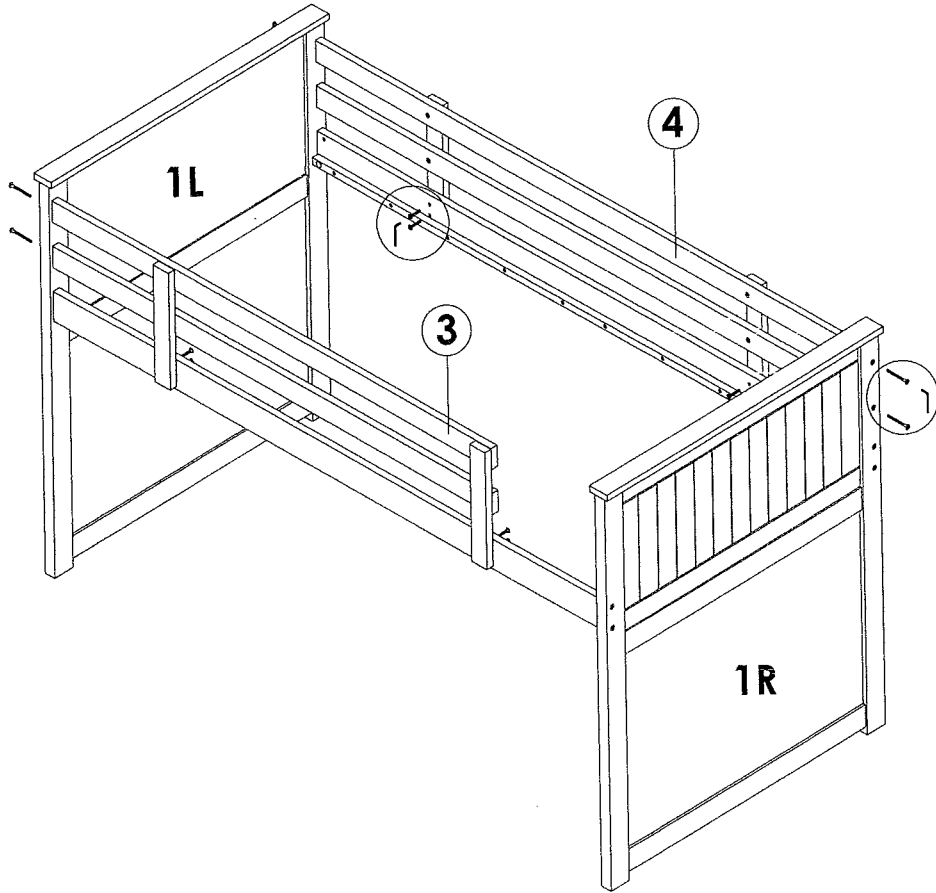


Figure 5

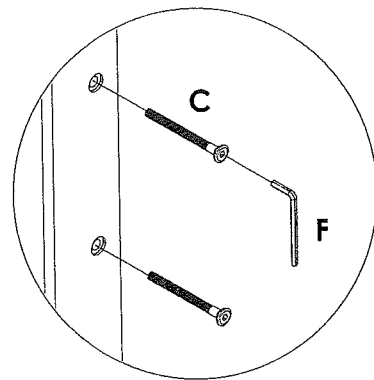


Figure 6

HARDWARE USED IN THIS STEP

B	8		JCBC BOLT (M6 X 35MM)
C	6		JCBC BOLT (M6 X 60MM)
F	1		ALLEN KEY (M4 X 60MM)

STEP 5

1. Attach **Wooden Slats** onto the bed frame by using **CSK C/B Screw (E)** as shown in **Figure 7**. Tighten it up by using a Crosshead Screw Driver.

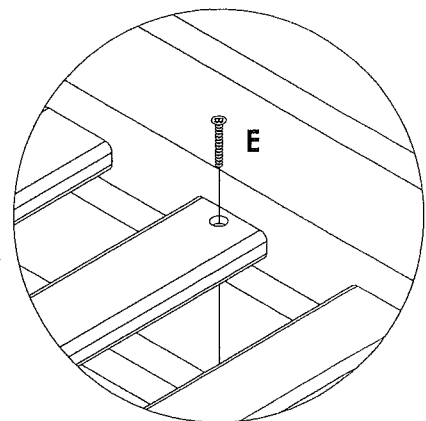
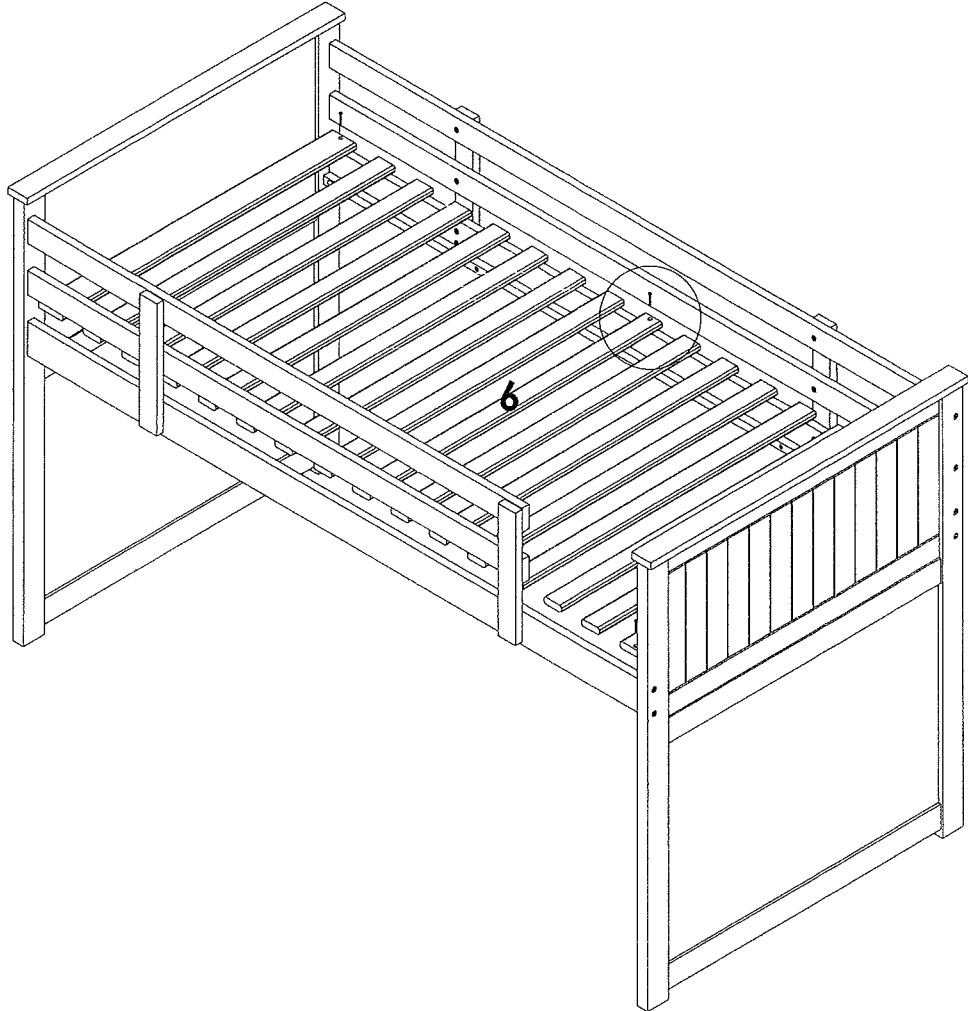

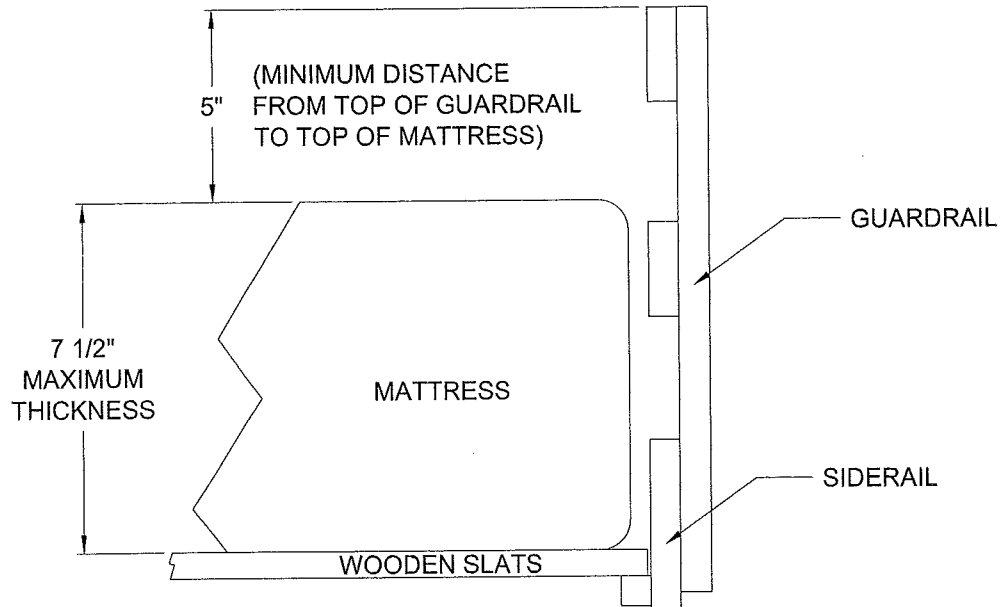


Figure 7

HARDWARE USED IN THIS STEP

E	6		CSK C/B SCREW (M4 X 32MM)
---	---	---	------------------------------

BEDDING SPECIFICATION



MATTRESS SIZE

Upper Bunk Mattress Specification :

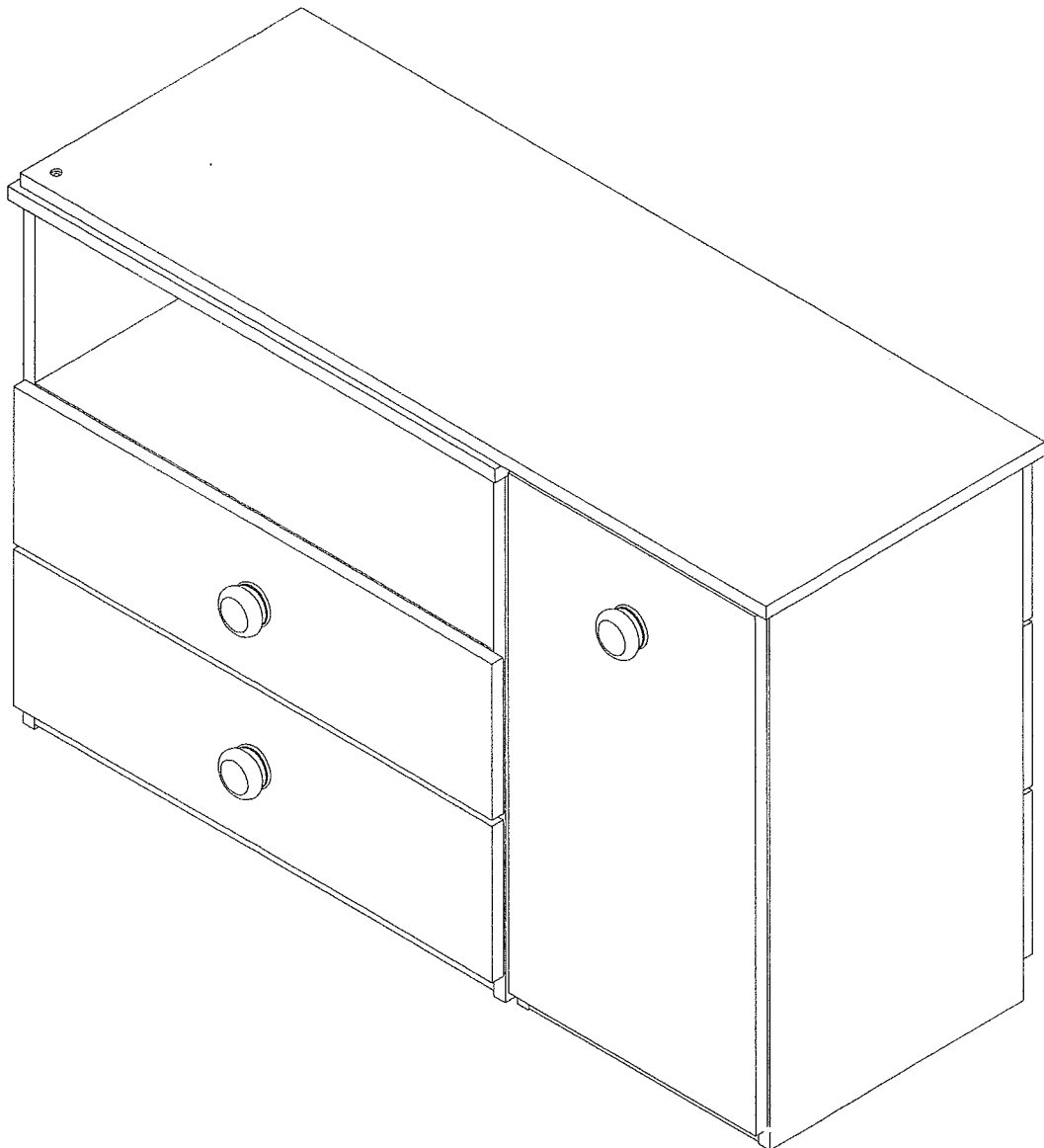
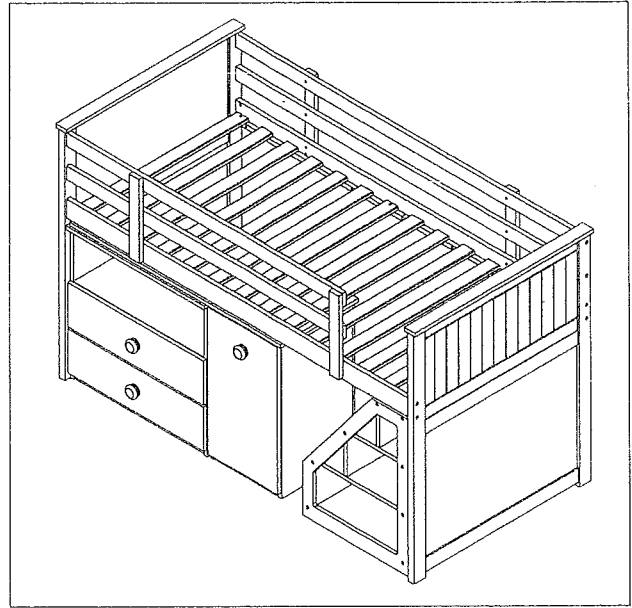
- Only use a mattress that is 74" - 75" long and 37 1/2" - 38 1/2" wide on upper bunk.
- Ensure thickness of mattress does not exceed 7 1/2".

Replacement parts :

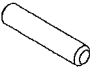
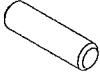
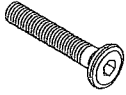

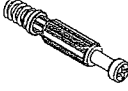






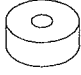
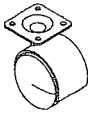
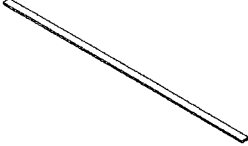

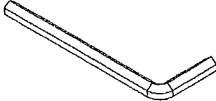
Replacement parts, including additional guard rails, can be obtained from any ACME Furniture distributor or retailer.

ASSEMBLY INSTRUCTION

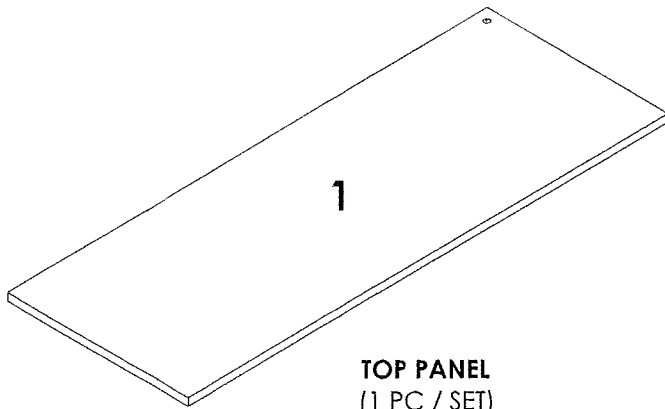
MODEL : 19405 TWIN MIDDLE LOFT BED - SWIVEL DESK & CHEST



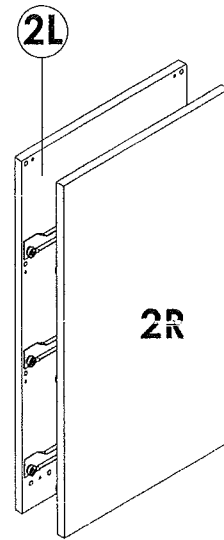
HARDWARE LIST

<p>A 28 PCS</p>  <p>PLASTIC DOWEL (M6 x 30MM)</p>	<p>B 26 PCS</p>  <p>PLASTIC DOWEL (M8 x 30MM)</p>	<p>C 5 PCS</p>  <p>JCBC BOLT (M6 x 35MM)</p>
<p>D 1 PC</p>  <p>JCN NUT (M6 x 13MM)</p>	<p>E 46 PCS</p>  <p>CONNECTING BOLT (34MM)</p>	<p>F 46 PCS</p>  <p>MINIFIX (12MM)</p>
<p>G 32 PCS</p>  <p>CSK C/B SCREW (M3.5 x 16MM)</p>	<p>H 18 PCS</p>  <p>CSK C/B SCREW (M4 x 32MM)</p>	<p>J 6 PCS</p>  <p>P/H M SCREW (M4 x 30MM)</p>
<p>K 4 PCS</p>  <p>NAIL LEG (5/8")</p>	<p>L 1 PC</p>  <p>NYLON WASHER (M6 x 20 x 3MM)</p>	<p>M 2 PCS</p>  <p>NYLON WASHER (M6 x 20 x 8MM)</p>
<p>N 4 PCS</p>  <p>CASTOR 40P-C</p>	<p>P 1 PC</p>  <p>PV H PROFILE (3.5 x 660MM)</p>	<p>Q 6 PCS</p>  <p>WOOD HANDLE 8920 (APPLE)</p>
<p>R 2 PCS</p>  <p>ALLEN KEY (M4 x 60MM)</p>	<p>Tools Required: Crosshead Screw Driver Rubber Hammer</p>	

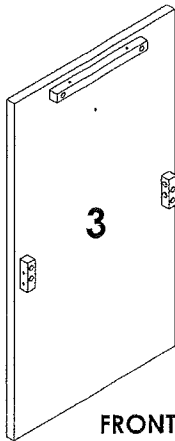
PARTS LIST



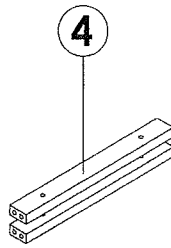
TOP PANEL
(1 PC / SET)
CARTON 4 OF 5



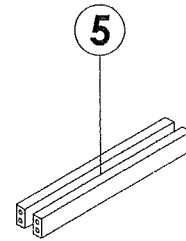
SIDE PANEL (L/R)
(2 PCS / SET)
CARTON 4 OF 5



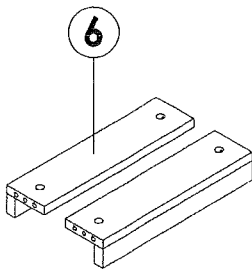
FRONT PANEL
(1 PC / SET)
CARTON 4 OF 5



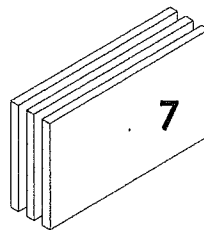
TOP RAIL
(2 PCS / SET)
CARTON 4 OF 5



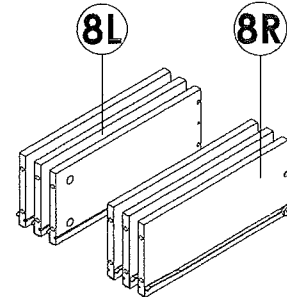
CENTER RAIL
(2 PCS / SET)
CARTON 4 OF 5



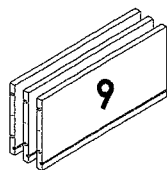
BOTTOM RAIL
(2 PCS / SET)
CARTON 4 OF 5



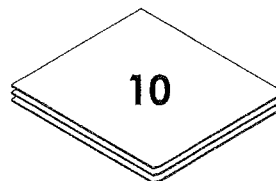
DRAWER FACE
(3 PCS / SET)
CARTON 4 OF 5



DRAWER SIDE (L/R)
(6 PCS / SET)
CARTON 4 OF 5

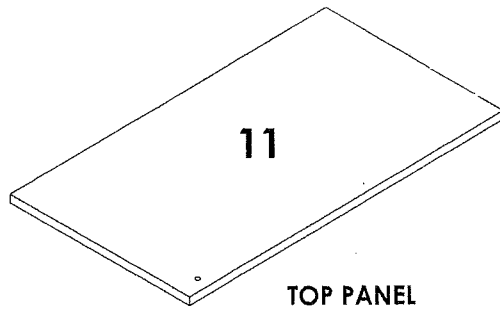


DRAWER REAR
(3 PCS / SET)
CARTON 4 OF 5

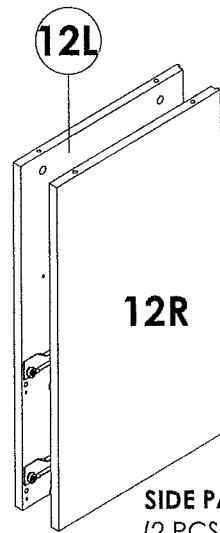


DRAWER BASE
(3 PCS / SET)
CARTON 4 OF 5

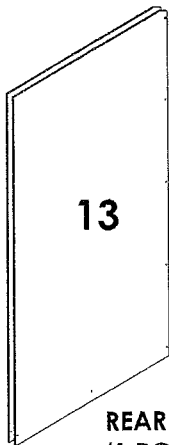
PARTS LIST



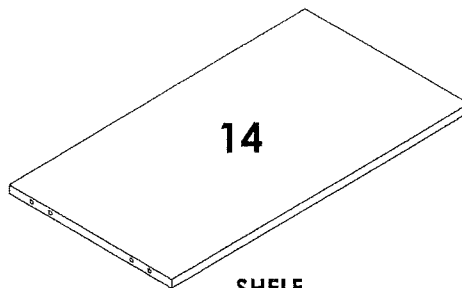
11
TOP PANEL
(1 PC / SET)
CARTON 5 OF 5



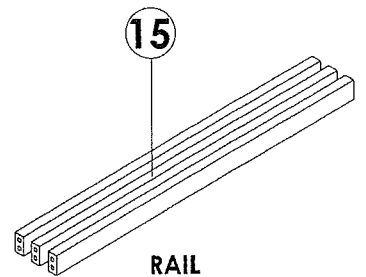
12L
12R
SIDE PANEL (L/R)
(2 PCS / SET)
CARTON 5 OF 5



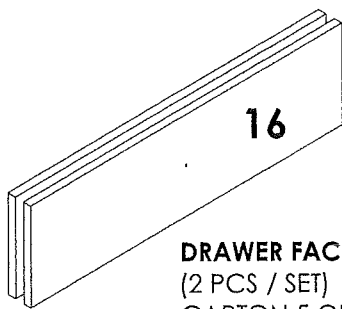
13
REAR PANEL
(1 PC / SET)
CARTON 5 OF 5



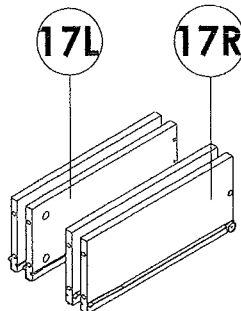
14
SHELF
(1 PC / SET)
CARTON 5 OF 5



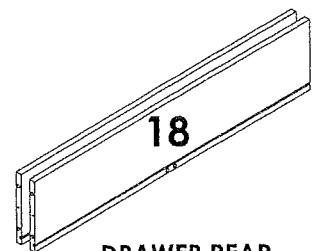
15
RAIL
(3 PCS / SET)
CARTON 5 OF 5



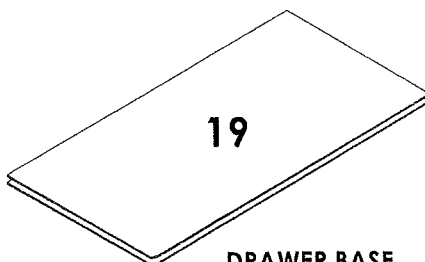
16
DRAWER FACE
(2 PCS / SET)
CARTON 5 OF 5



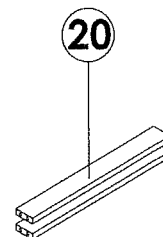
17L **17R**
DRAWER SIDE (L/R)
(4 PCS / SET)
CARTON 5 OF 5



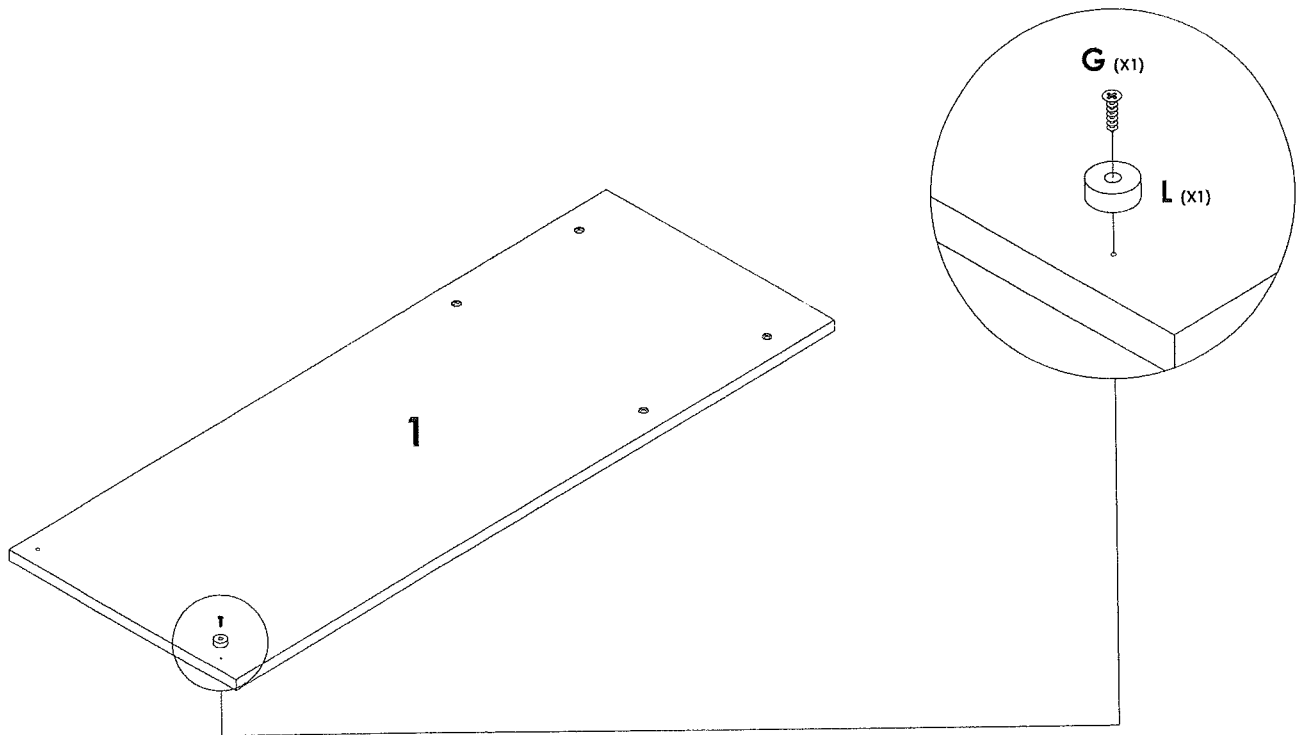
18
DRAWER REAR
(2 PCS / SET)
CARTON 5 OF 5



19
DRAWER BASE
(2 PCS / SET)
CARTON 5 OF 5

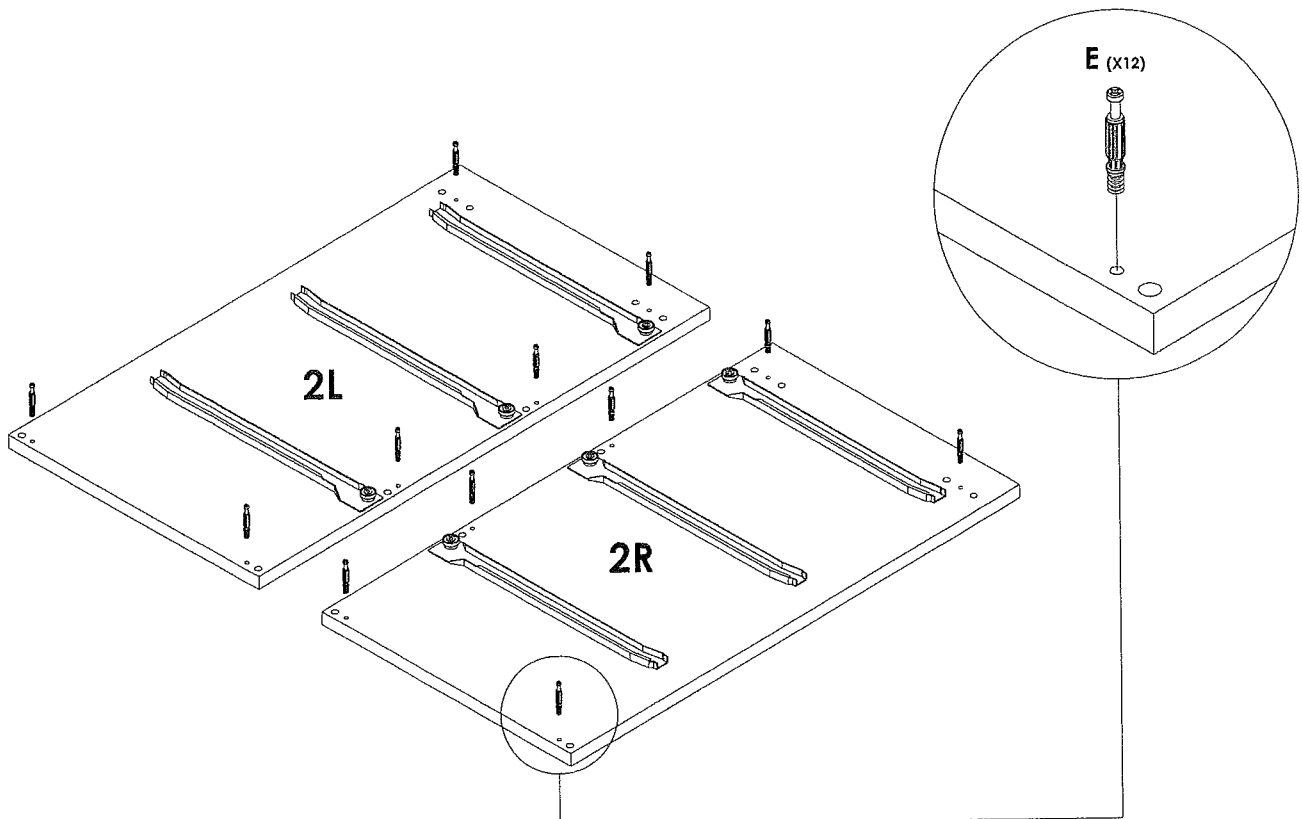


20
DRAWER SUPPORT
(2 PCS / SET)
CARTON 5 OF 5



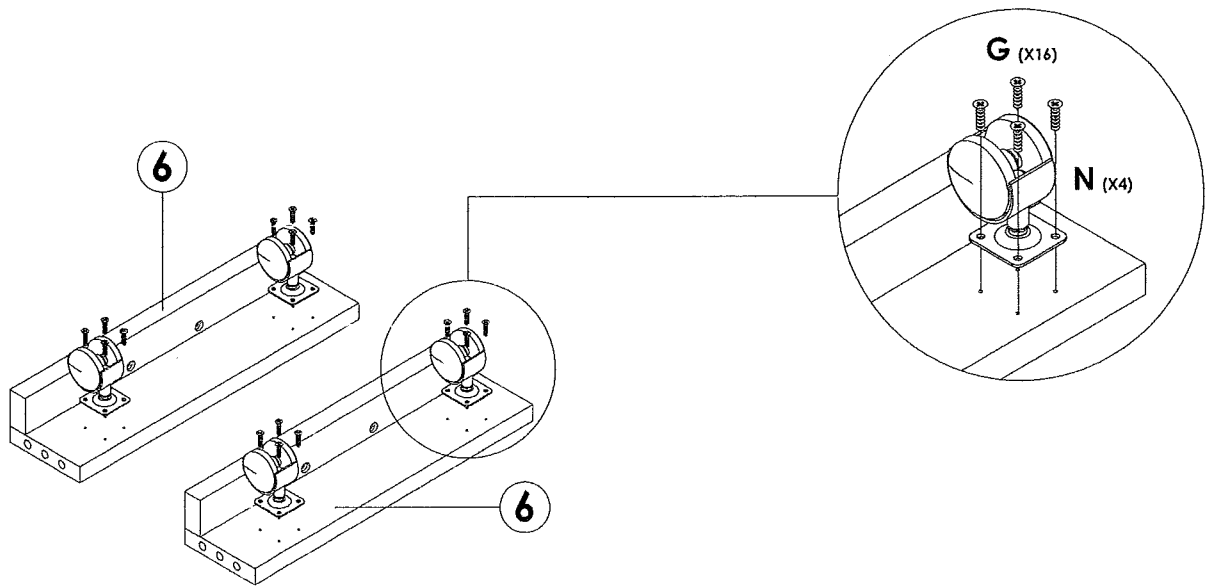
STEP 1

Attach (L) onto Top Panel by using (G), tighten it up by using a Crosshead Screw Driver.



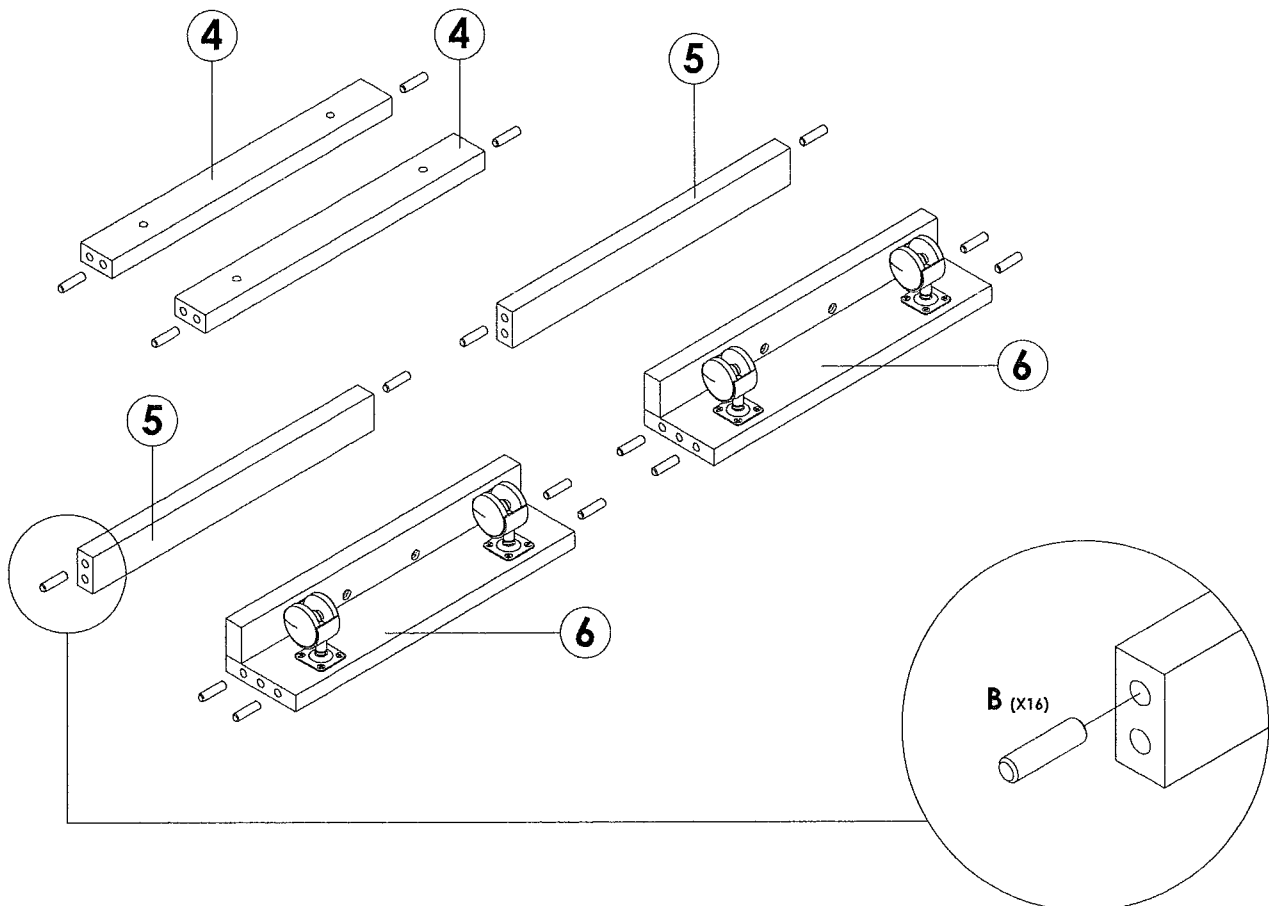
STEP 2

Insert (E) into Side Panel (L/R) by using a Crosshead Screw Driver.



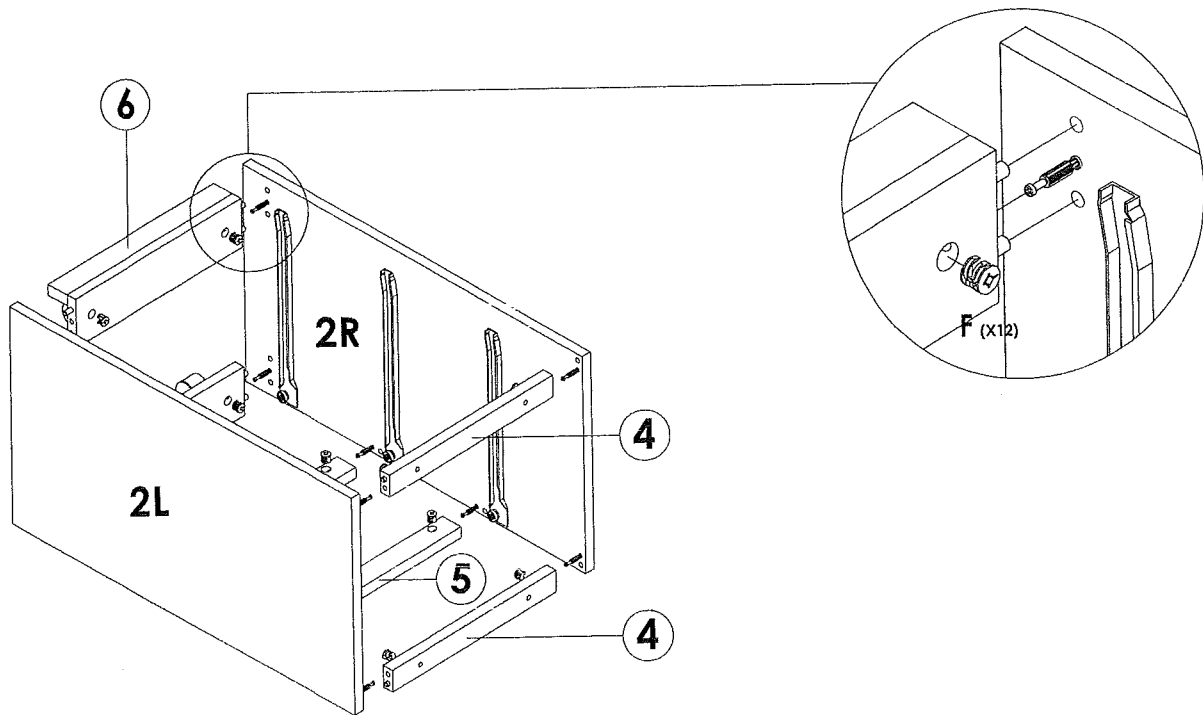
STEP 3

Attach (N) onto **Bottom Rail** by using (G), tighten it up by using a Crosshead Screw Driver.



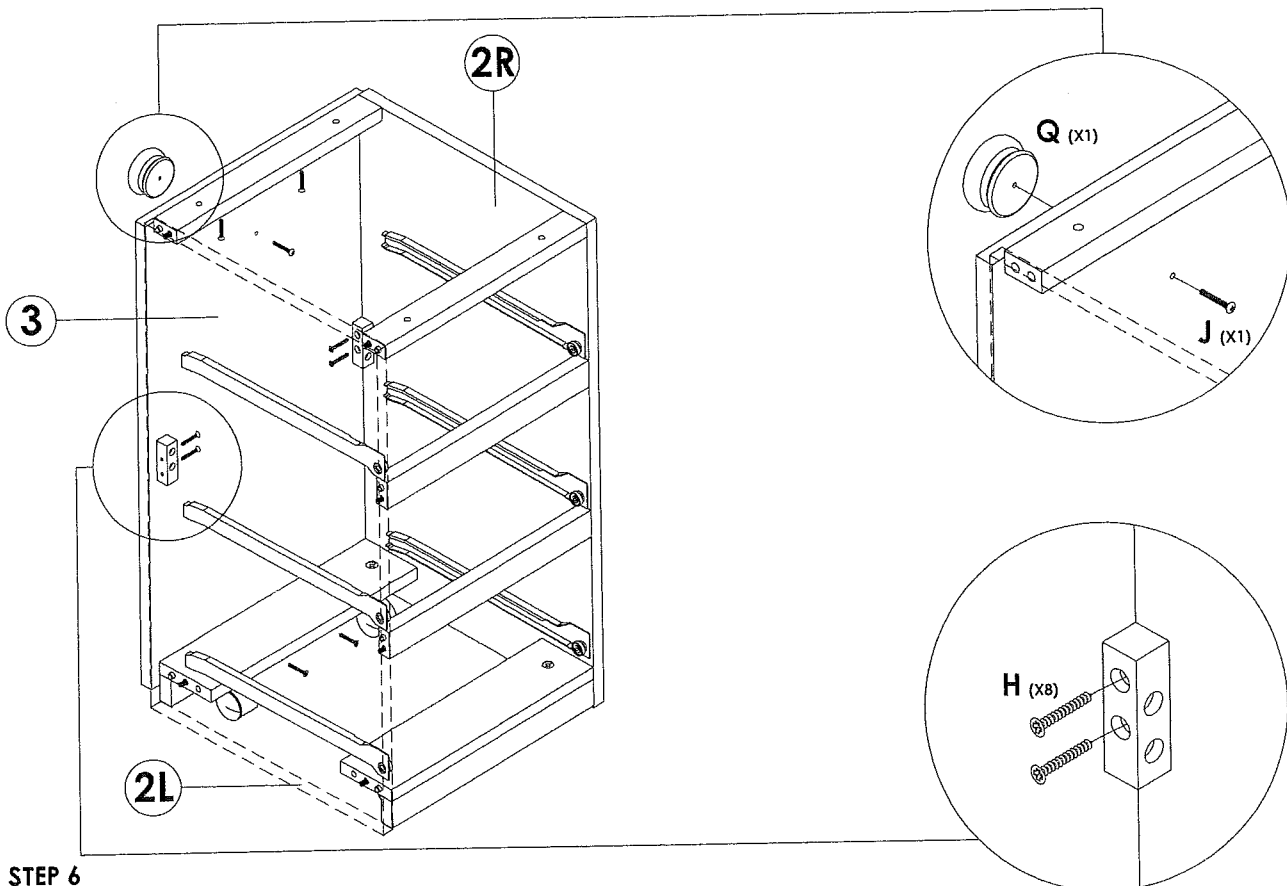
STEP 4

Attach (B) into **Top Rail, Center Rail & Bottom Rail** by using a Rubber Hammer.



STEP 5

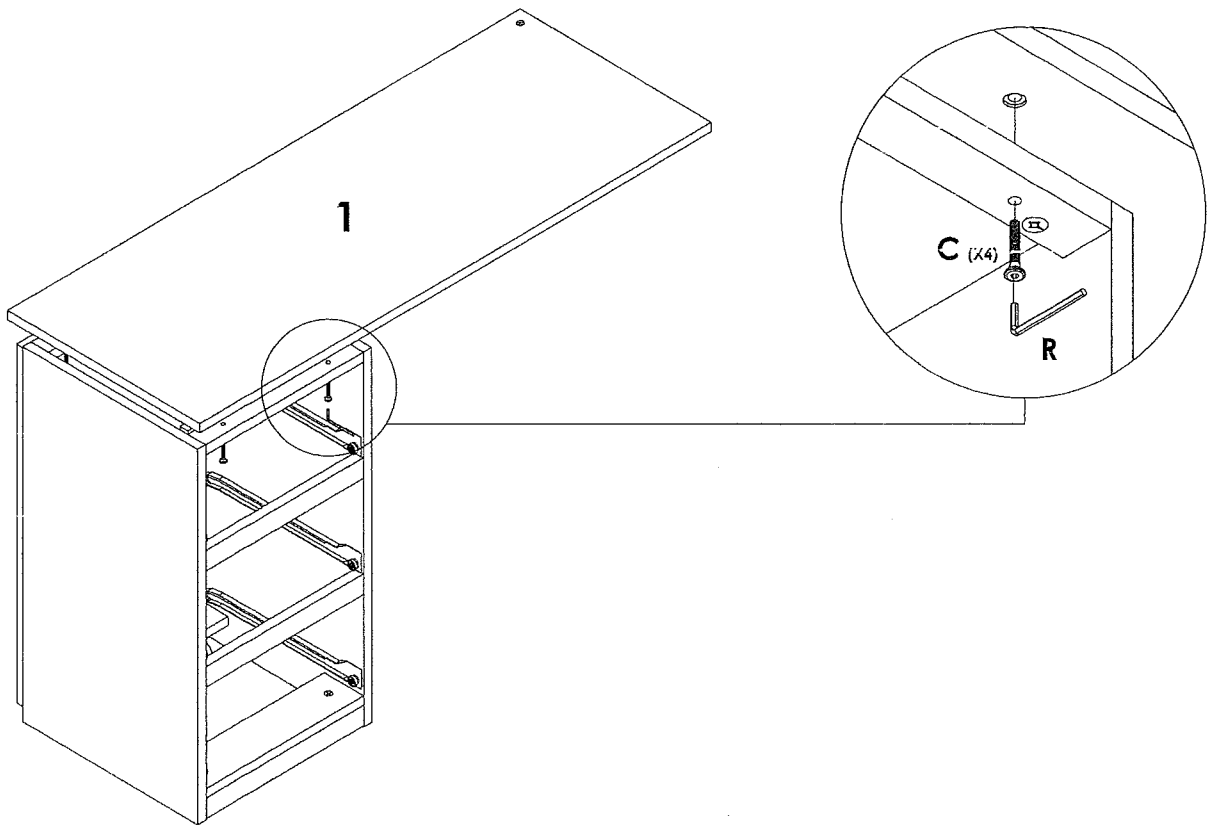
Attach and secure **Top Rail, Center Rail & Bottom Rail** onto **Side Panel (L/R)** by using (F) and a Crosshead Screw Driver.



STEP 6

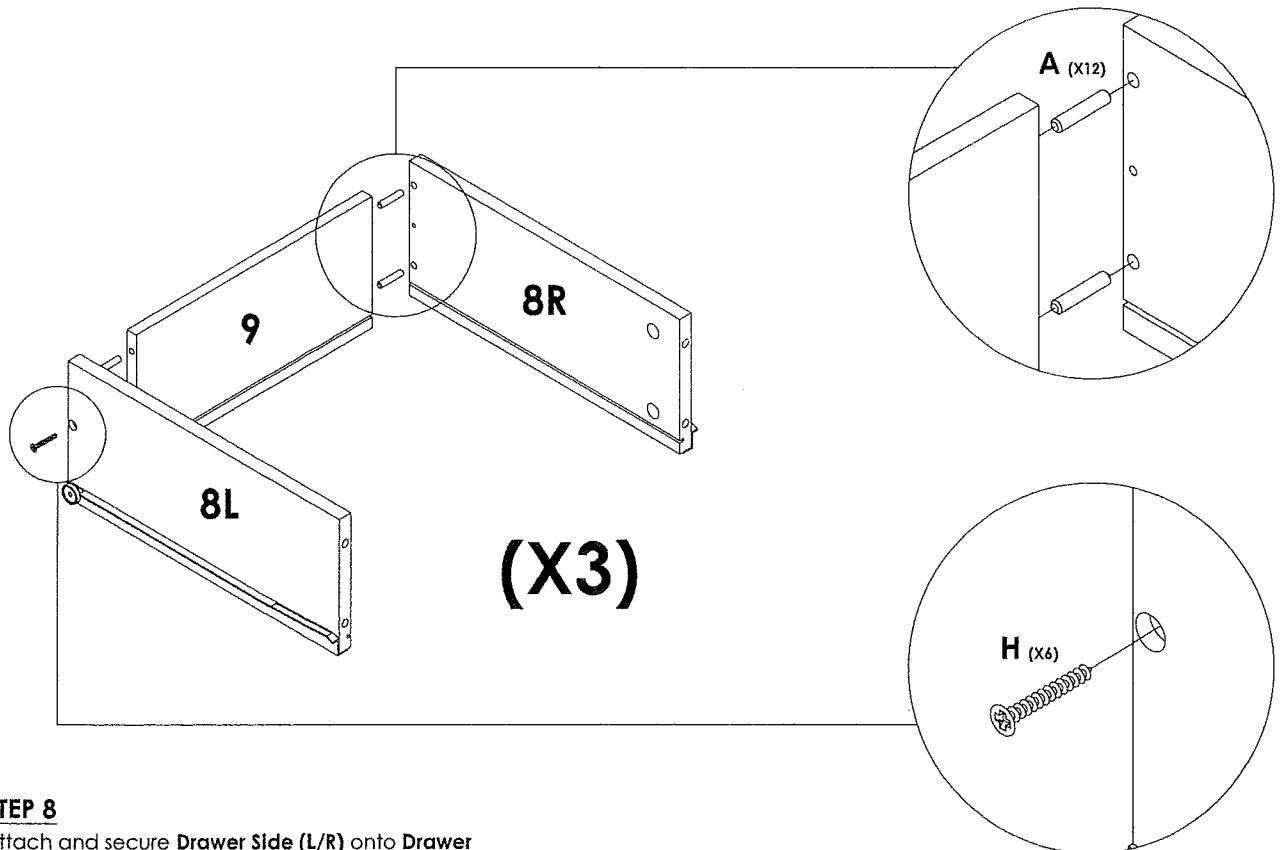
Attach and secure **Front Panel** onto **Side Panel (L/R)** by using (H).

Attach (Q) onto **Front Panel** by using (J). Tighten it up by using a Crosshead Screw Driver.



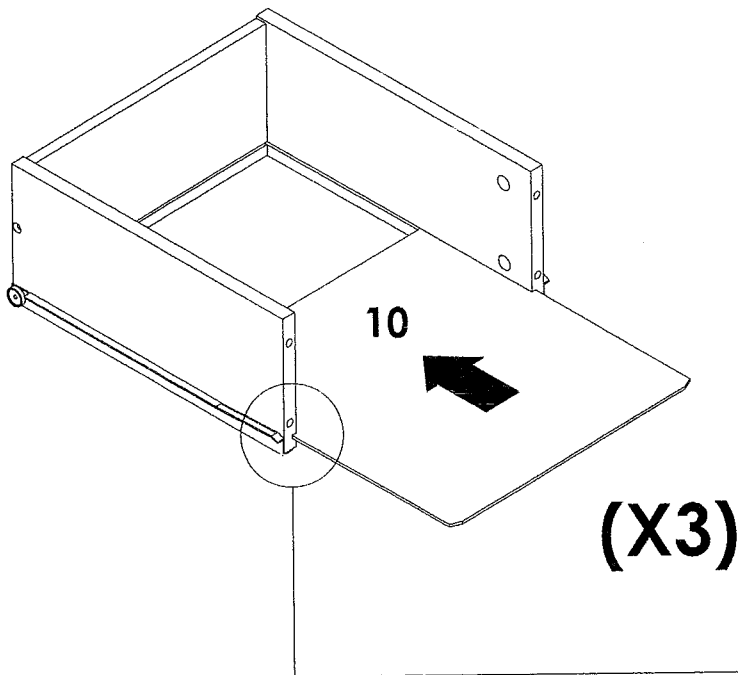
STEP 7

Attach and secure **Top Panel** onto previous assembly by using **(C)**, tighten it up by using **(R)**.



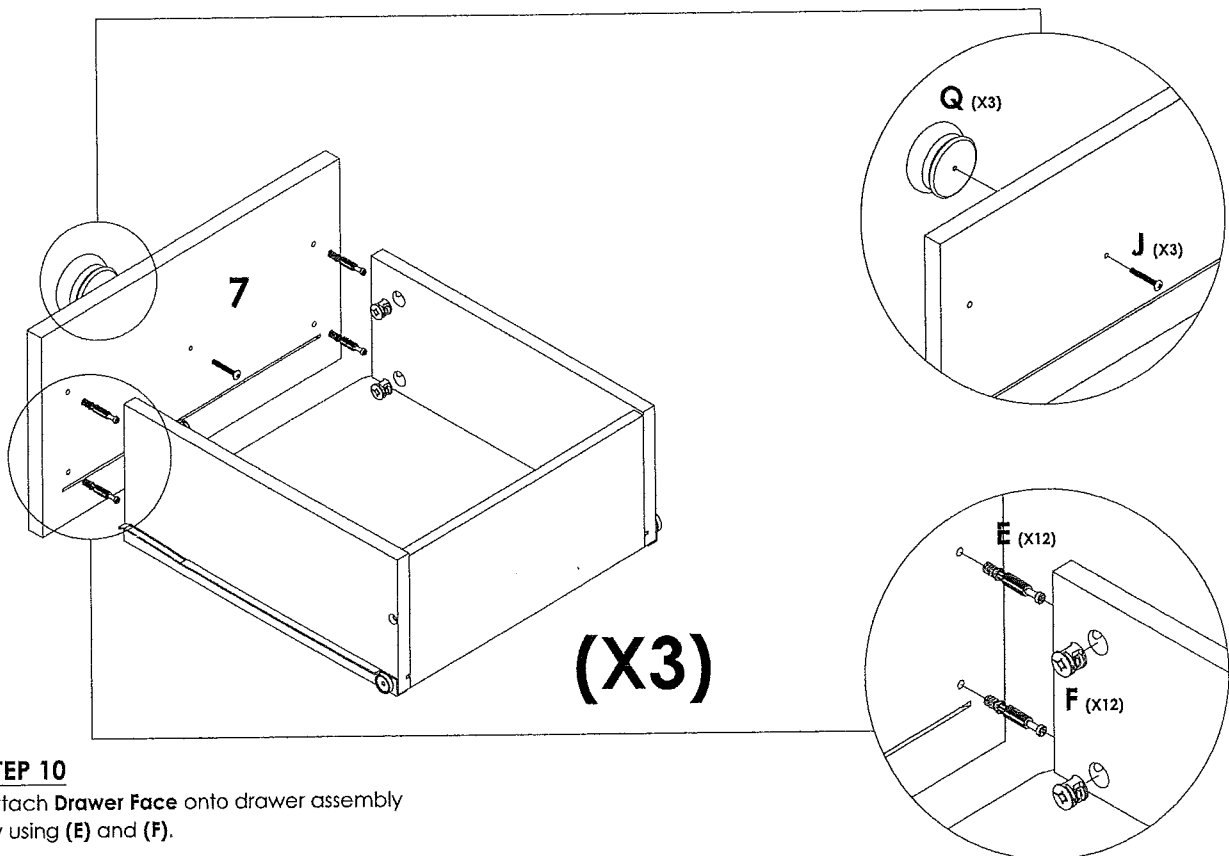
STEP 8

Attach and secure **Drawer Side (L/R)** onto **Drawer Rear** by using **(A)** and **(H)**, tighten it up by using a Crosshead Screw Driver.



STEP 9

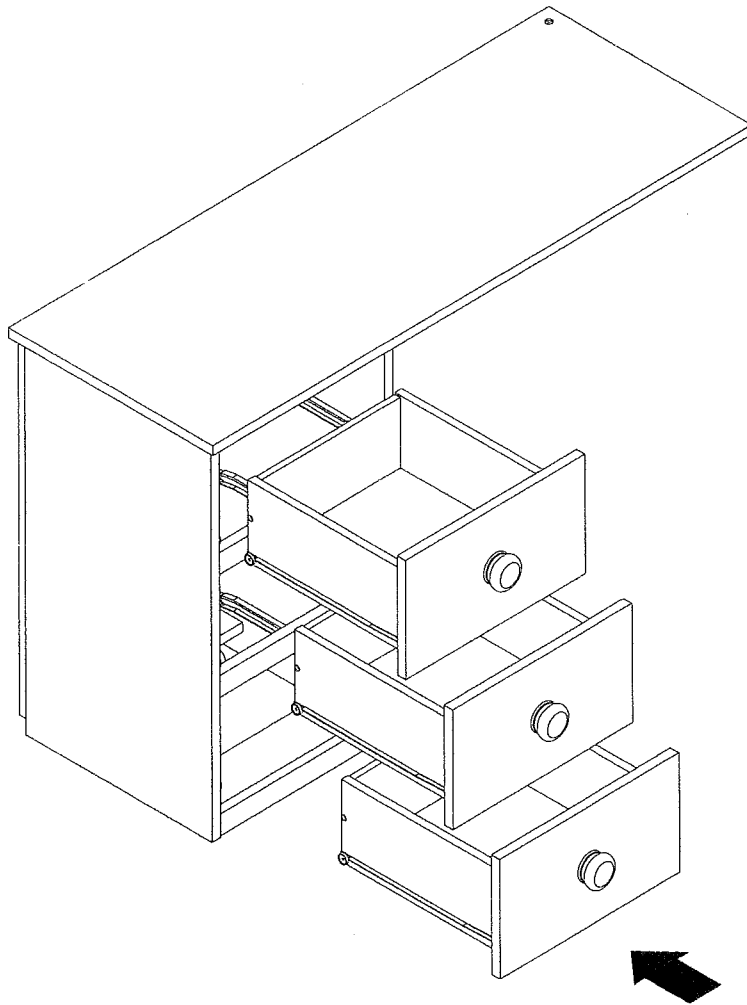
Insert **Drawer Base** into Drawer Assembly.



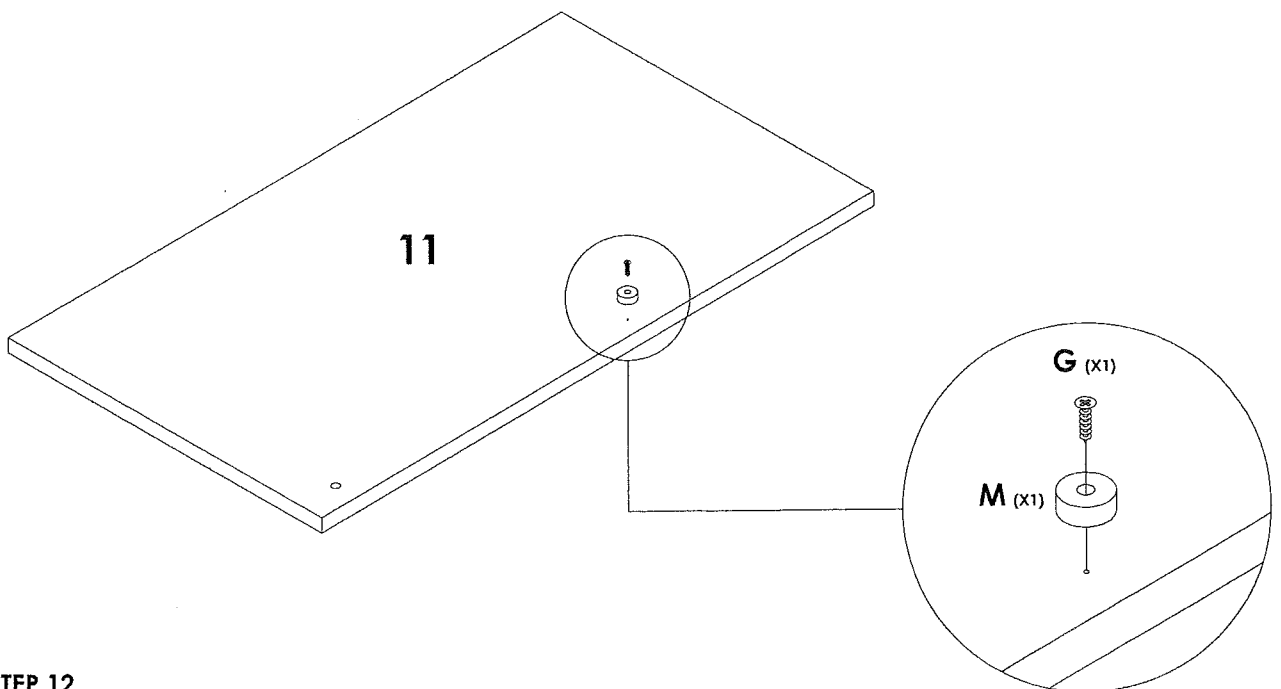
STEP 10

Attach **Drawer Face** onto drawer assembly by using **(E)** and **(F)**.

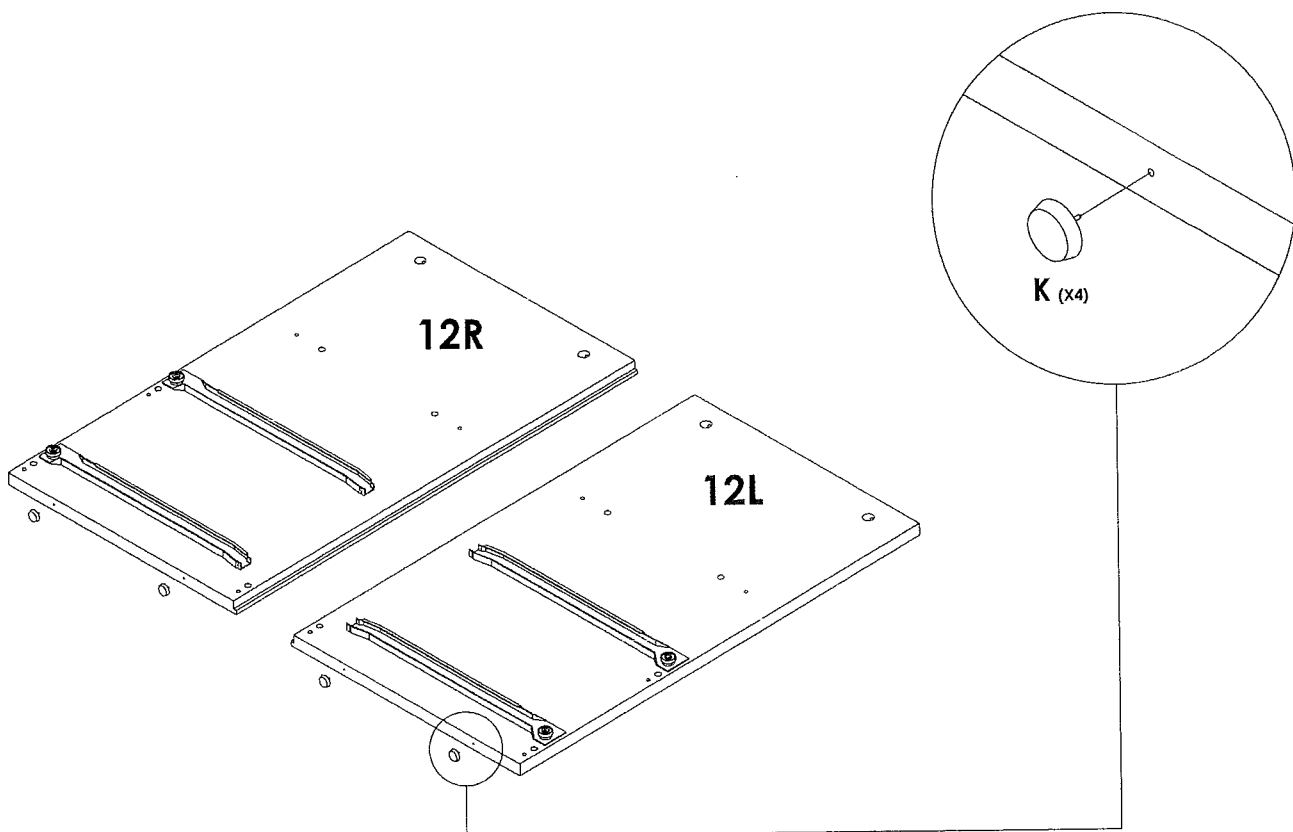
After assembling, attach **(Q)** onto **Drawer Face** and screw it up by using **(J)**, tighten it up by using a Crosshead Screw Driver.



STEP 11
Insert **Drawers** into the **Desk**.

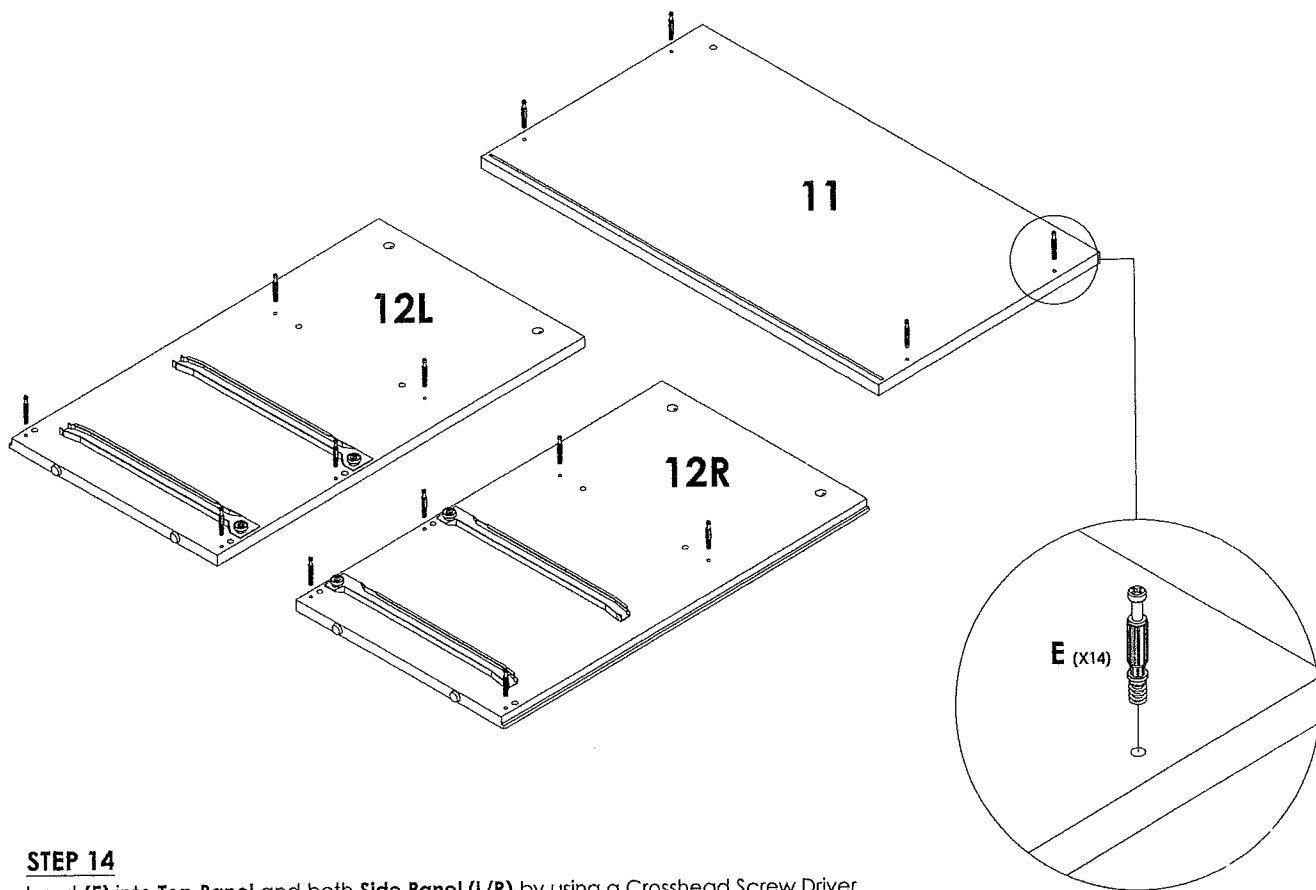


STEP 12
Attach (**M**) onto **Top Panel** by using (**G**) and a Crosshead Screw Driver.



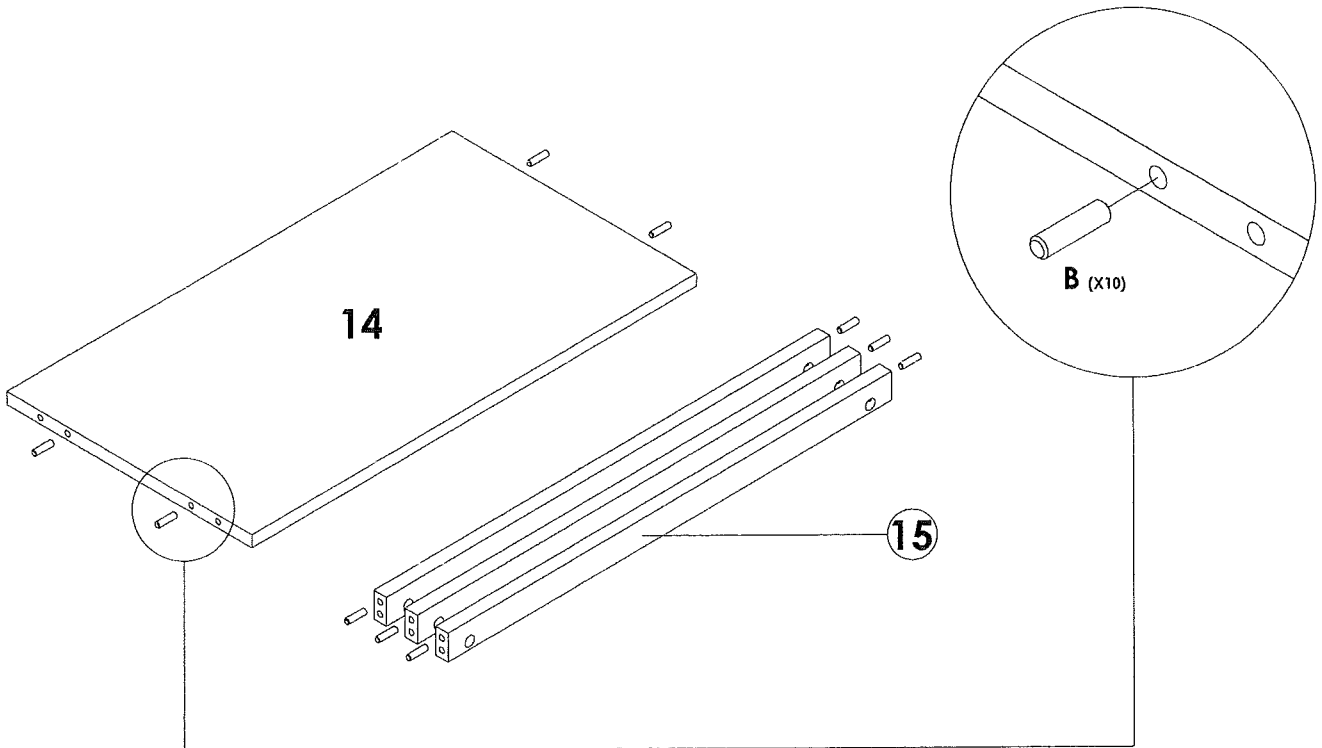
STEP 13

Attach (K) onto Side Panel (L/R).



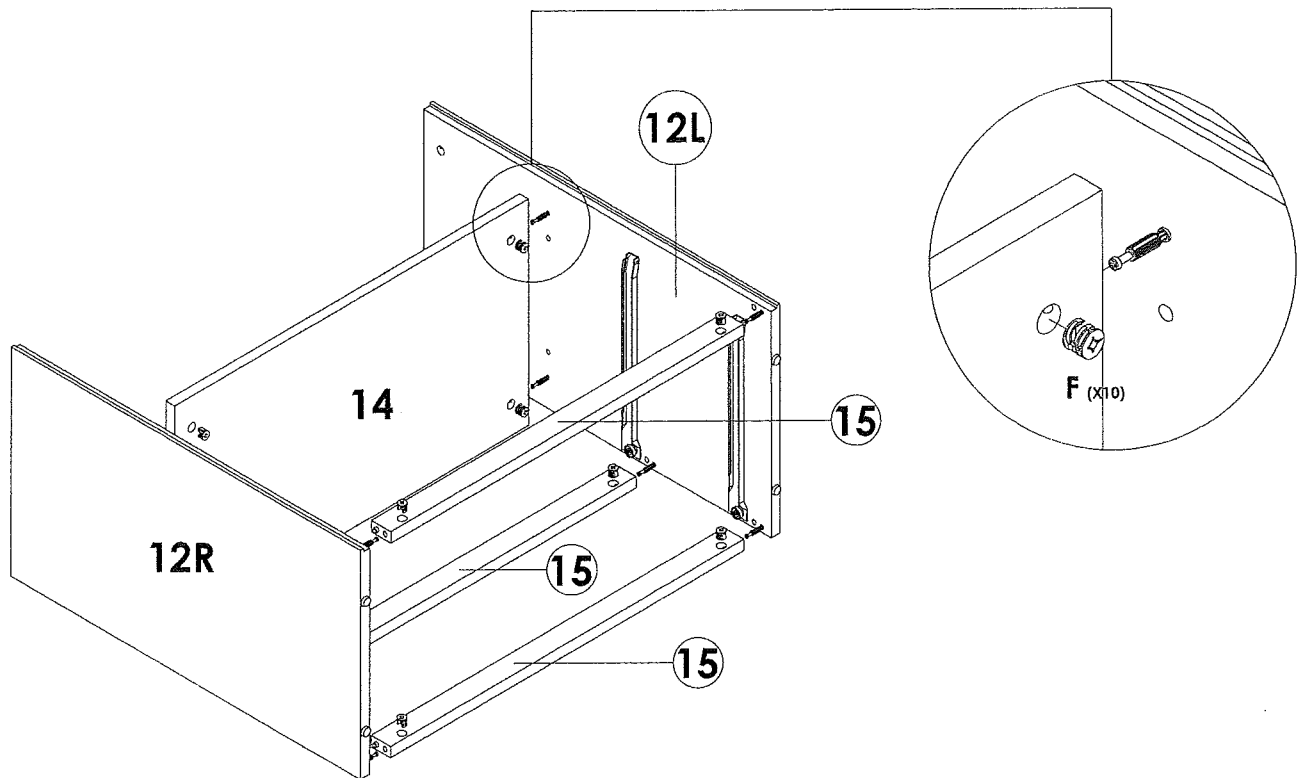
STEP 14

Insert (E) into Top Panel and both Side Panel (L/R) by using a Crosshead Screw Driver.



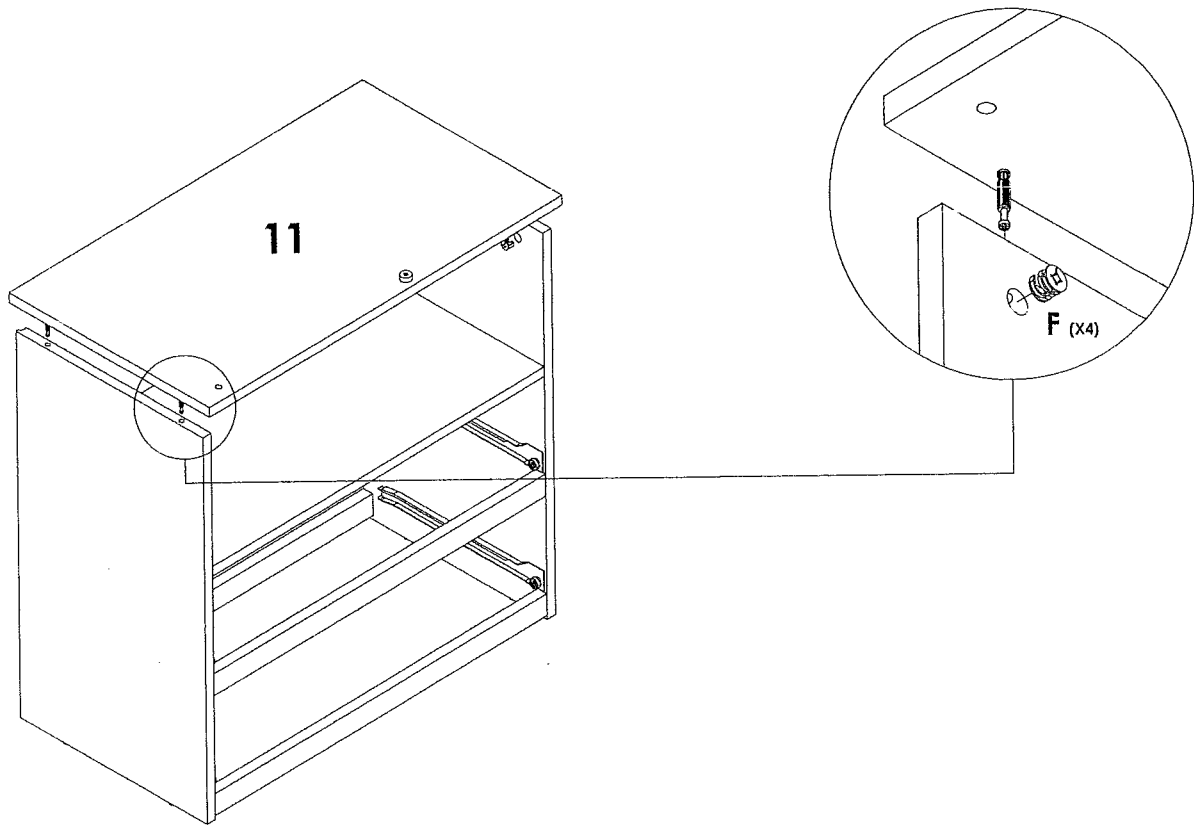
STEP 15

Attach (B) into Shelf and Rail by using a Rubber Hammer.



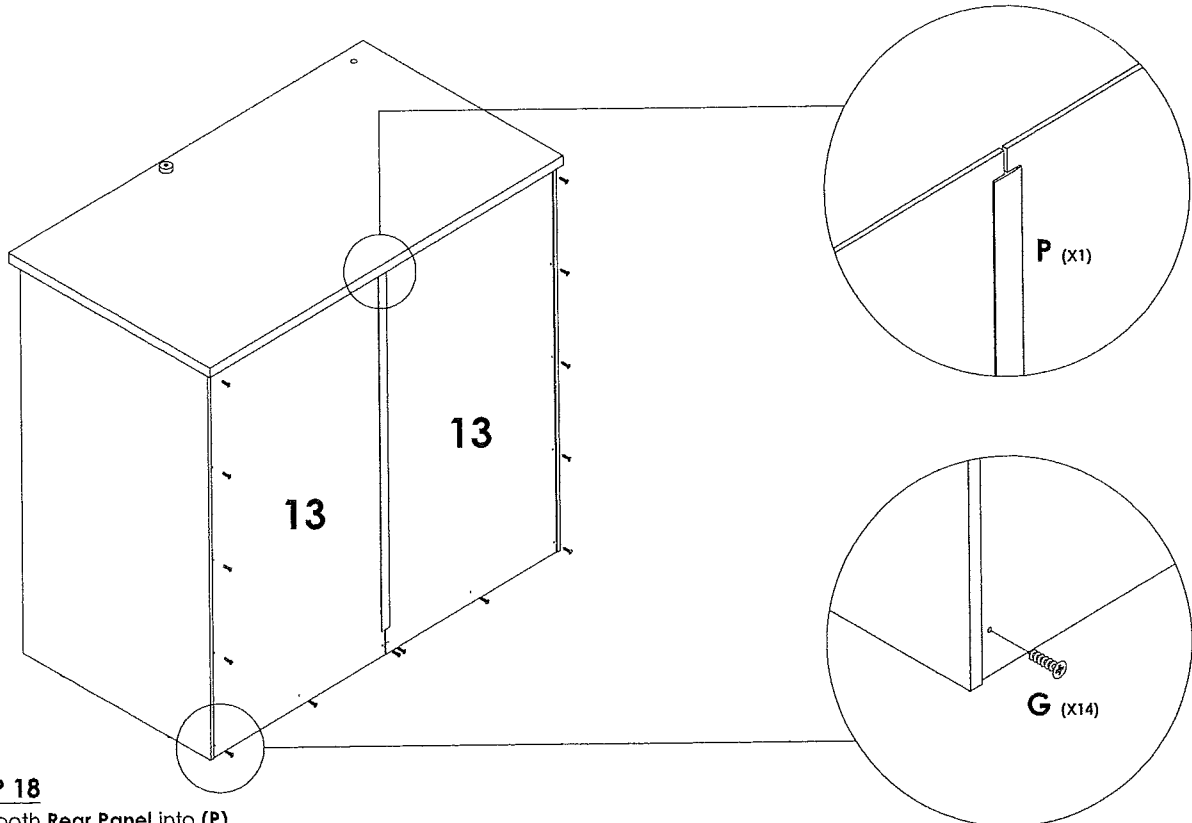
STEP 16

Attach and secure Shelf and Rail onto both Side Panel (L/R) by using (F) and a Crosshead Screw Driver.



STEP 17

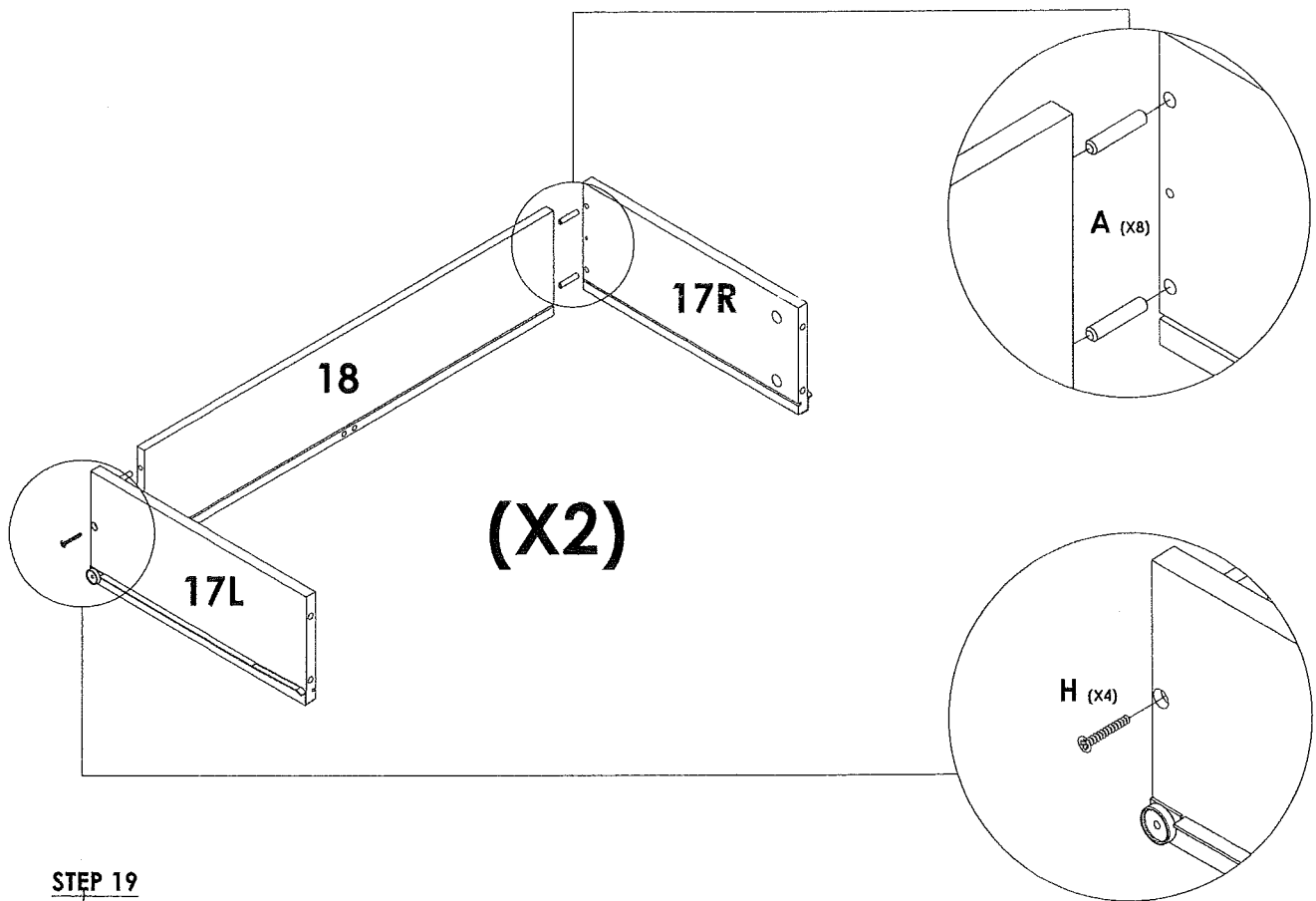
Attach and secure **Top Panel** onto **previous assembly** by using **(F)** and a Crosshead Screw Driver.



STEP 18

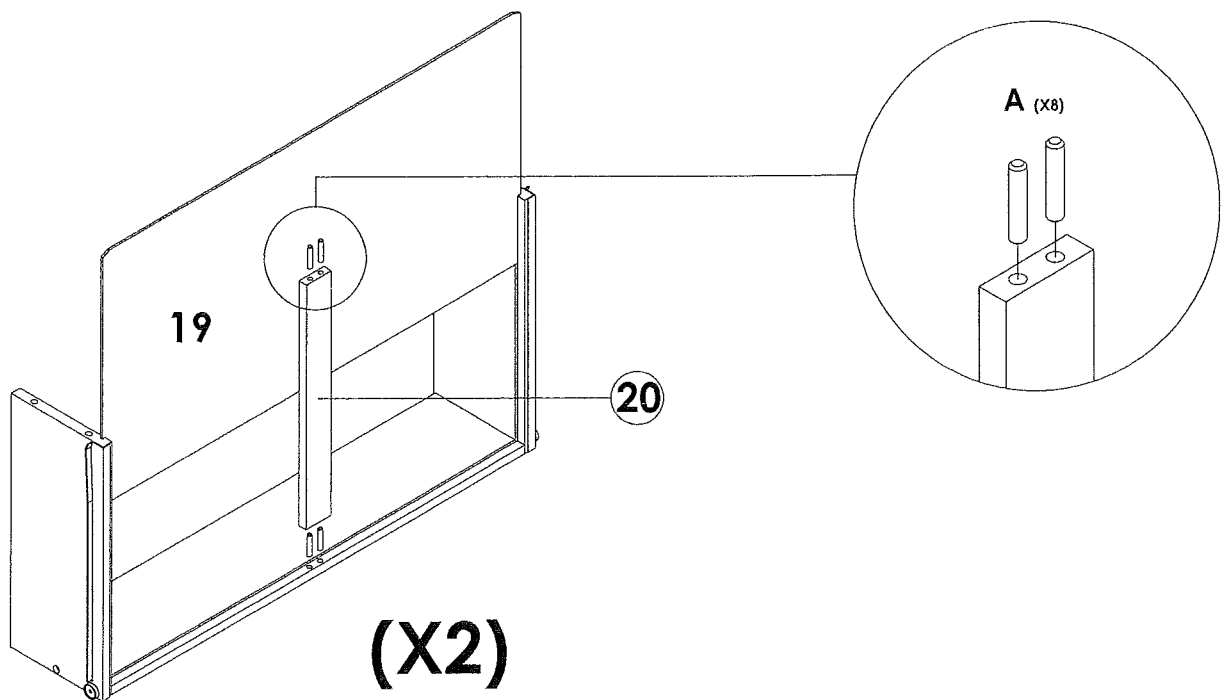
Slot both **Rear Panel** into **(P)**.

Attach it onto **Chest** and screw it up by using **(G)**.



STEP 19

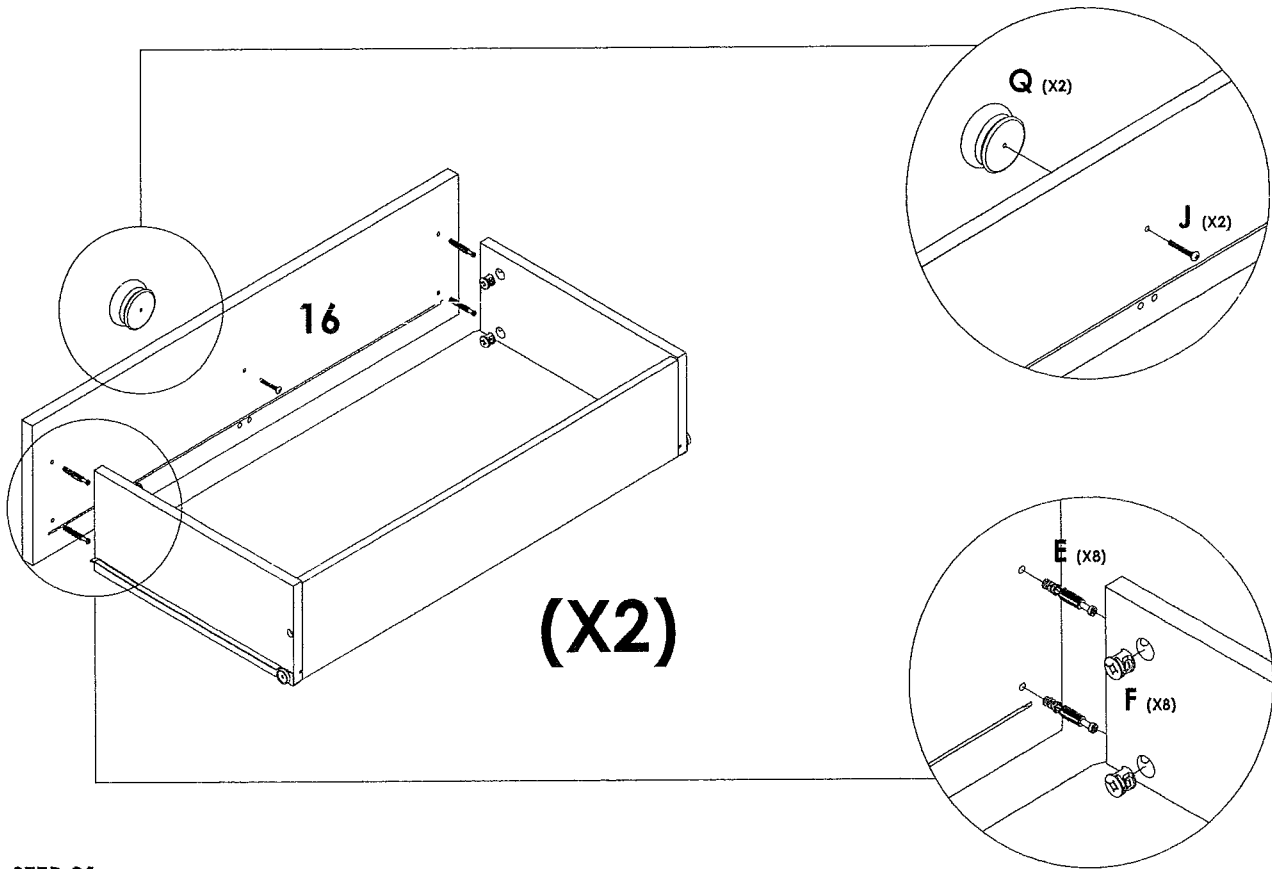
Attach and secure **Drawer Side (L/R)** onto **Drawer Rear** by using **(A)** and **(H)**, tighten it up by using a Crosshead Screw Driver.



STEP 20

Attach **Drawer Support** onto **Drawer Rear** by using **(A)**.

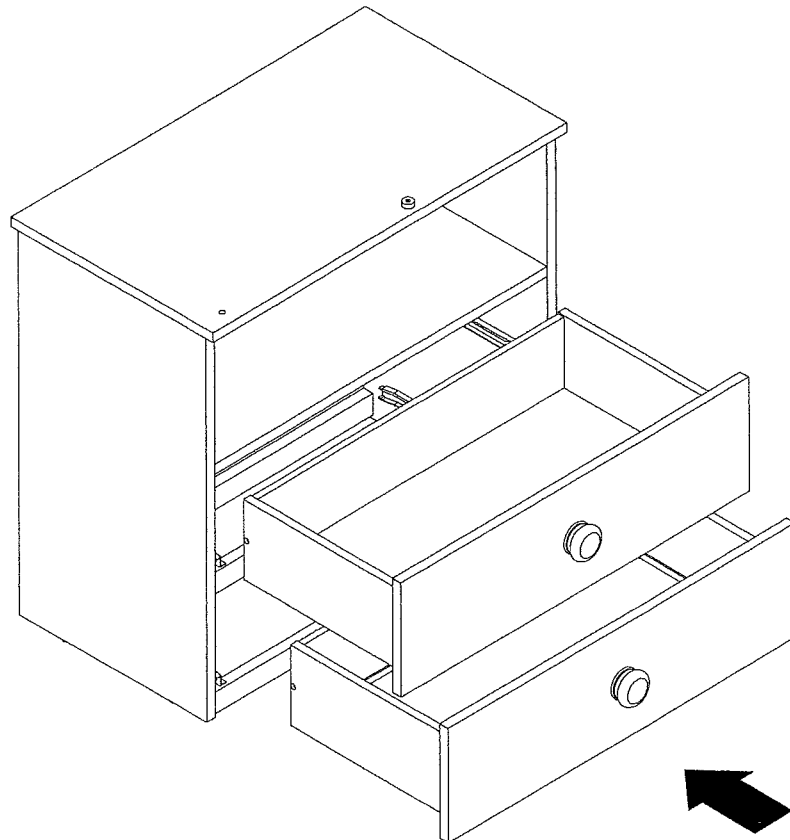
Insert **Drawer Rear** into drawer assembly.



STEP 21

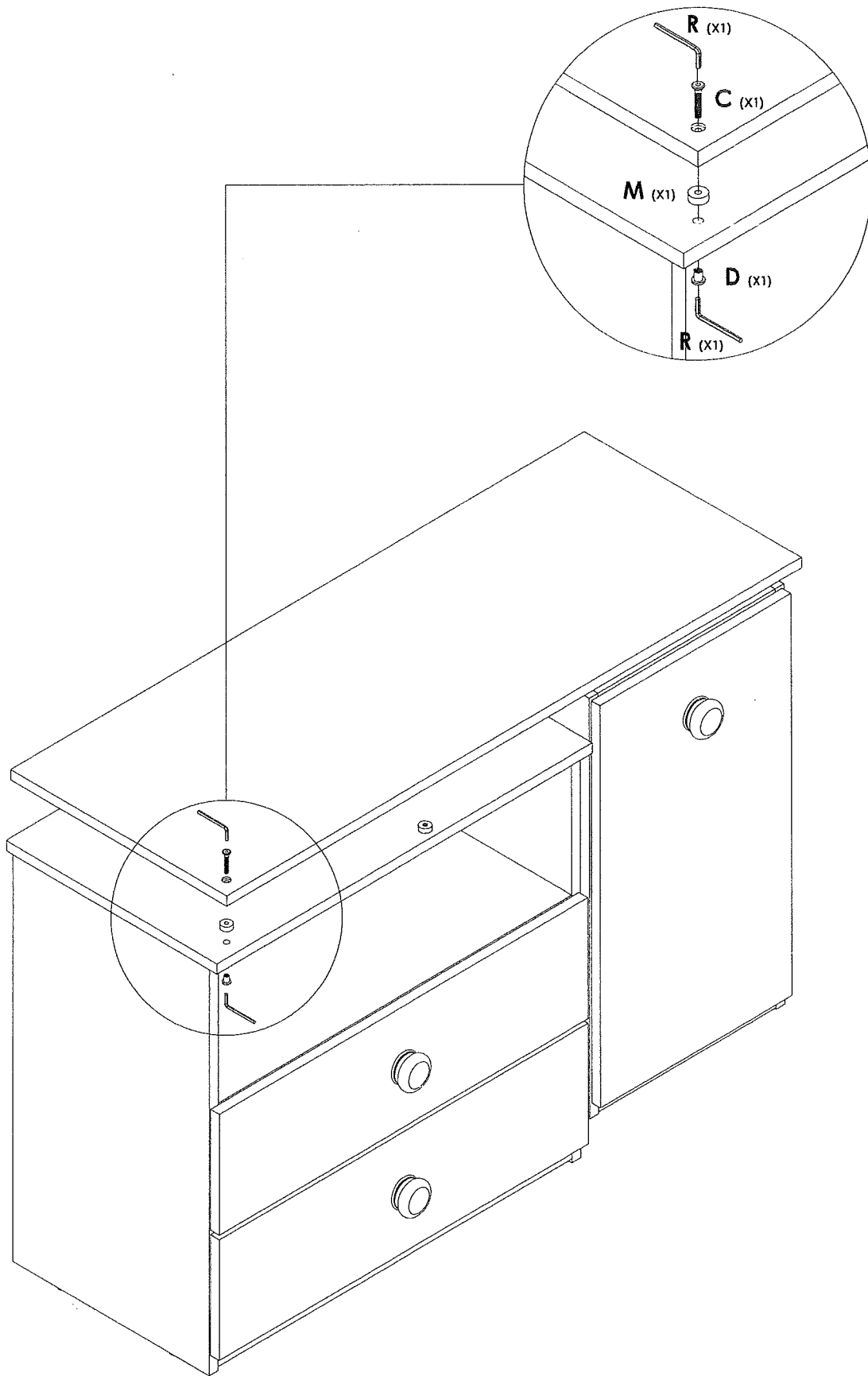
Attach **Drawer Face** onto drawer assembly by using **(E)** and **(F)**.

After assembling, attach **(Q)** onto **Drawer Face** and screw it up by using **(J)** and a Crosshead Screw Driver.



STEP 22

Insert all the **Drawer** into the **Chest**.



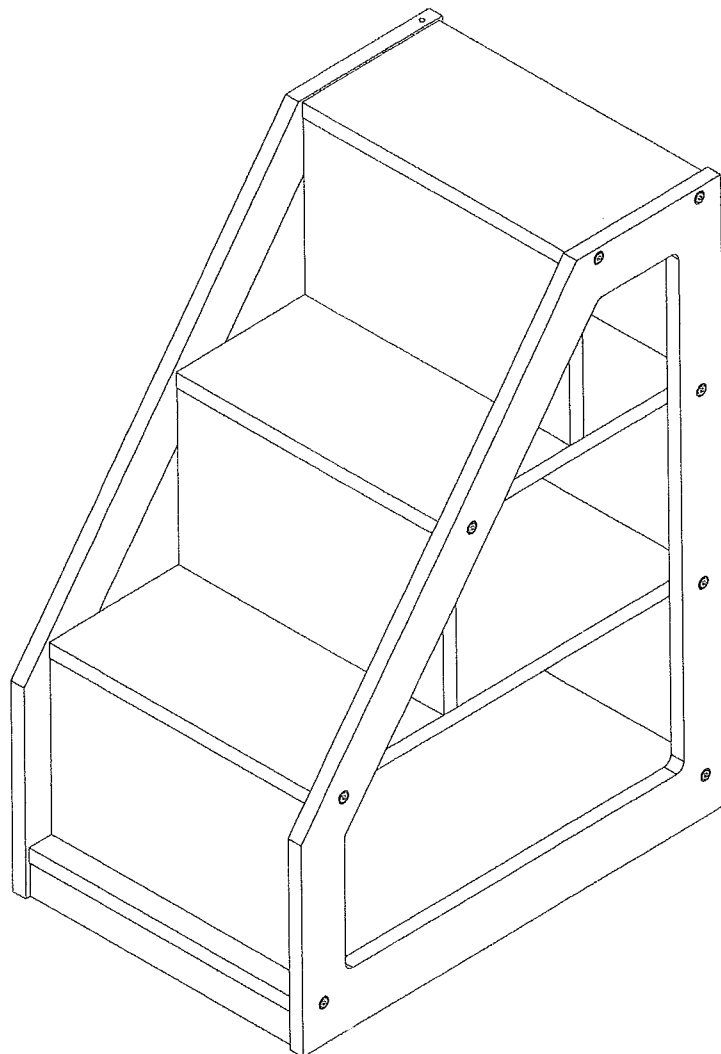
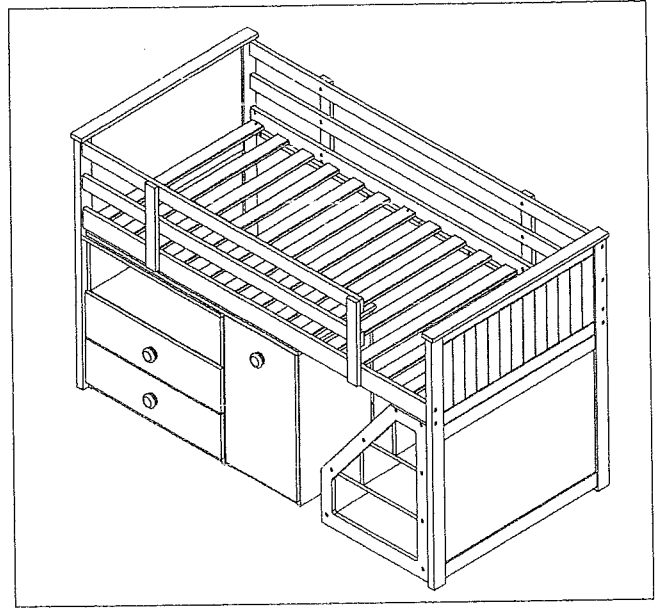
STEP 23

Attach and secure **Desk** and **Chest** together by using **(C)**, **(D)** and **(M)**. Tighten all of it up by using **(R)**. Go on to complete the entire assembly.

ASSEMBLY INSTRUCTION

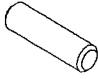
MODEL : 19405 TWIN MIDDLE LOFT BED - RACK LADDER

ACME FURNITURE



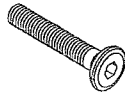
HARDWARE LIST

A **24 PCS**




PLASTIC DOWEL (M8 x 30MM)

B **16 PCS**



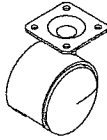
JCBC BOLT (M6 x 35MM)

C **24 PCS**



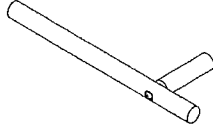
CSK C/B SCREW (M3.5 x 16MM)

D **4 PCS**



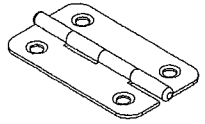
CASTOR 40P-C

E **1 PC**



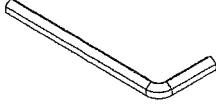
LATCH (5 x L23/L70 x M3MM)

F **2 PCS**



METAL HINGES (50 x 30 x 1.2MM)

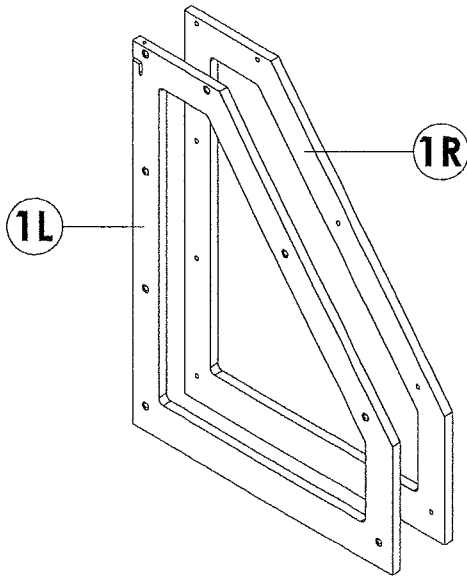
G **1 PC**



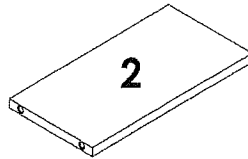
ALLEN KEY (M4 x 60MM)

Tool Required :
 Crosshead Screw Driver
 Rubber Hammer

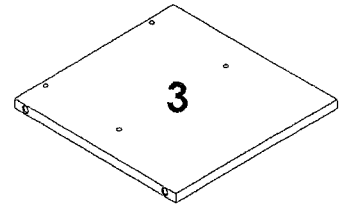
PART LIST



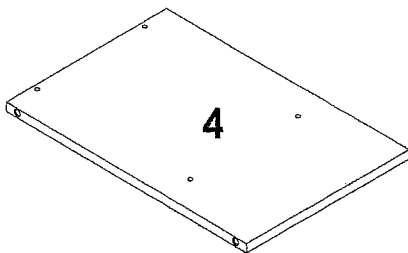
SIDE PANEL (L/R)
 (2 PCS / SET)
 CARTON 3 OF 5



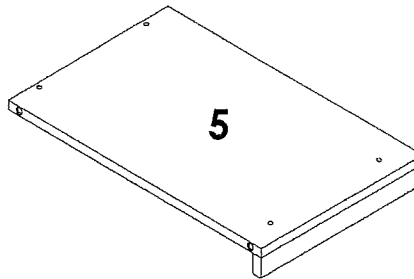
TOP SHELF
 (1 PC / SET)
 CARTON 3 OF 5



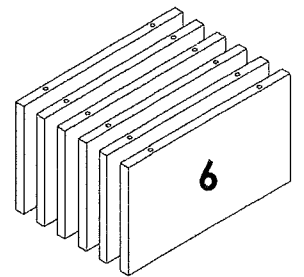
2ND SHELF
 (1 PC / SET)
 CARTON 3 OF 5



3RD SHELF
 (1 PC / SET)
 CARTON 3 OF 5

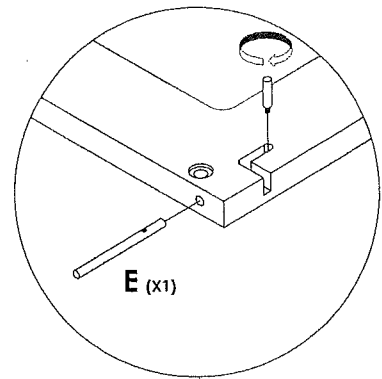
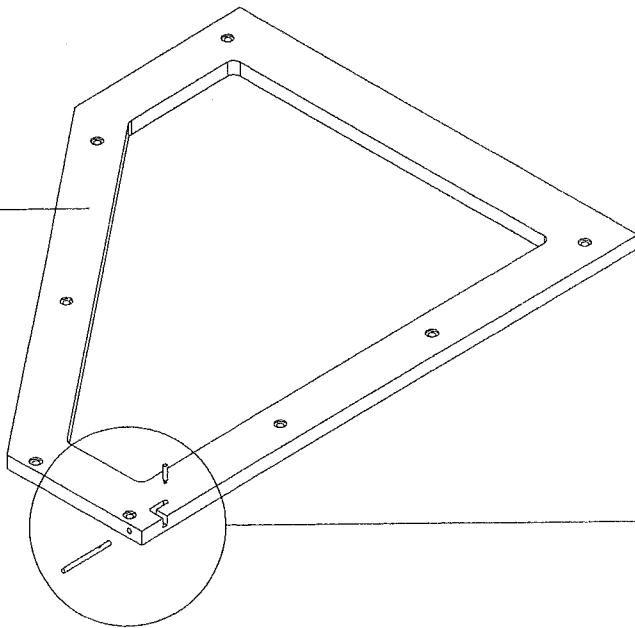


BOTTOM SHELF
 (1 PC / SET)
 CARTON 3 OF 5



SUPPORT PANEL
 (6 PCS / SET)
 CARTON 3 OF 5

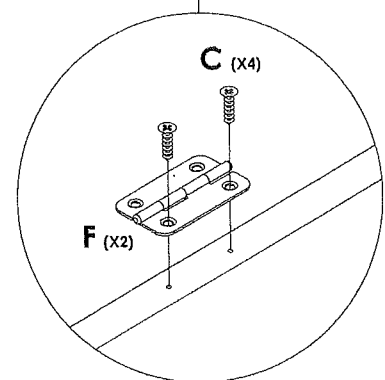
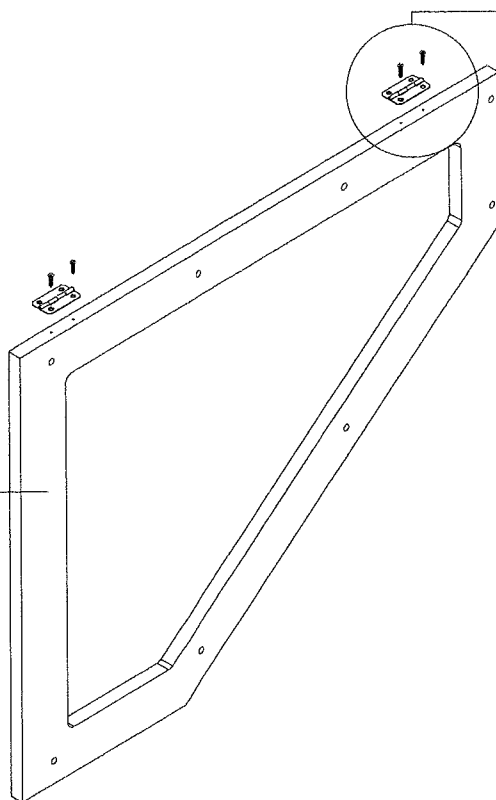
1L



STEP 1

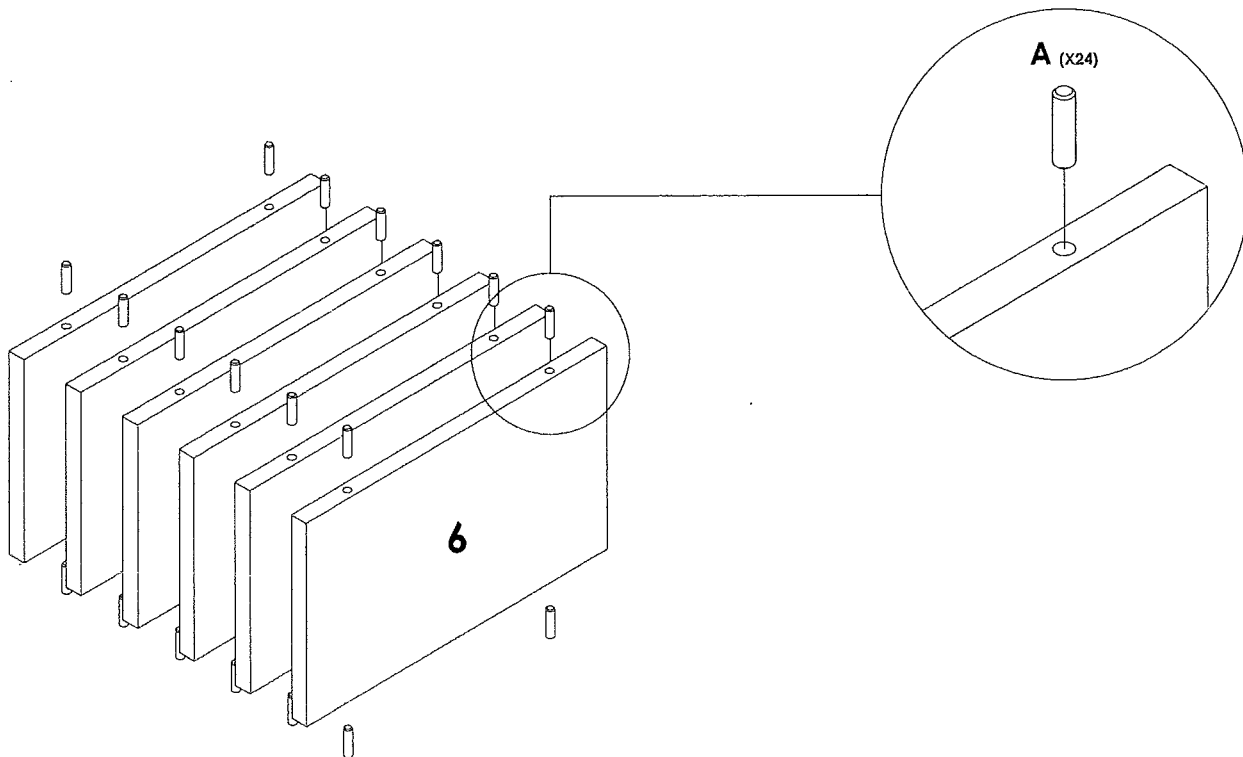
Attach (E) onto Side Panel (L) and screw the safety pin on (E).

1R



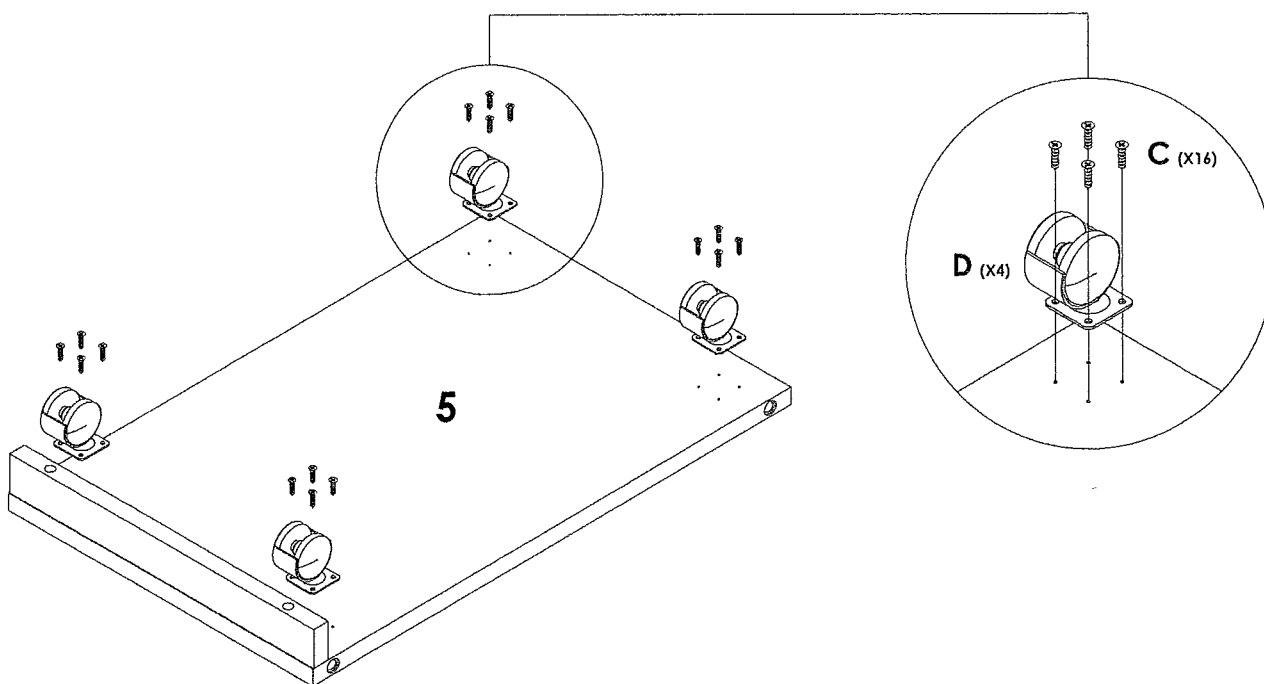
STEP 2

Attach (F) onto Side Panel (R) by using (C). Tighten it up by using Crosshead Screw Driver.



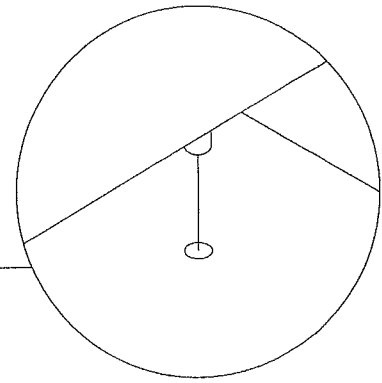
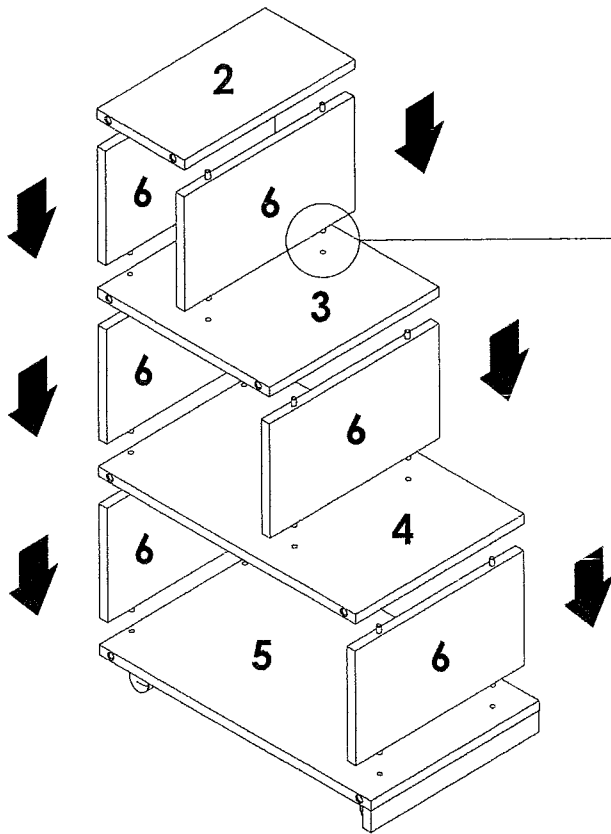
STEP 3

Insert (A) into the Ø8MM hole in Support Panel.



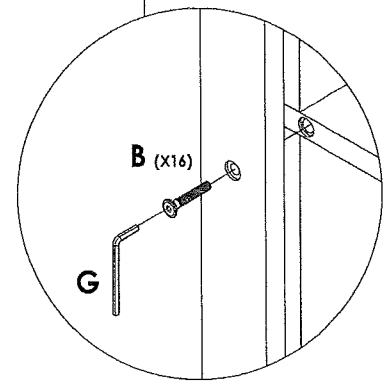
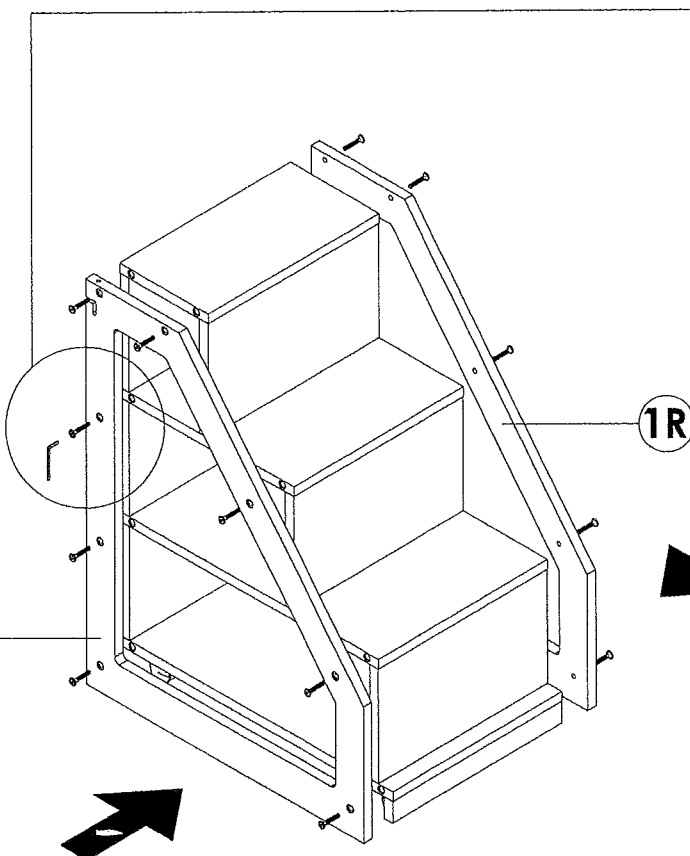
STEP 4

Attach (D) onto the Bottom Shelf by using (C). Tighten it up by using a Crosshead Screw Driver.



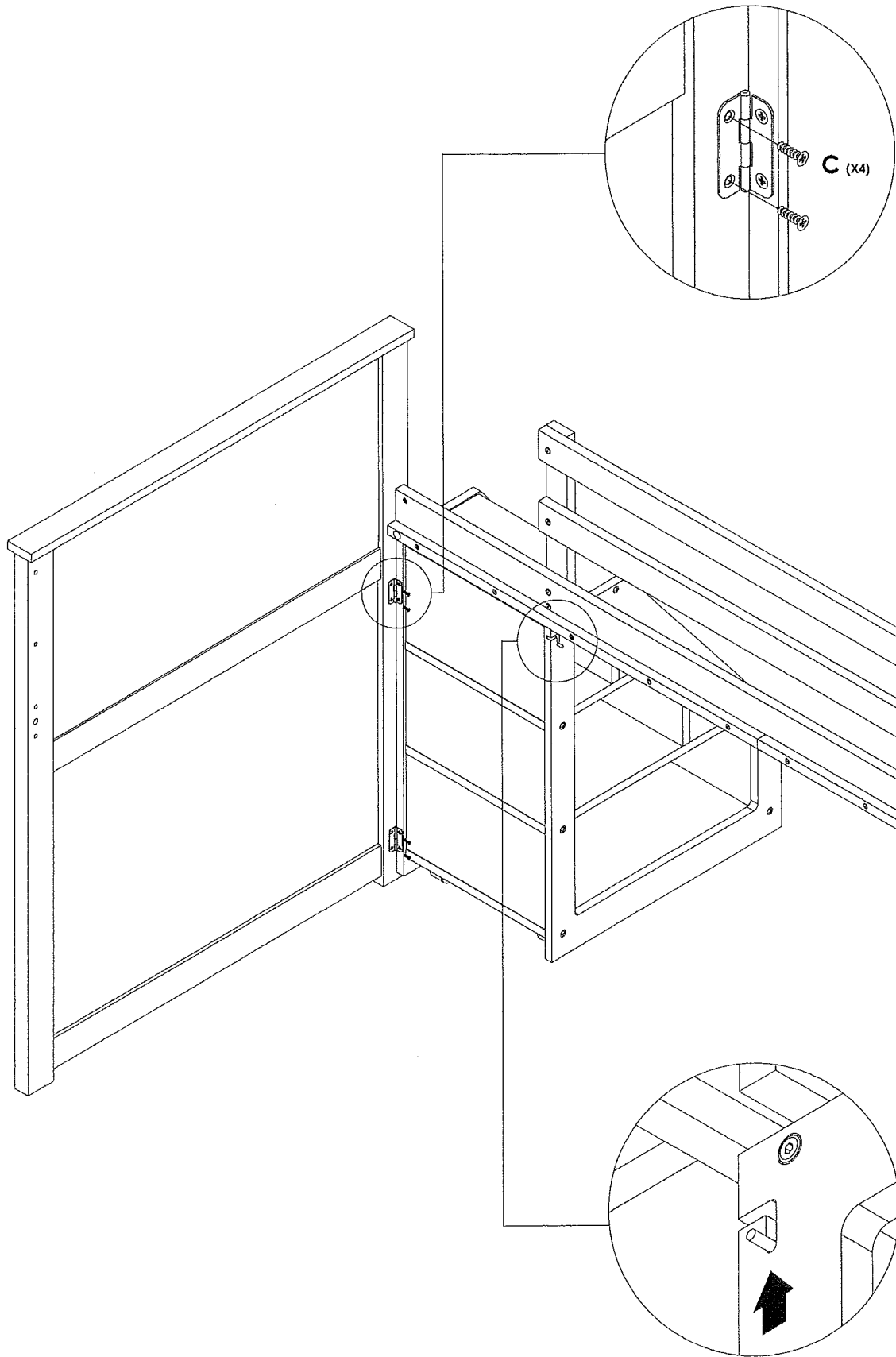
STEP 5

Attach **Support Panel** piece by piece onto each of the **Shelf**.



STEP 6

Attach **Side Panel** onto all the **Shelf** by using **(B)**, tighten it up by using **(G)**.



STEP 7
 Attach **Rack Ladder** and **Headboard** together by insert **(C)** and tighten it up by using a Crosshead Screw Driver.

SAFETY FEATURE
 Lock for holding Rack Ladder into position. Pull it up and turn to side for safety lock.