

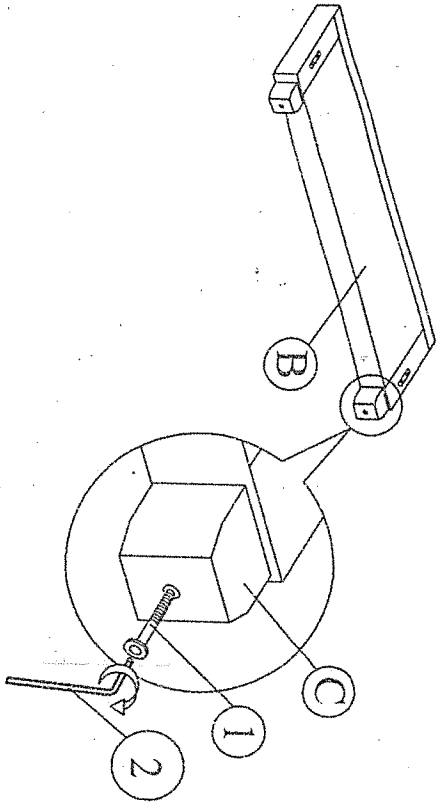
MODEL : QUEEN BED
 CT 8119 - PD 0030D

Assembly Instruction

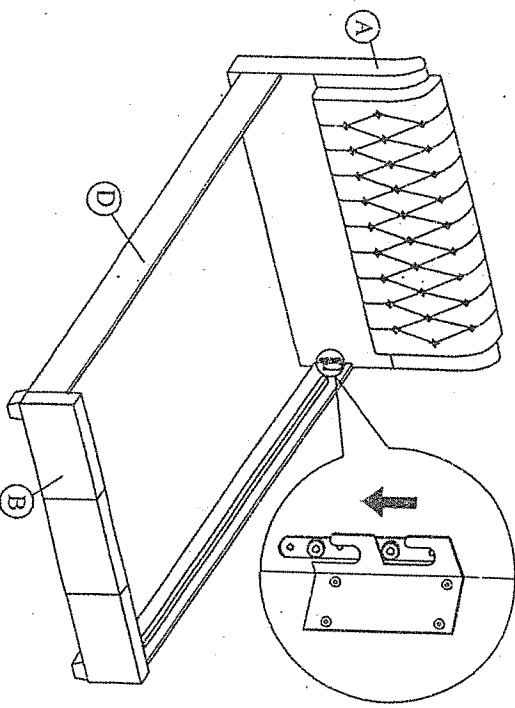
(BOX 1)
 BOX OF HEADBOARD & FOOTBOARD

NO	ITEM	QTY
A	HEADBOARD	1 PC
B	FOOTBOARD	1 PC
C	LEG	2 PCS

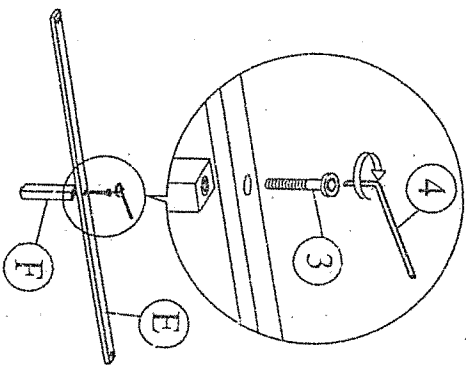
Step 1: Tighten the legs (C) to footboard (B) as shown.



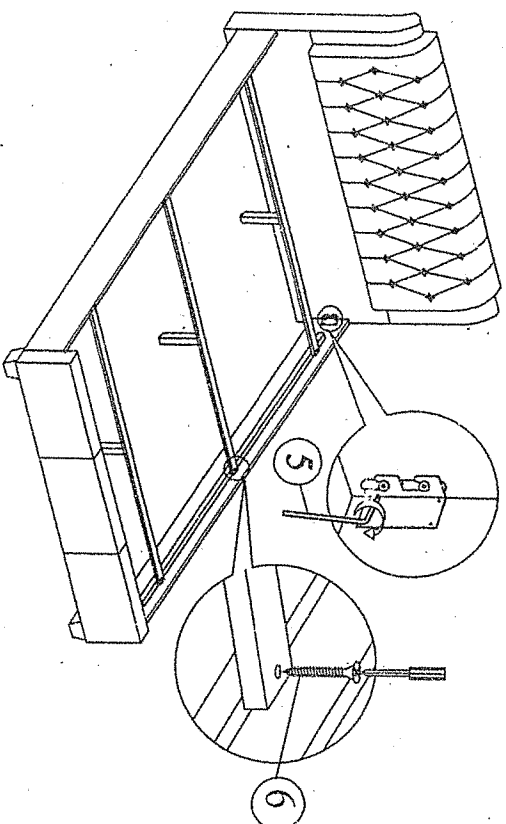
Step 2: Attach side rail (D) to headboard (A) and footboard (B) by pushing the bracke down to fit it.



Step 3: Attach the support legs (F) to the slat (E) of the bed as shown.



Step 4: Tighten the 4 Corner with Allen Key (5). Install the slats to side rail. Tighten the slats with CSK screw (6). The distance of the slats should be sufficient to obtain desirable bed stability.



(BOX 2)
 BOX OF SIDE RAIL

NO	ITEM	QTY
D	SIDE RAIL	2 PCS
E	SLAT	3 PCS
F	SUPPORT LEG	3 PCS

(BOX 1)
 HARDWARE LIST

NO	ITEM	QTY
1	JCB/C M6 x 50MM	2 PCS
2	M4 x 100MM	1 PC

(BOX 2)
 HARDWARE LIST

NO	ITEM	QTY
3	JCB/C M6 x 40MM	3 PCS
4	M4 x 55MM	1 PC
5	M5 x 70MM	1 PC
6	FLATHEAD CHAIRBOARD SCREW M4 x 20MM	6 PCS