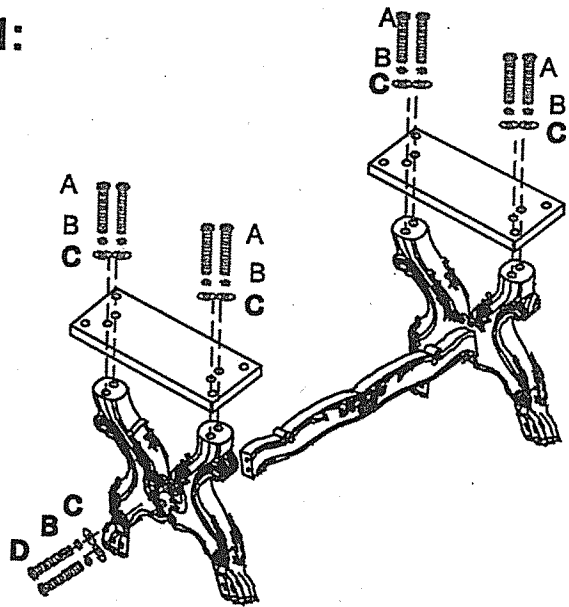
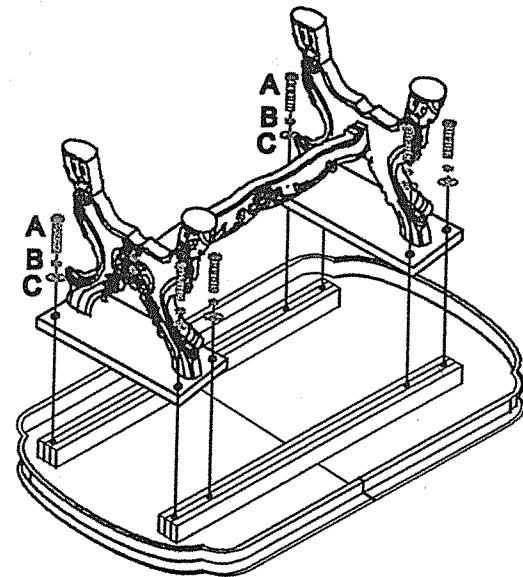


# ASSEMBLY INSTRUCTION

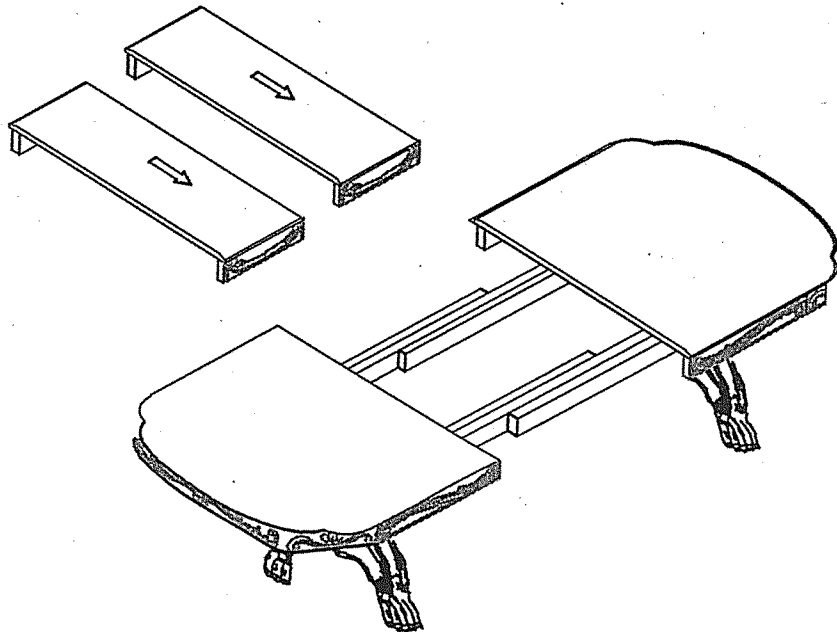
Step 1:



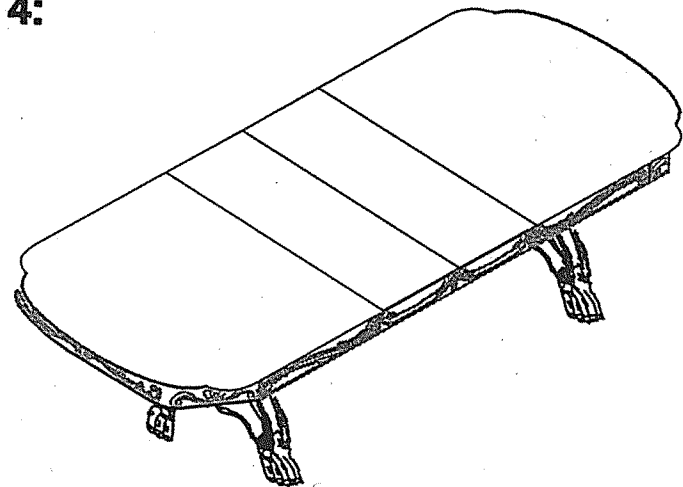
Step 2:



Step 3:



Step 4:



No.:	Description	Drawing	Size	C
A	Short Bolt		Ø5/16"X2"	
B	Lock Washer		Ø5/16"X12mm	
C	Flat Washer		Ø5/16"X22mm	
D	Short Bolt		Ø5/16"X4"	
E	Allen Wrench		5mm	