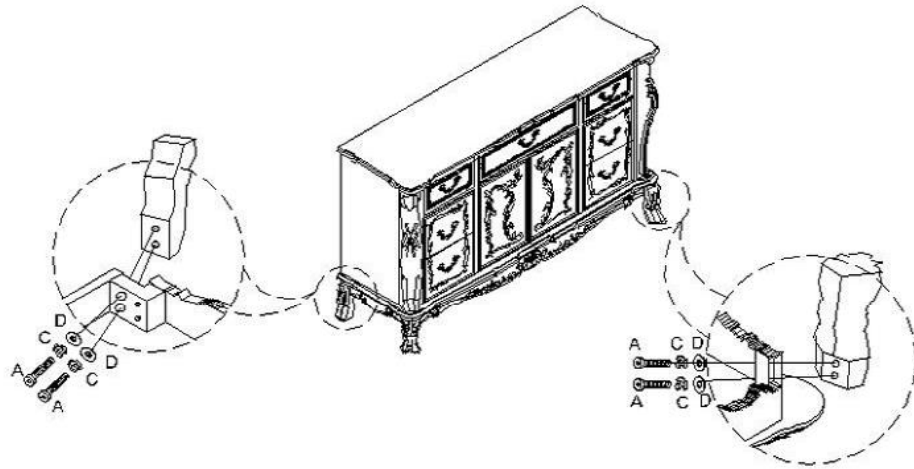
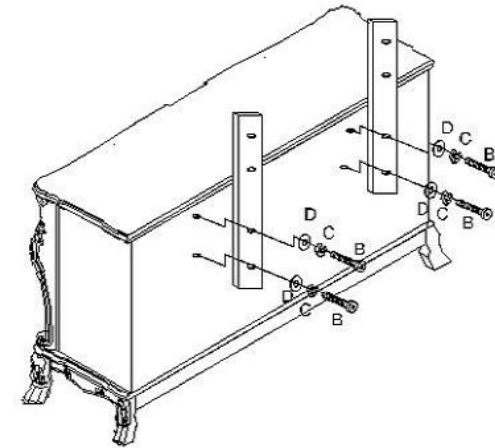


ASSEMBLY INSTRUCTION

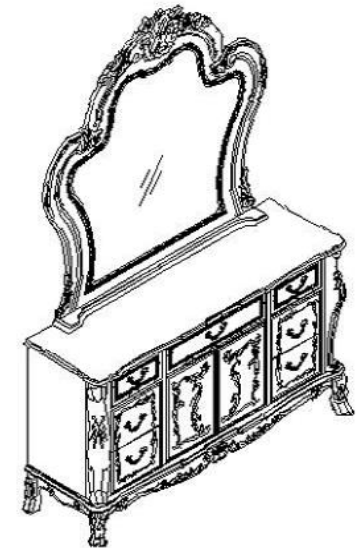
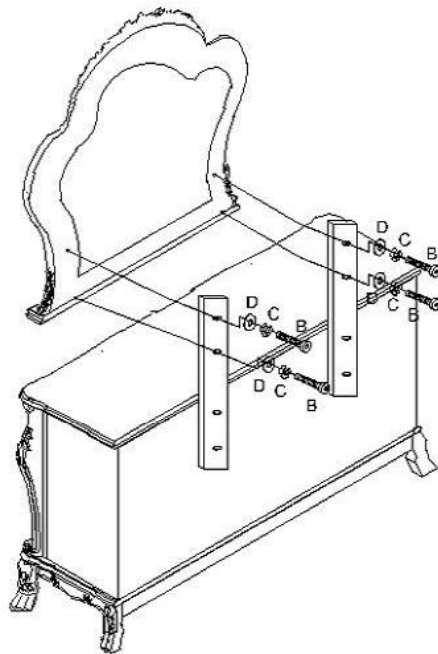
Step 1:








Step 2:



Finish :



Hardware List

No.:	Description	Drawing	Size	Q'ty
A	Bolt		05/16"X2"	8
B	Bolt		05/16"X1-1/4"	8
C	Lock Washer		Ø7/16"X12mm	16
D	Flat Washer		Ø7/8"X19mm	16
E	Allen Wrench		5mm	1