

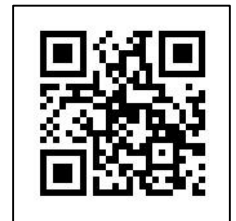
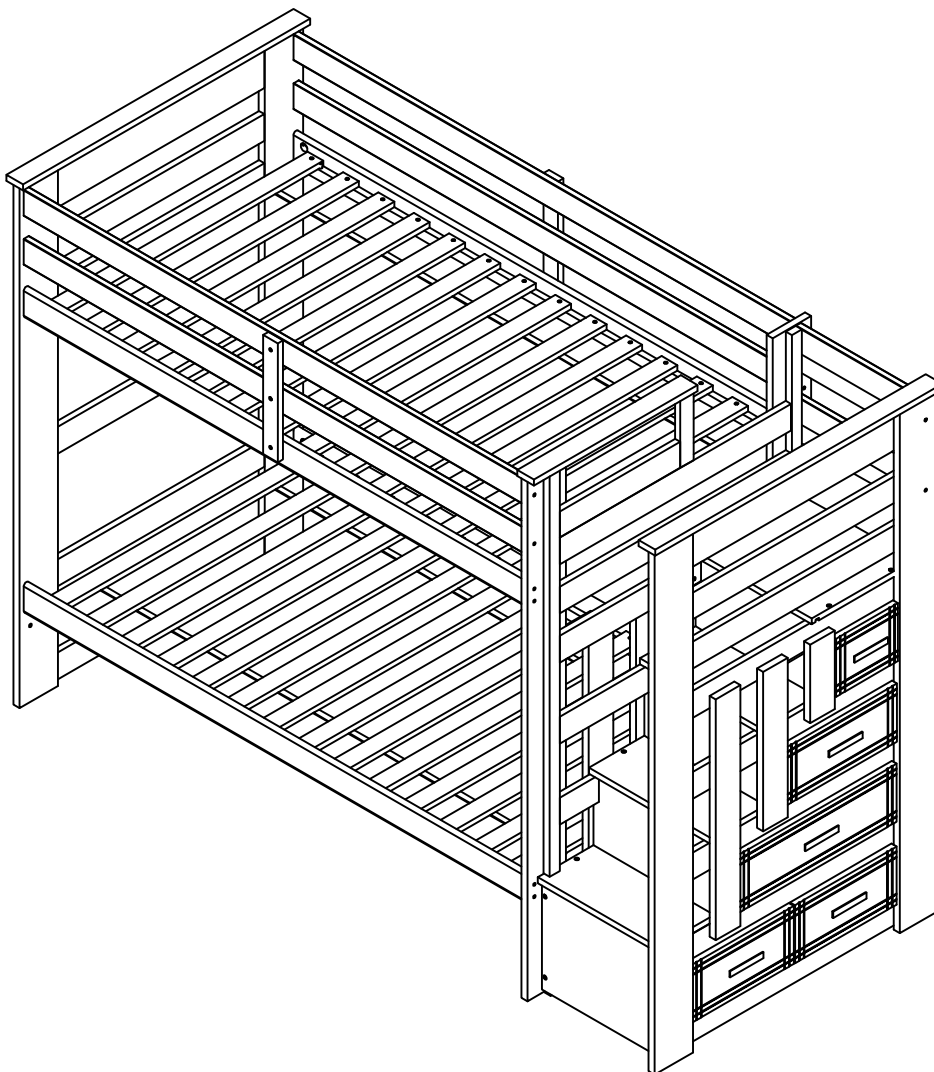


ASSEMBLY INSTRUCTIONS

Item No: #10170B
#10170W
#37370






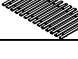
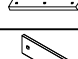
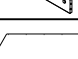



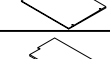


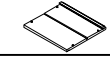




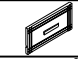
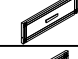
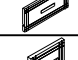
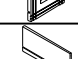

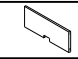
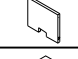
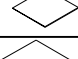
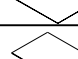

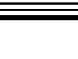

*** Thank you for purchasing this quality product. Be sure to check all packing materials carefully for small parts which may have come loose inside the carton during shipment. Identify and count all parts and compare with parts list below.

*** Assemble product on a flat, soft surface such as a carpet or cloth to prevent scratching the finish. Read all instruction and study the drawings carefully before starting the assembly process.




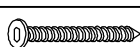
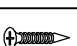
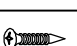

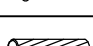



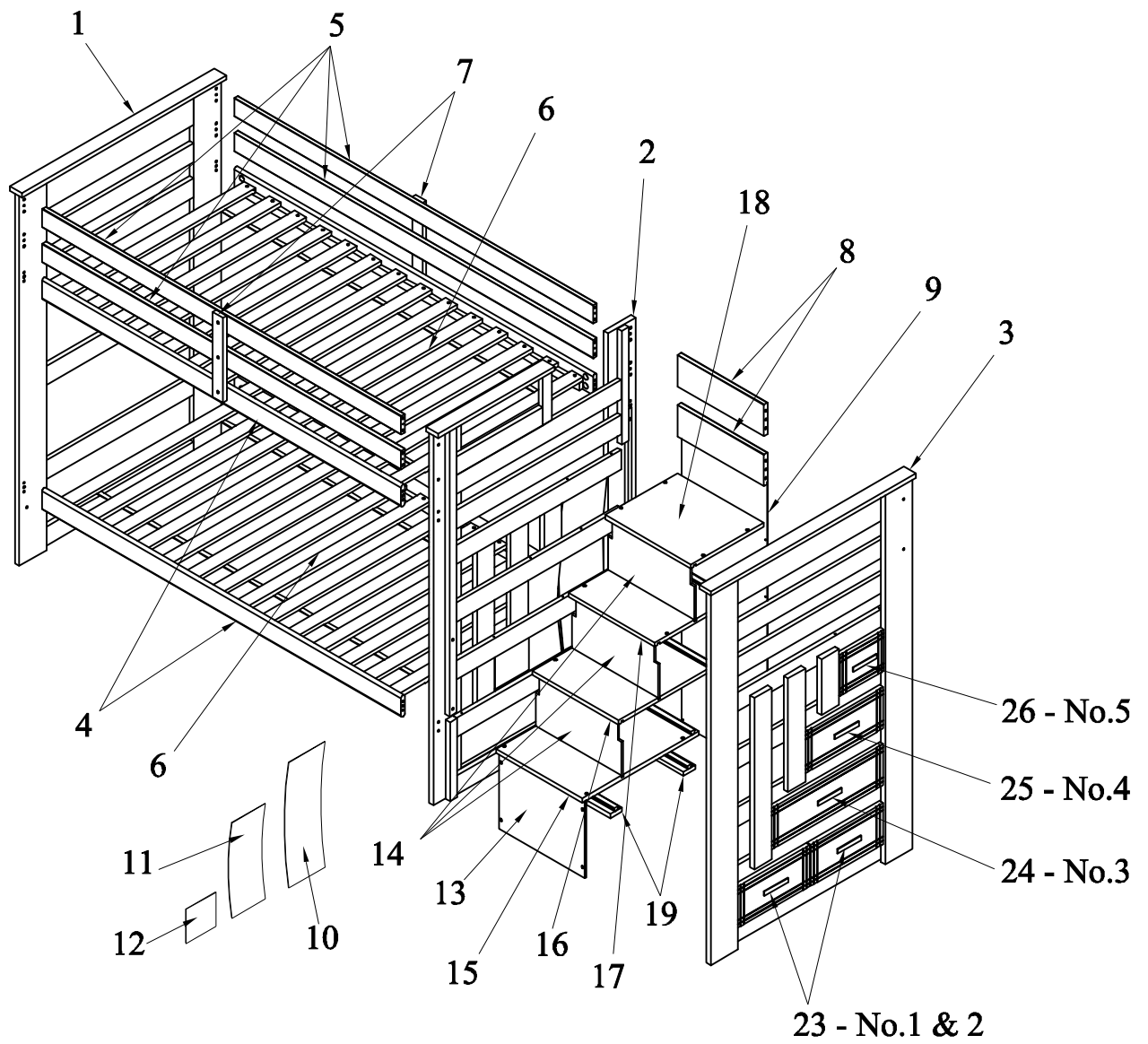
IMPORTANT: Do not tighten bolts completely until all bolt are completely lined up and inserted into holes

PARTS LIST

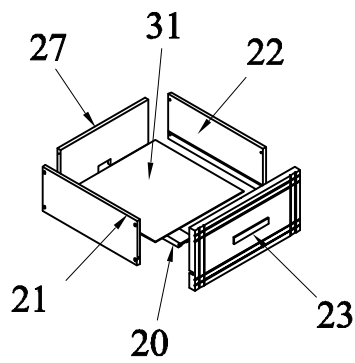
No	DRAGRAM	PART NAME	Q'Ty
1		Headboard (Left Side)	1 pc
2		Headboard (Mid Side)	1 pc
3		Headboard (Right Side)	1 pc
4		Side Rail	4 pcs
5		Guardrail	4 pcs
6		Completed Twin Slat (14pcs/1set)	2 sets
7		Guardrail Support	2 pcs
8		Back Bar	2 pcs
9		Back Panel	1 pc
10		Headboard (Mid side) Panel 1	1 pc
11		Headboard (Mid side) Panel 2	1 pc
12		Headboard (Mid side) Panel 3	1 pc
13		Ladder - Front Panel 1	1 pc
14		Ladder - Front Panel 2, 3, 4	3 pcs
15		Ladder - Step Panel 1	1 pc
16		Ladder - Step Panel 2	1 pc
17		Ladder - Step Panel 3	1 pc
18		Ladder - Step Panel 4	1 pc
19		Mail Guide Drawer	2 pcs
20		Femall Guide Drawer	5 pcs
21		Side Drawer Panel (Lelf Side)	5 pcs
22		Side Drawer Panel (Right Side)	5 pcs
23		Front Drawer Panel 1,2	2 pcs
24		Front Drawer Panel 3	1 pc
25		Front Drawer Panel 4	1 pc
26		Front Drawer Panel 5	1 pc
27		Back Drawer Panel 1,2	2 pcs
28		Back Drawer Panel 3	1 pc
29		Back Drawer Panel 4	1 pc
30		Back Drawer Panel 5	1 pc
31		Bottom Drawer Panel 1,2	2 pcs
32		Bottom Drawer Panel 3	1 pc
33		Bottom Drawer Panel 4	1 pc
34		Bottom Drawer Panel 5	1 pc

HARDWARE LIST

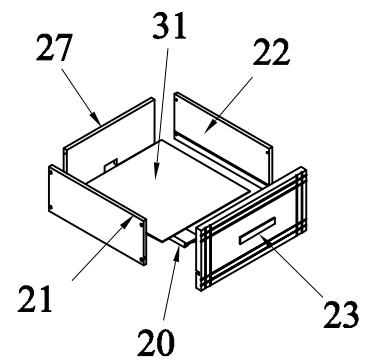
No	DRAGRAM	PART NAME	Q'Ty
A		Bolt: 6.3 * 80 (mm) Half Round Nut	4 sets
B		Bolt: 6.3 * 60 (mm) Half Round Nut	16 sets
C		Bolt: 6.3 * 35 (mm)	24 pcs
D		Screw: 7 * 50 (mm)	8 pcs
E		Screw: 4 * 30 (mm) - Small post	62 pcs
F		Screw: 4 * 30 (mm) - Big Post	50 pcs
G		Screw: 3.5 * 15 (mm)	13 pcs
H		Wood Dowel: 10 * 40 (mm)	32 pcs
I		Allen Key	1 Pc



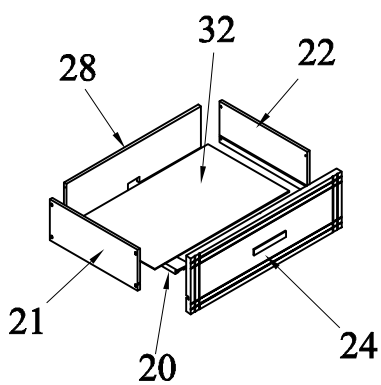
Drawer - No.1



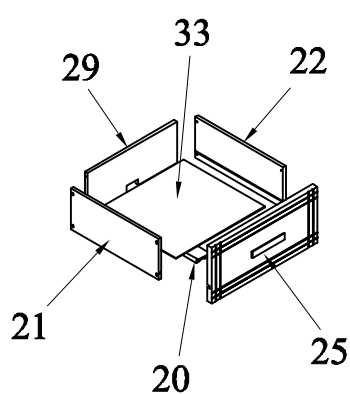
Drawer - No.2



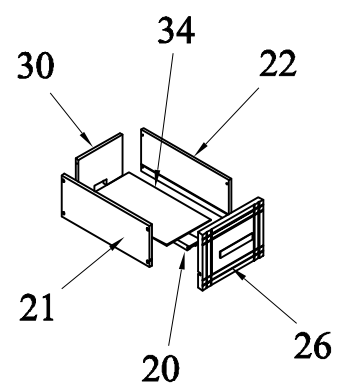
Drawer - No.3



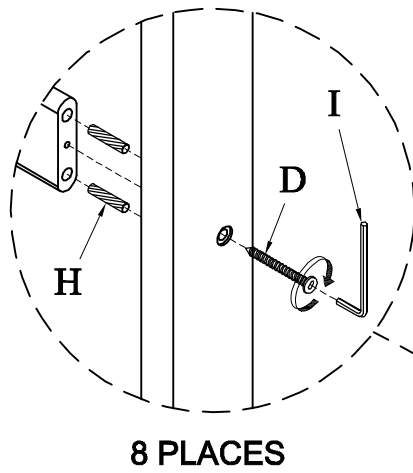
Drawer - No.4



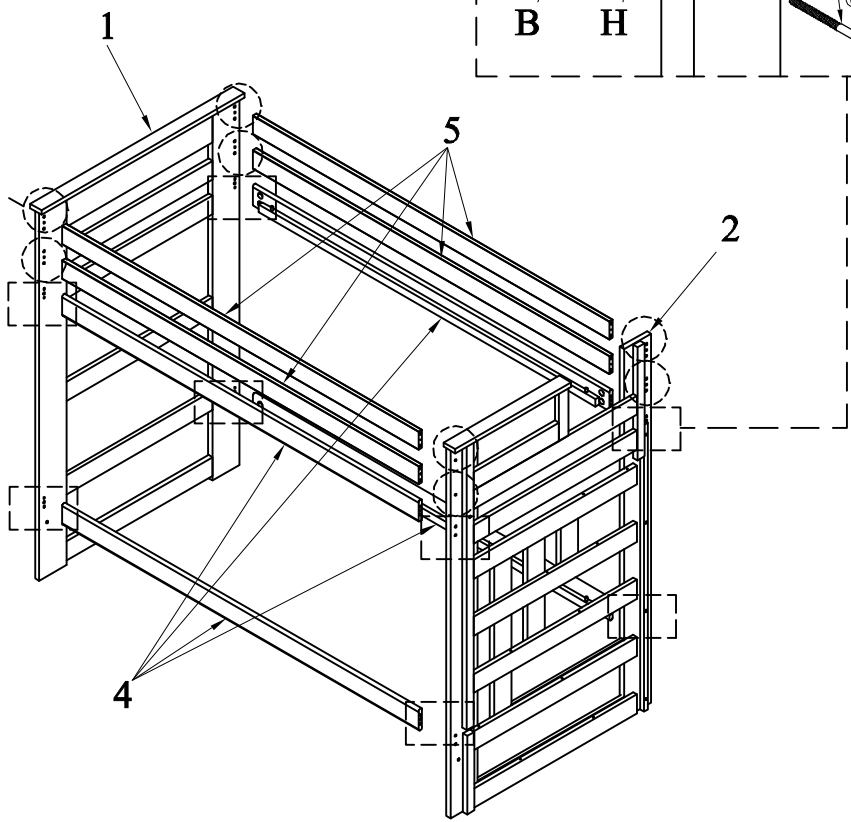
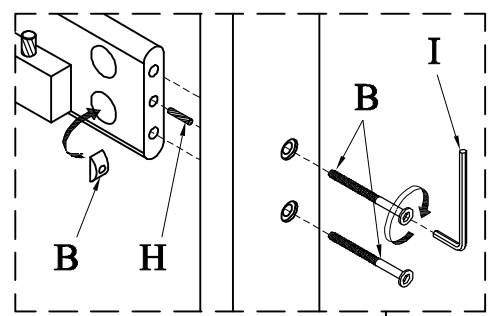
Drawer - No.5



STEP 1: Headboard Assembly

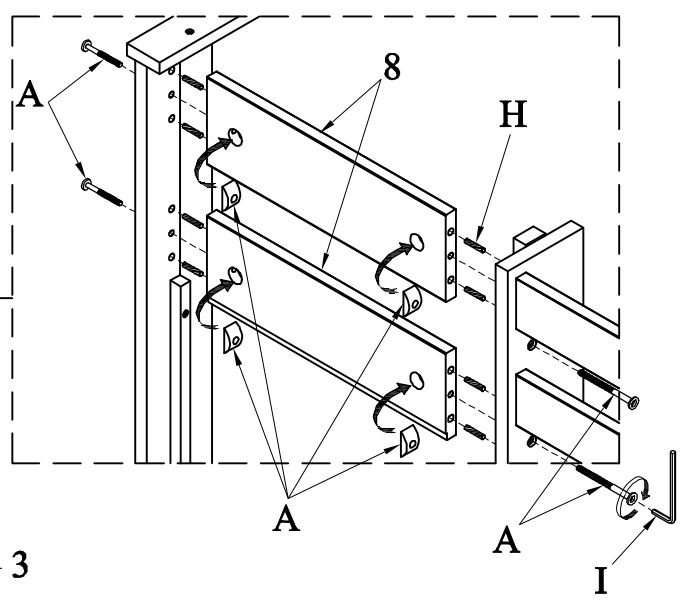
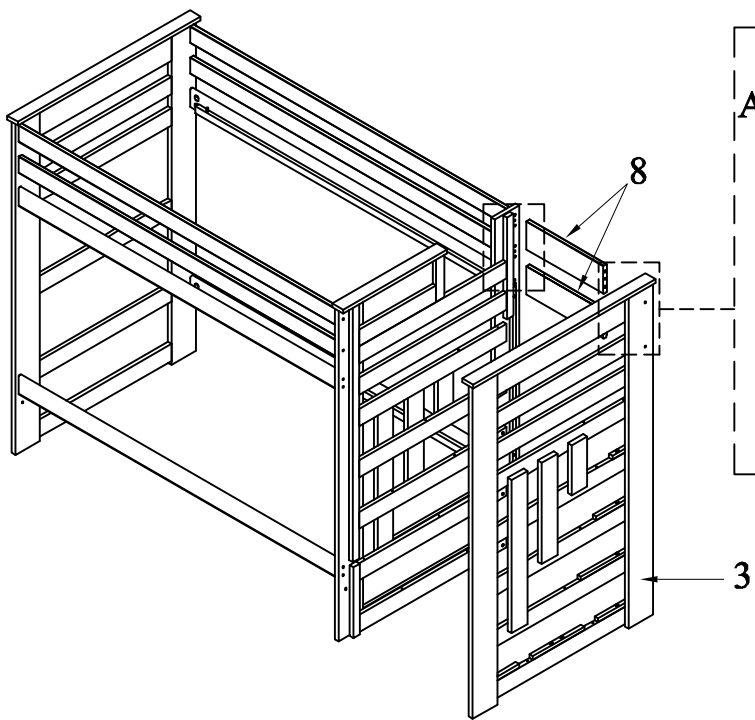


8 PLACES

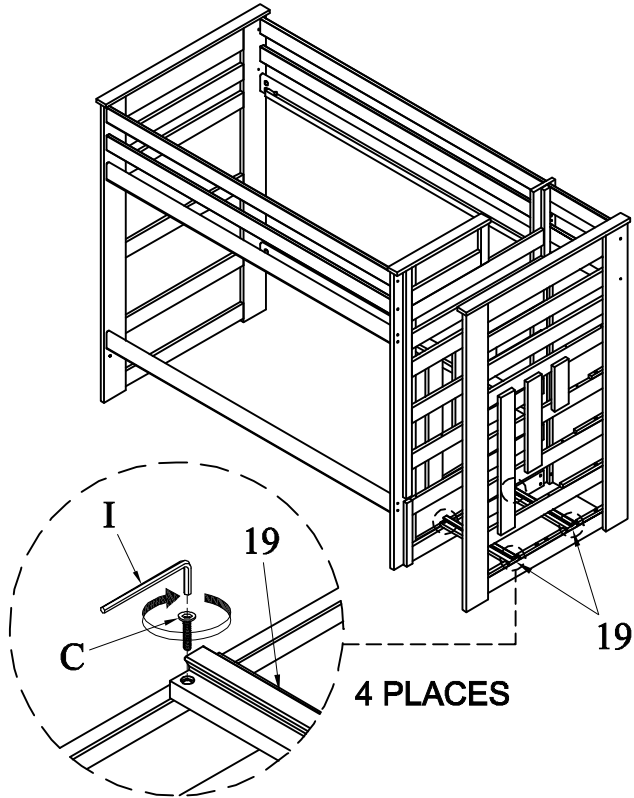


STEP 2: Headboard Assembly

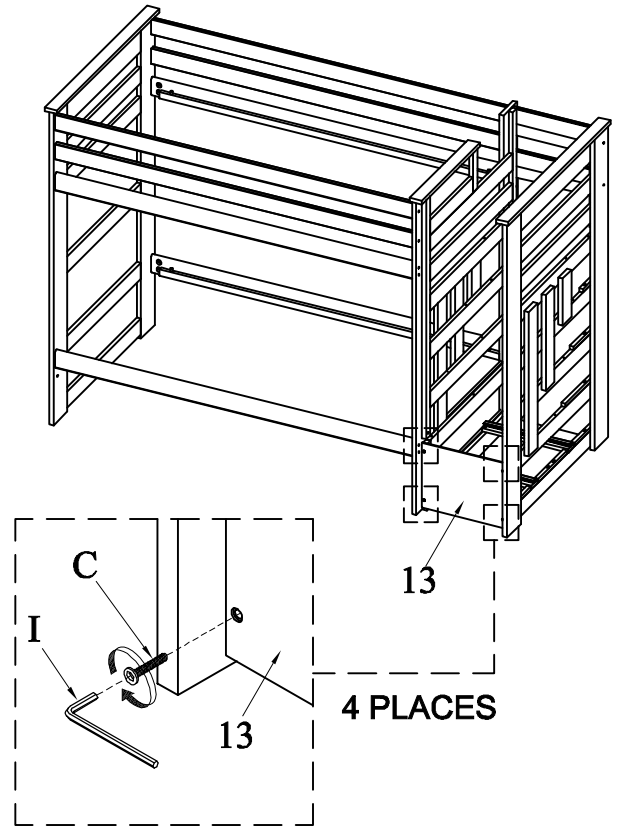
2 PLACES



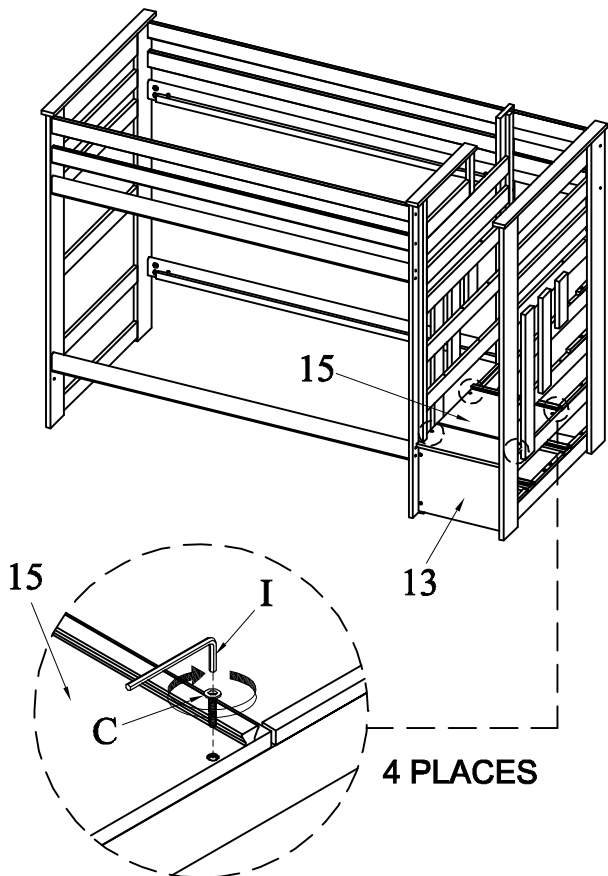
STEP 3: Mail Guide Drawer Assembly



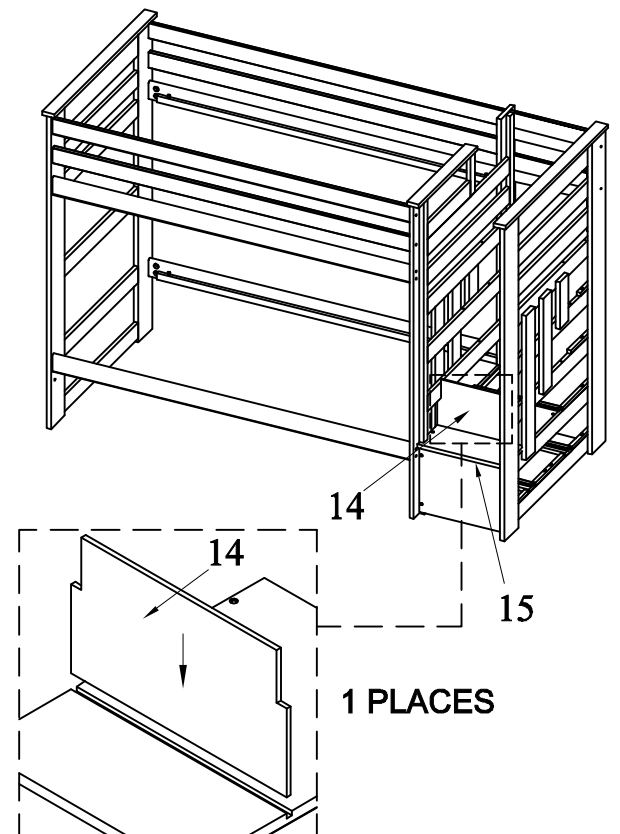
STEP 4: Ladder-Front Panel 1 Assembly



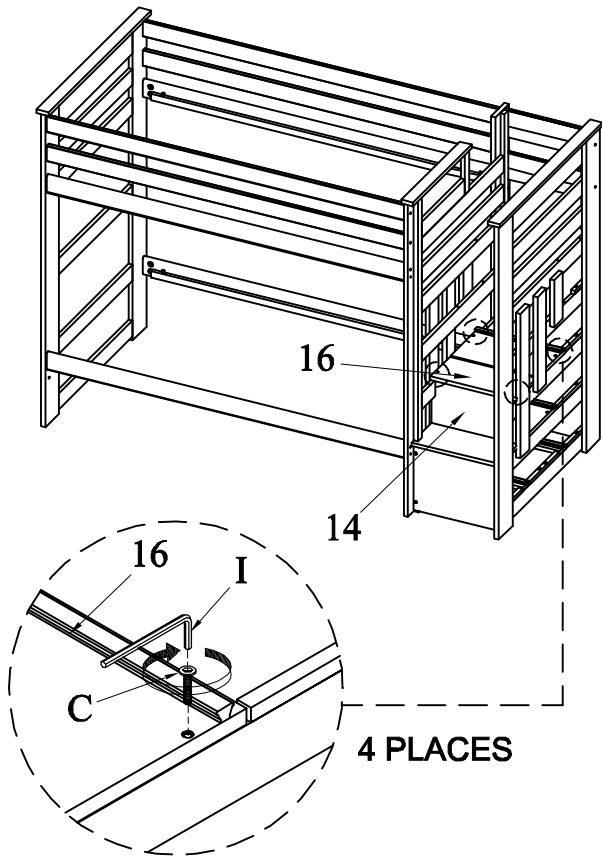
STEP 5: Ladder-Step Panel 1 Assembly



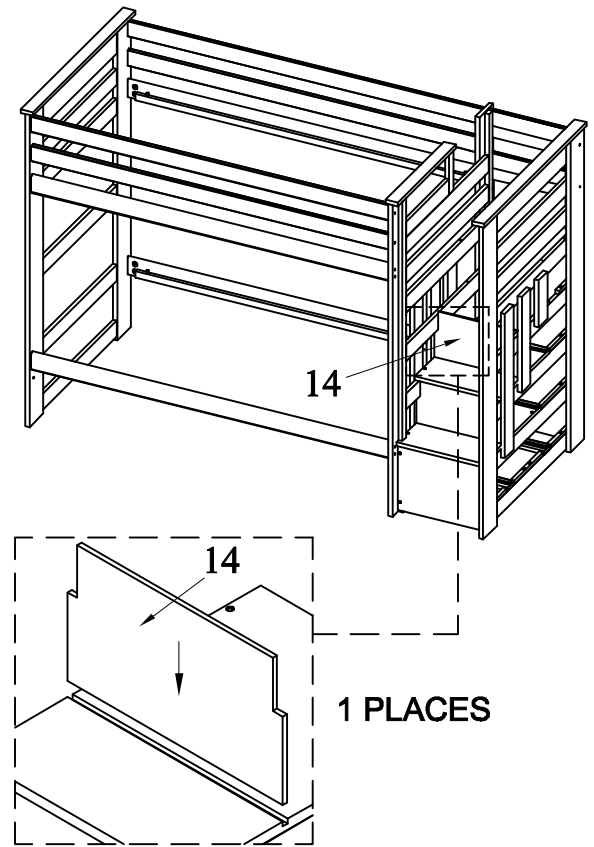
STEP 6: Ladder-Front Panel 2 Assembly



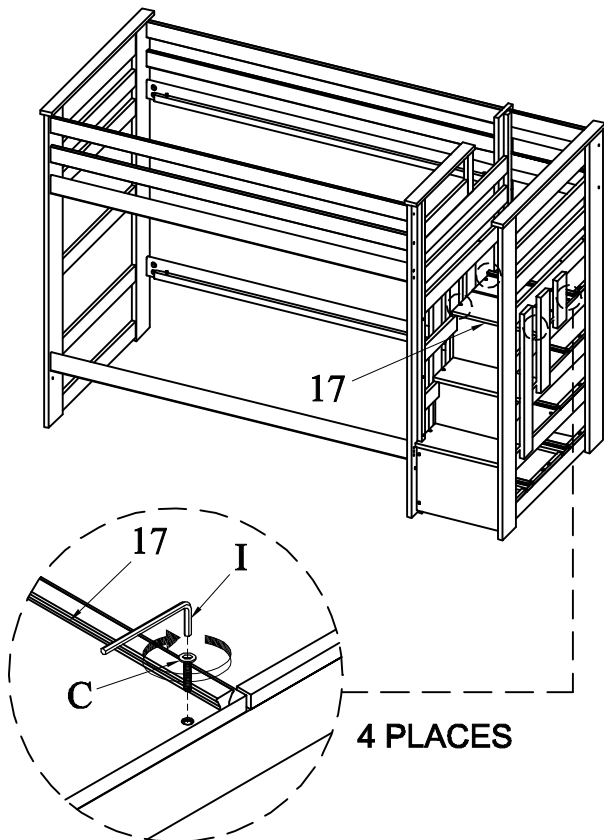
STEP 7: Ladder-Step Panel 2 Assembly



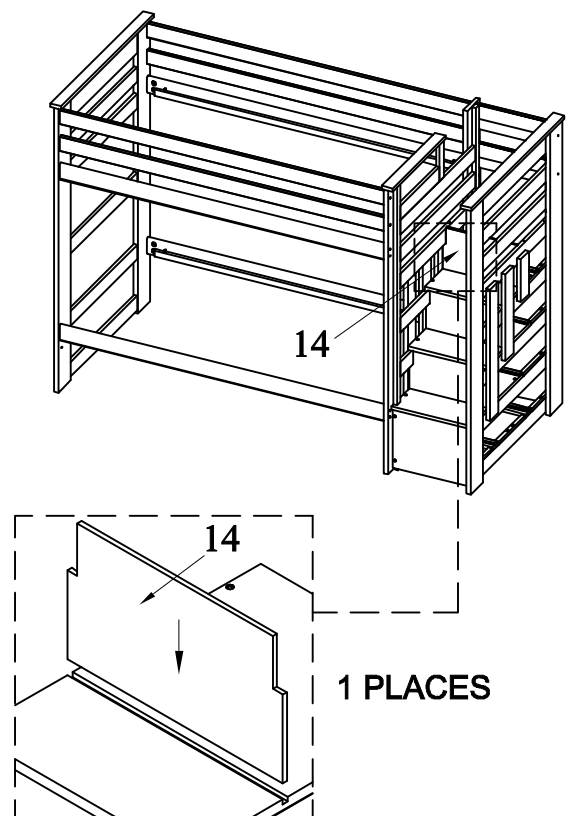
STEP 8: Ladder-Front Panel 3 Assembly



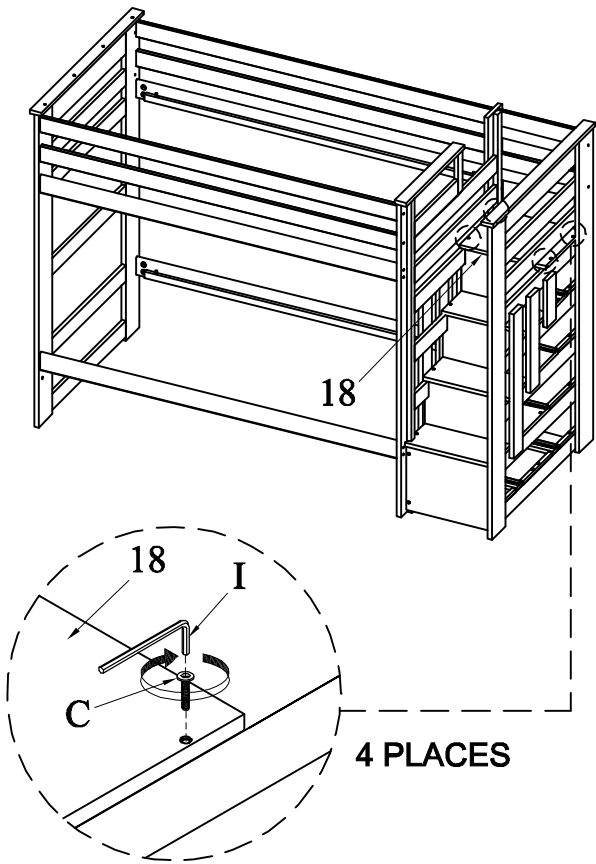
STEP 9: Ladder-Step Panel 3 Assembly



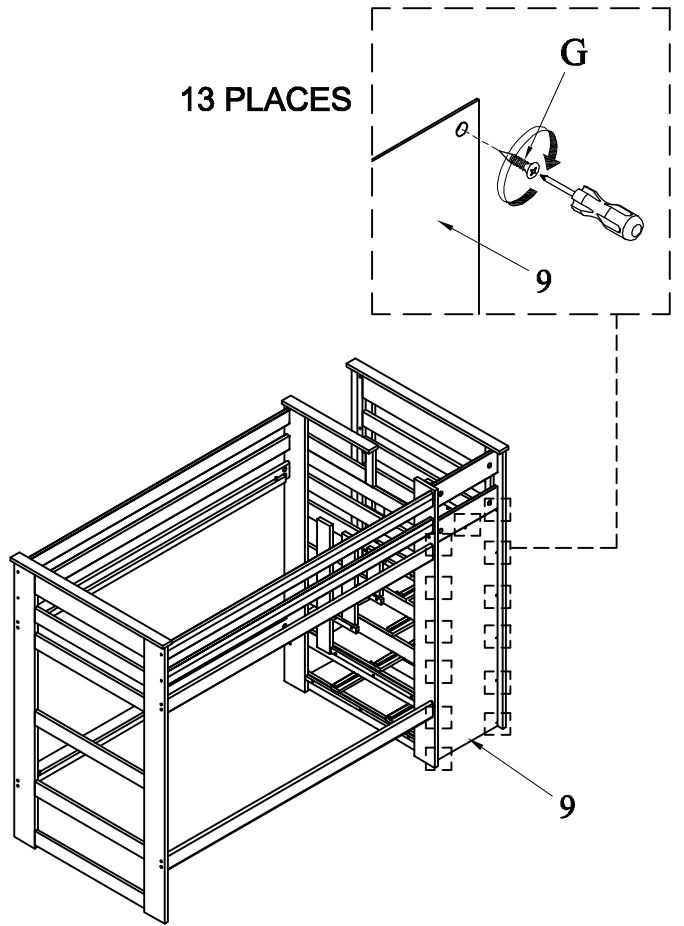
STEP 10: Ladder-Front Panel 4 Assembly



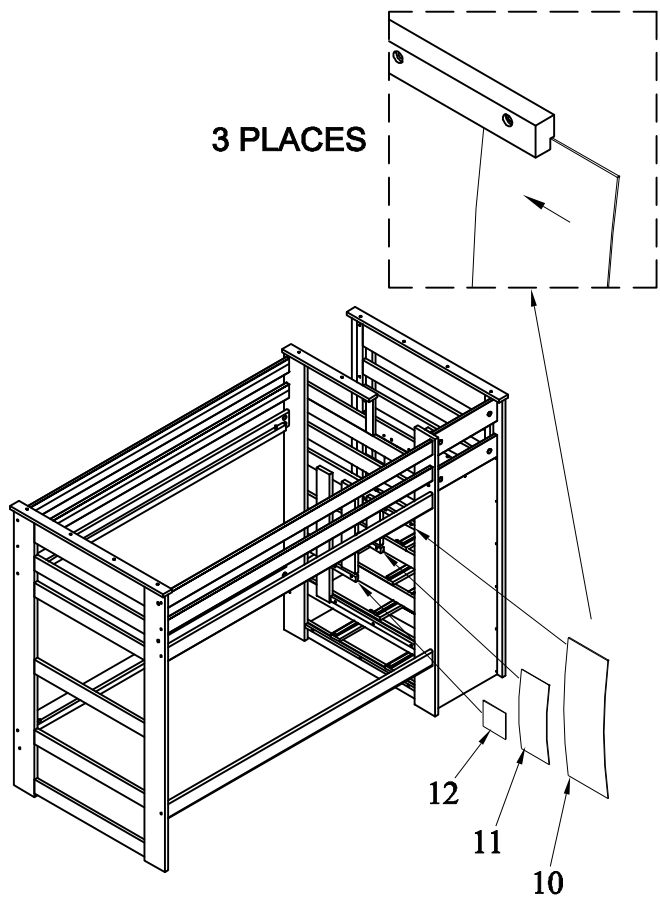
STEP 11: Ladder-Step Panel 4 Assembly



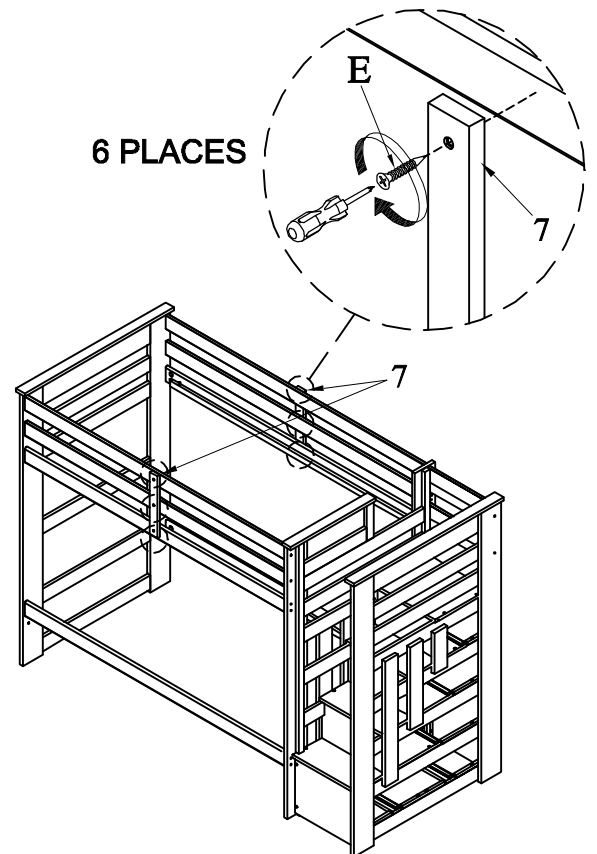
STEP 12: Back Panel Assembly



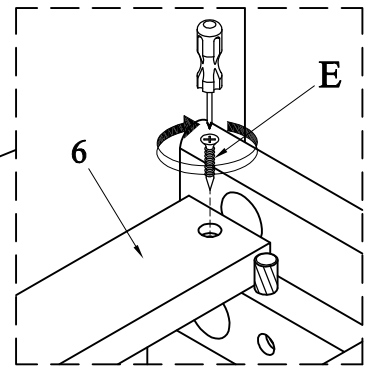
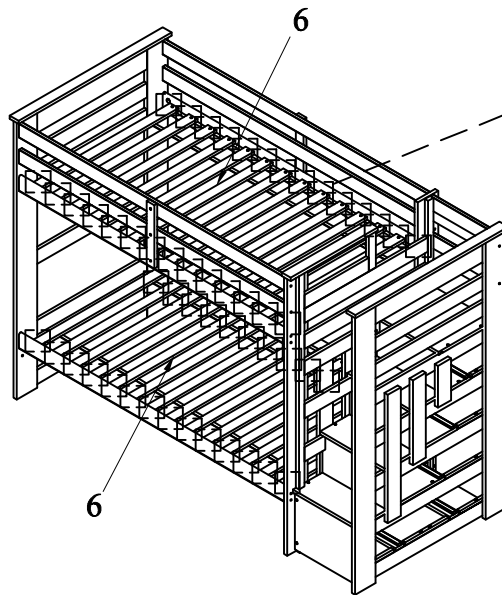
STEP 13: Mid Headboard Panel Assembly



STEP 14: Guardrail Support Assembly

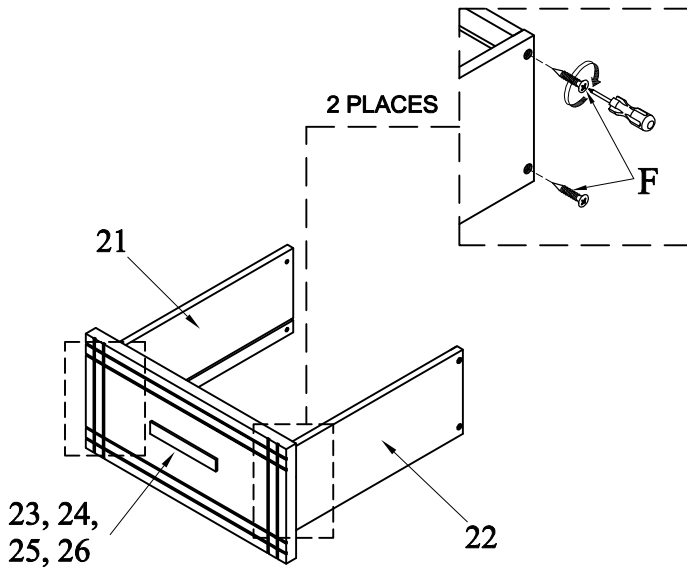


STEP 15: Completed Twin Slat Assembly

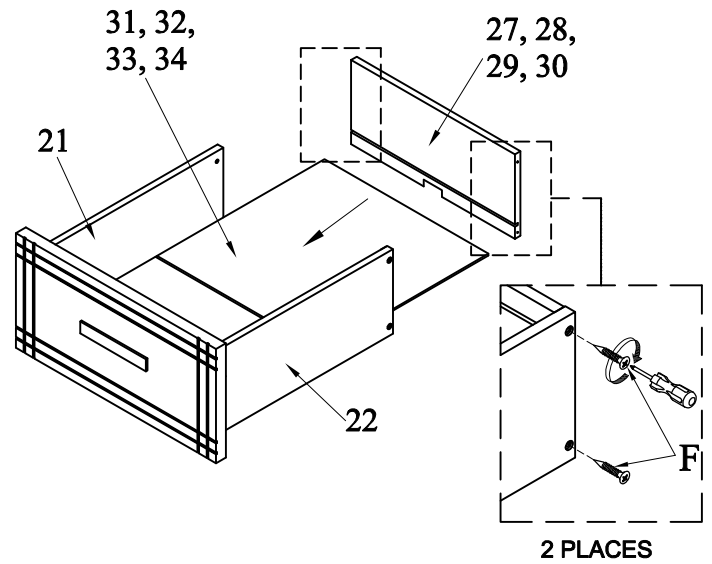


56 PLACES

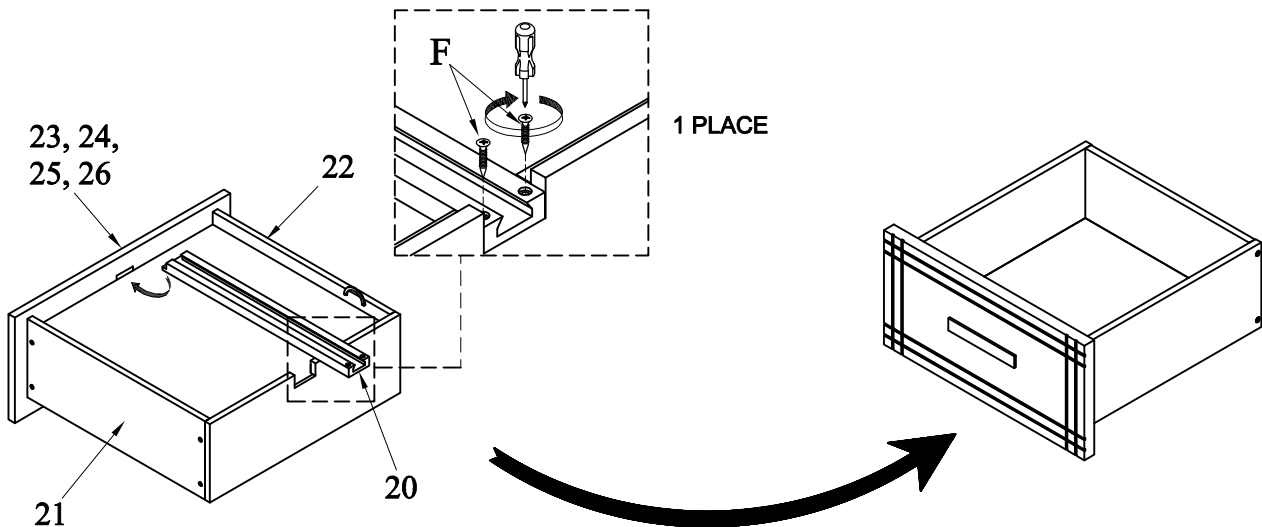
STEP 16: Drawer Assembly (5pcs)



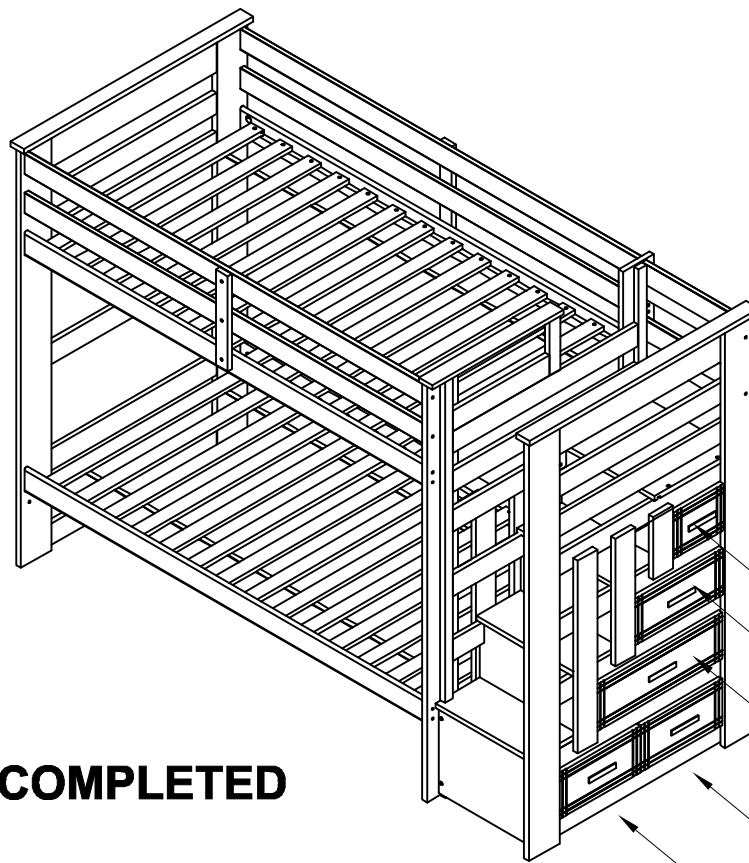
STEP 17: Drawer Assembly (5pcs)



STEP 18: Drawer Assembly (5pcs)



STEP 20: Put 5 Drawers in Bed



ASSEMBLY IS COMPLETED

WARNING !!!

To help prevent serious or fatal injuries from entrapment or falls:

1. Follow the information on the warning label appearing on the upper bunk end structure and on the carton. Do not remove warning label from bed.
2. Always use the recommended size mattress or mattress support, or both, to help prevent the like hood of entrapment or falls. Use only a mattress which is 75" long and 39" wide for twin size, which is 75" long and 54" wide for full size.
3. Ensure thickness of upper mattress does not exceed 6" and top surface of mattress is at least 5" below the upper edge of guardrails.
4. Do not allow children under 6 years to use the upper bunk.
5. Periodically check and ensure that the guardrail, ladder, and other components are in their proper position, free from damage, and that all connectors are tight.
6. Do not allow horseplay on or under the bed and prohibit jumping on the bed.
7. Always use ladder for entering and leaving upper bunk.
8. Do not use substitute parts. Contact the manufacturer or dealer for replacement parts.
9. Use of a night-light may provide added safety precaution for a child using the upper bunk.
10. Always use guardrails on both long sides of the upper bunk. If the bunk bed will be placed next to a-wall, the guardrail that runs the full length of the bed should be placed against the wall to prevent entrapment between the bed and the wall.
11. The use of water or sleep flotation mattresses is prohibited.

STRANGULATION HAZARD:

12. Never attach or hang items to any part of the bunk bed that are not designed for use with the bed, for example, but not limited to, hooks, belts and jump ropes.
13. Prohibit more than one person on upper bunk.
14. Maximum total weight not to exceed-150 lbs on the upper bunk, and maximum 200 lbs on lower bunk.
15. Keep these instructions for future reference.