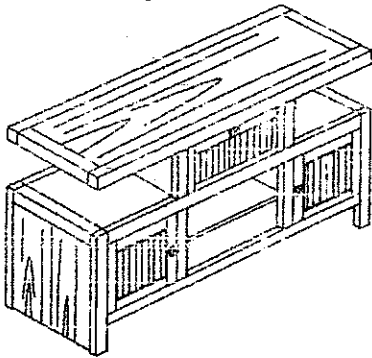


ASSEMBLY INSTRUCTION



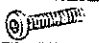





#10122 ESPRESSO TV STAND

10122

NOTE: DON'T TIGHTEN SCREWS UNTIL COMPLETELY ASSEMBLED!



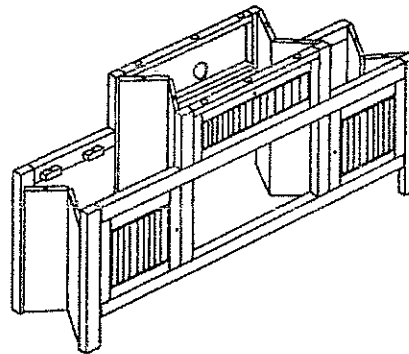
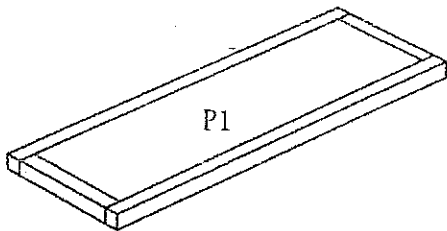
HARDWARE LIST

A	Flat Washer 1/4" * 12MM	30Pcs	
B	Lock Washer	30Pcs	
C	Bolt 1/4" * 1"	30Pcs	
D	Allen Key	1Pc	
E	Shelf support	4Pcs	
F	Hardware	3Pcs	
G	Bolt	3Pcs	
H	Dowel	8Pcs	

PARTS LIST

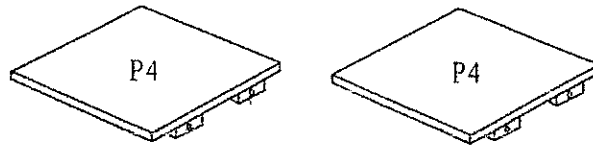
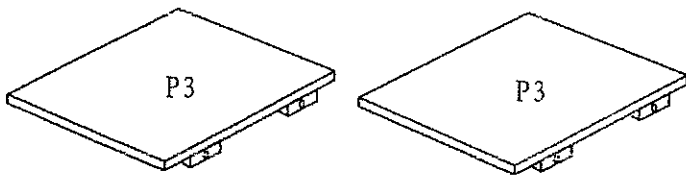
P1: Top Shelf 1pc

P2: Cabinet 1pc



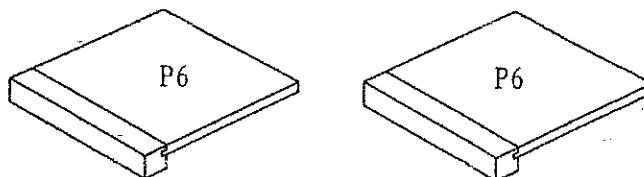
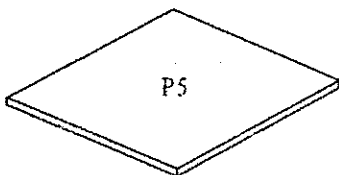
P3: Middle Bottom Shelf / Middle Shelf 2pc

P4: Side Bottom Shelf 2pc



P5: Middle Adjustable Shelf 1pc

P6: Side Shelf 2Pcs



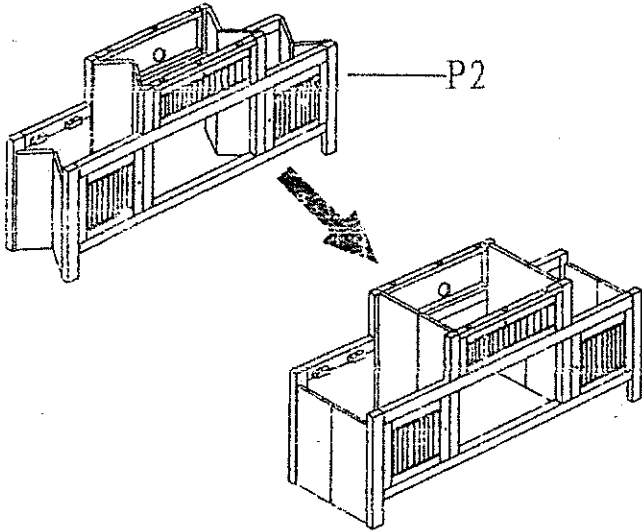
ASSEMBLY INSTRUCTION

#10122 ESPRESSO TV STAND

NOTE: DON'T TIGHTEN SCREWS UNTIL COMPLETELY ASSEMBLED!

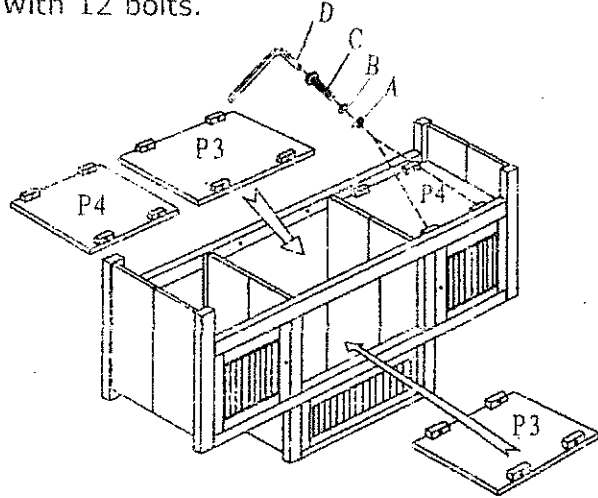
STEP#1

Unfold Cabinet



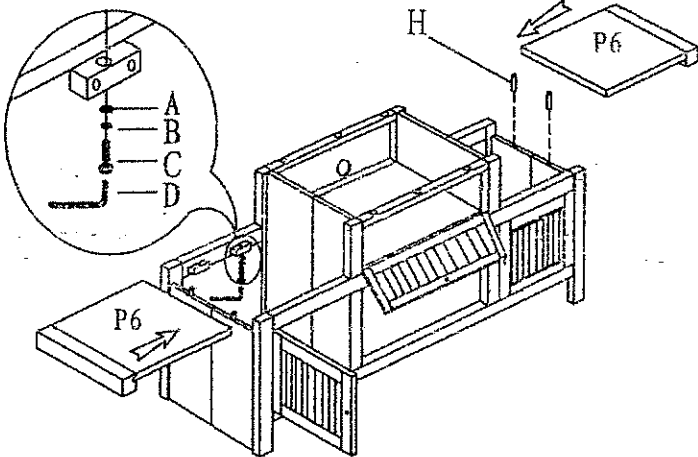
STEP#2

insert middle shelf with 4 bolts at first, and then insert three bottom panels with 12 bolts.



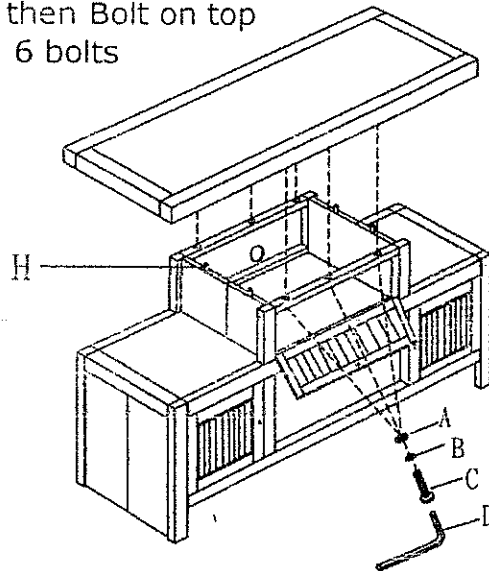
STEP#3

insert 4 dowels into the side panel and bolt on side shelf with 8 bolts.



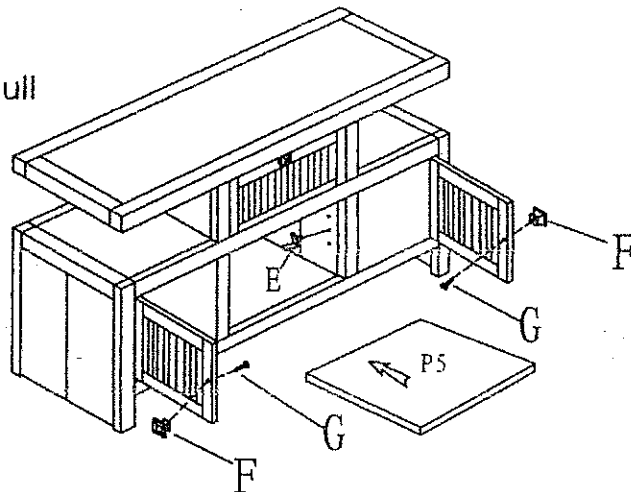
STEP#4

insert 4 dowels into the side panel, and then Bolt on top with 6 bolts



STEP#5

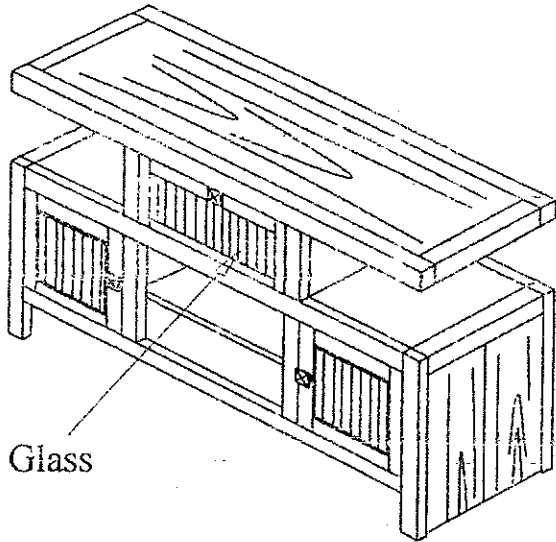
Install shelf clips and door pull



MIDDLE DOOR GLASS EXCHANGE TO SPEAKER CLOTH

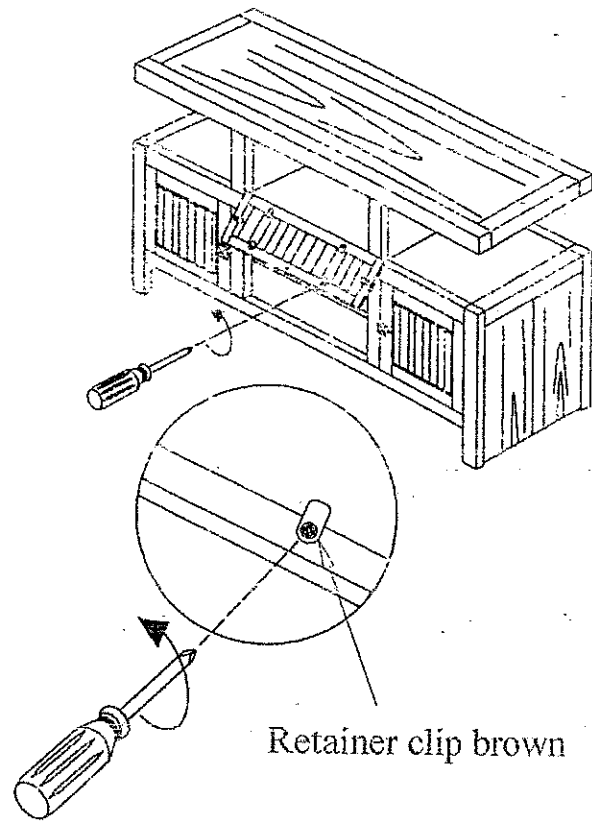
Step1

Open the middle door.



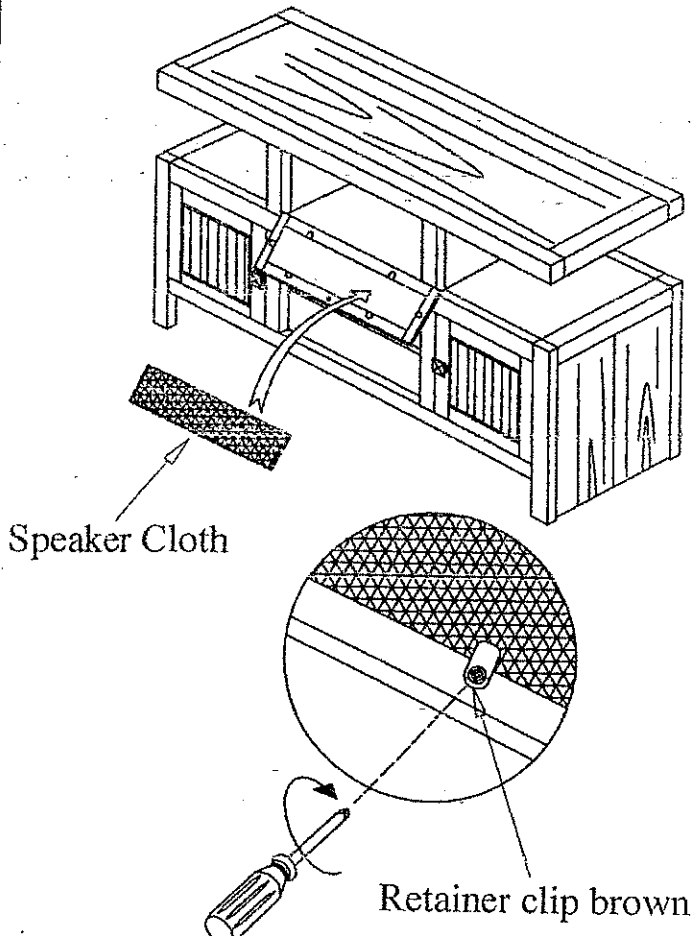
Step2

Take the glass off.



Step3

Put the speaker cloth in door frame, and tighten Retainer clip brown



Step4

Close the door.

