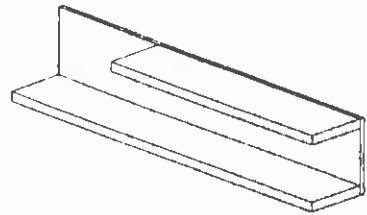


8327

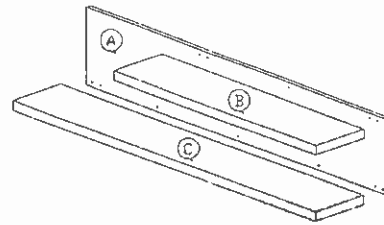
Assembly Instruction

Model : 08327

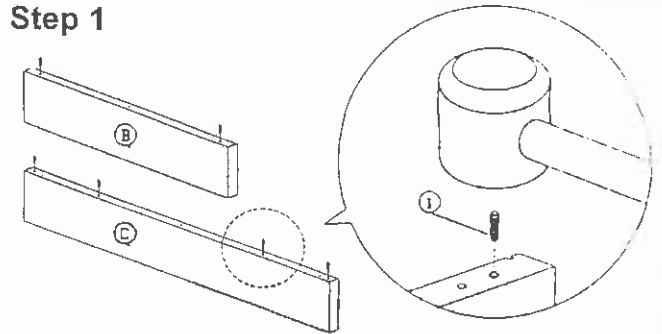


Hardware List			
No.	SHAPE	DESCRIPTION	Qty.
1		8x25mm Wood Dowel	6Pcs
2		M3.5x16mm Screw	4Pcs
3		M4x30mm Screw	2Pcs
4		M5x38mm Screw	6Pcs
5		Single Hole Filter	2Pcs
6		Wall Plug	2Pcs

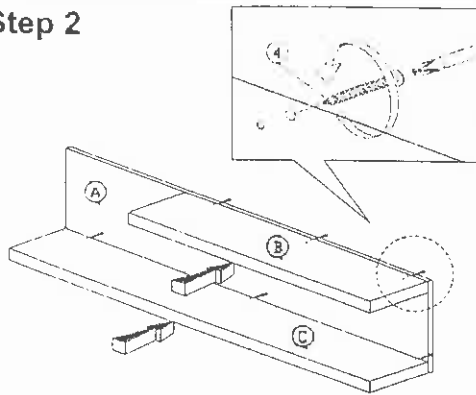
Part List



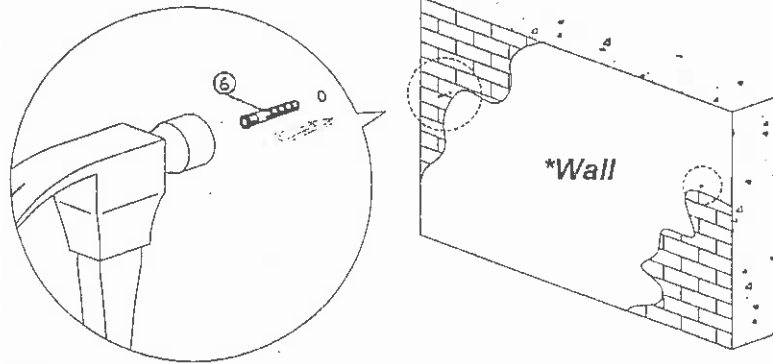
Step 1



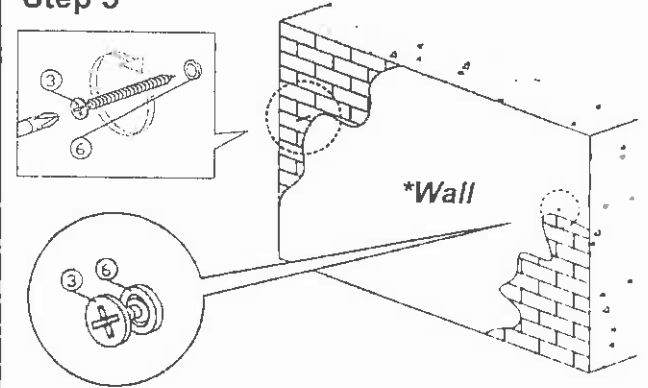
Step 2



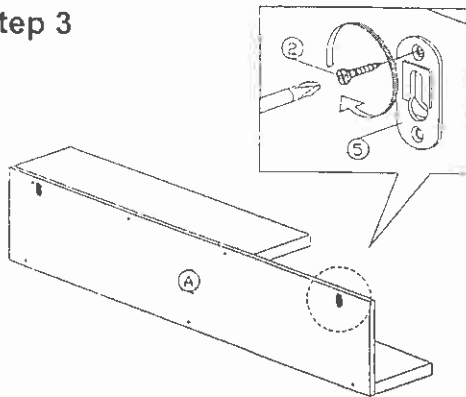
Step 4



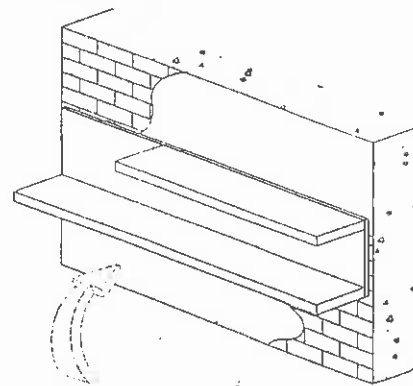
Step 5



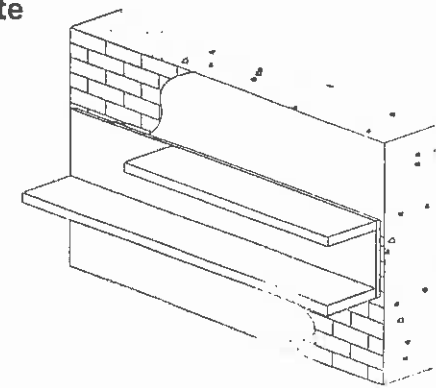
Step 3



Step 6



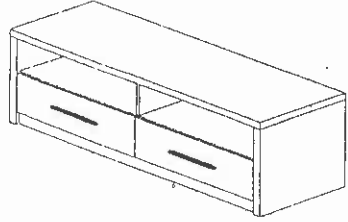
Complete



8328

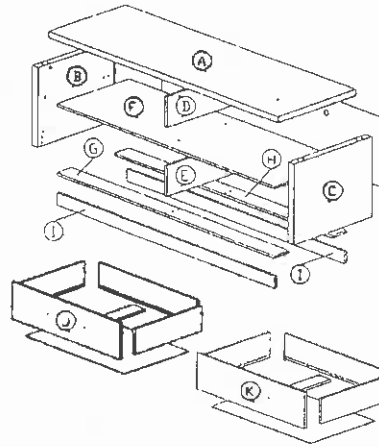
Assembly Instruction

Model: 08328

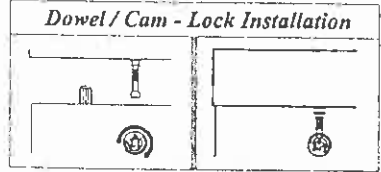
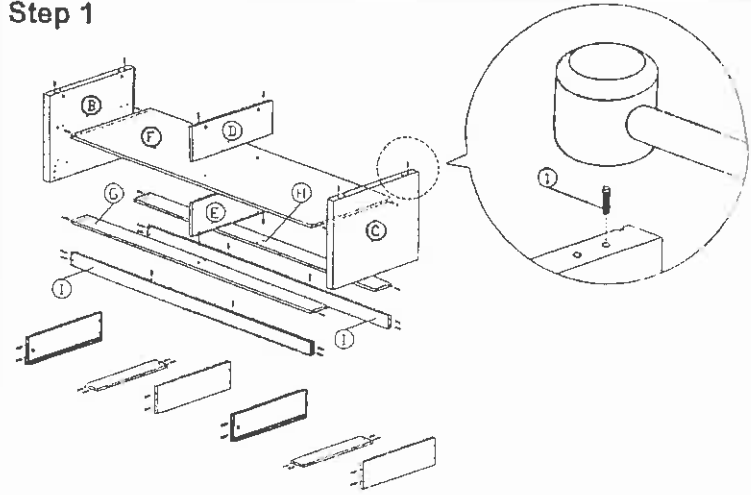


Hardware List			
No	SHAPE	DESCRIPTION	Qty.
1		8x25mm Wood Dowel	44Pcs
2		8x50mm Wood Dowel	2Pcs
3		15MM Myfix Minifix	18Sets
4		M3.5x12mm Screw	16Pcs
5		M4x38mm Screw	10Pcs
6		Nail	15Pcs
7		Handle 0504 - 224 Handle Screw M4x20mm	2Sets
8		Drawer Silde = 400mm	2Sets
9		Nail Leg	6Pcs
10		15MM Mini Fix Cap	4Pcs
11		15MM Mini Fix Cap	2Pcs

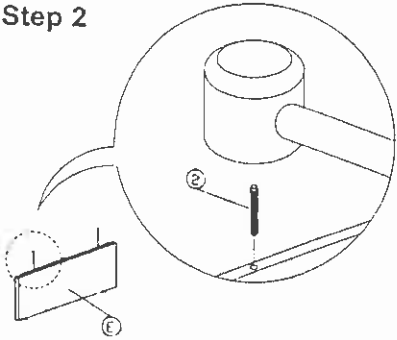
Part List



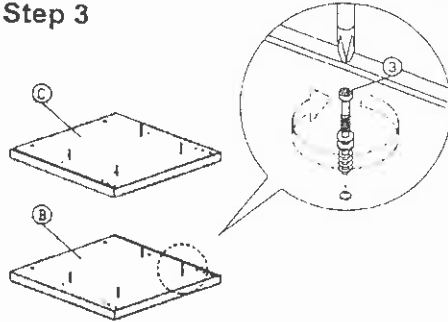
Step 1



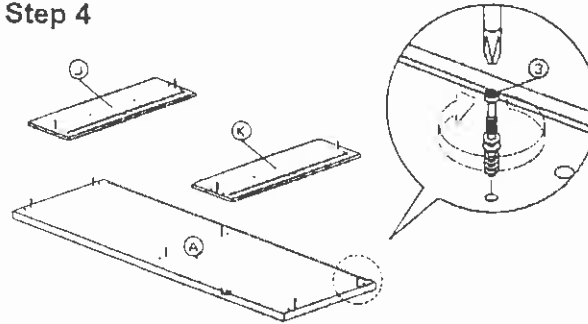
Step 2



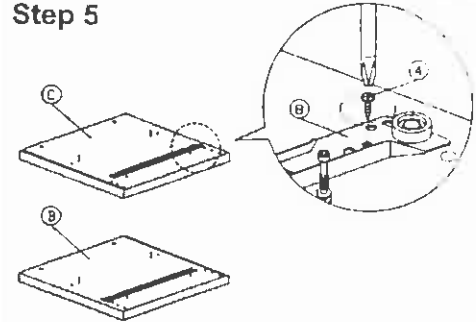
Step 3



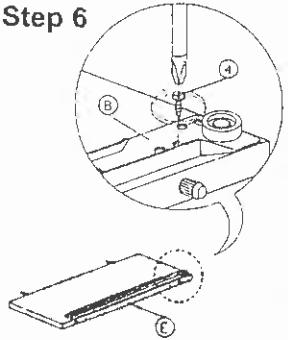
Step 4



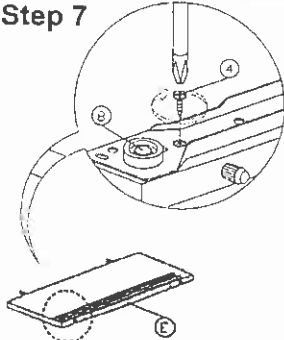
Step 5



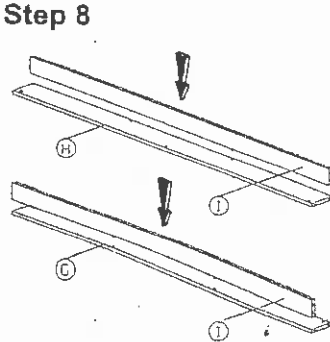
Step 6



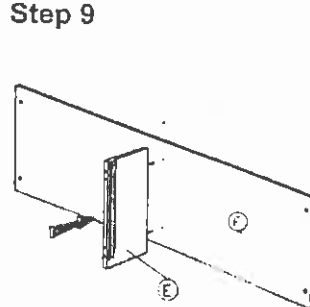
Step 7



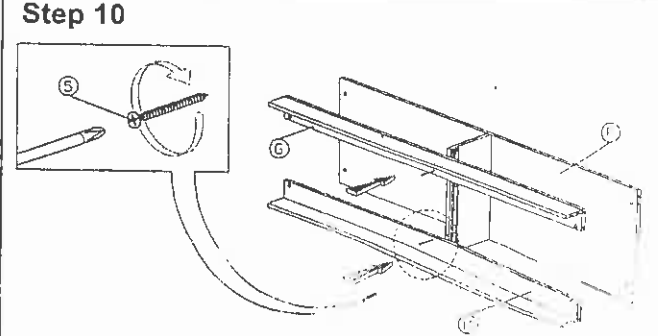
Step 8



Step 9

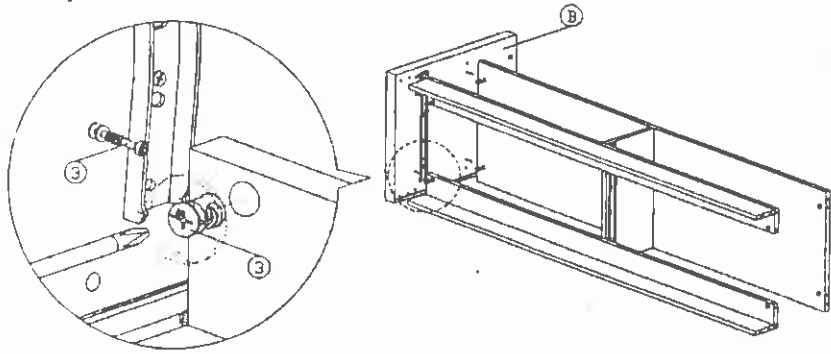


Step 10

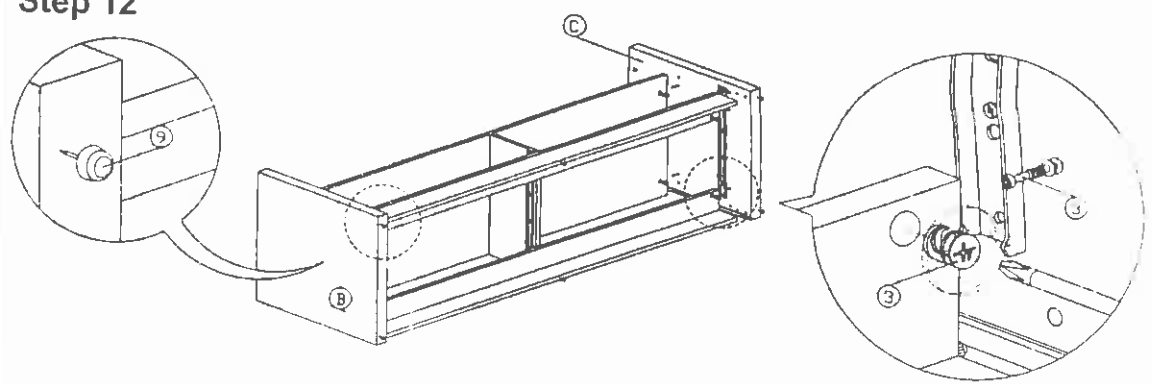


Assembly Instruction

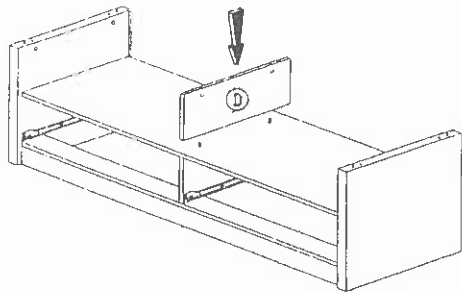
Step 11



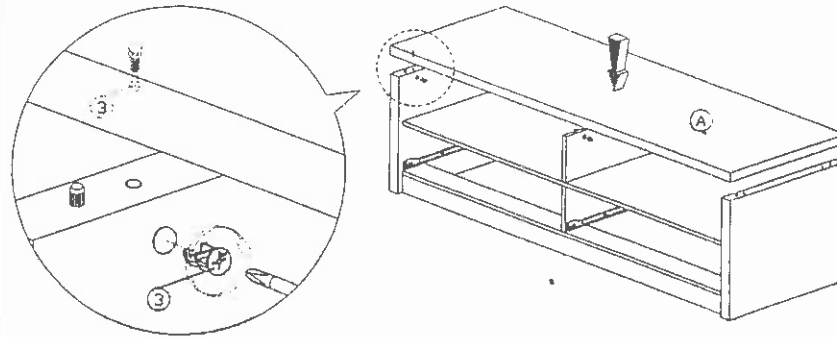
Step 12



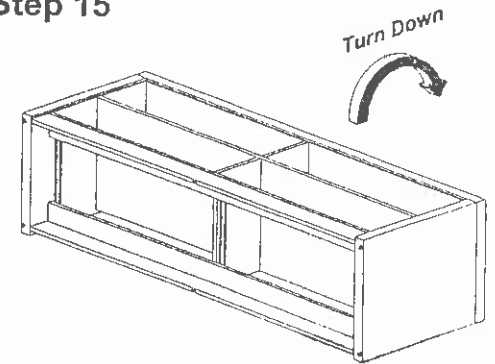
Step 13



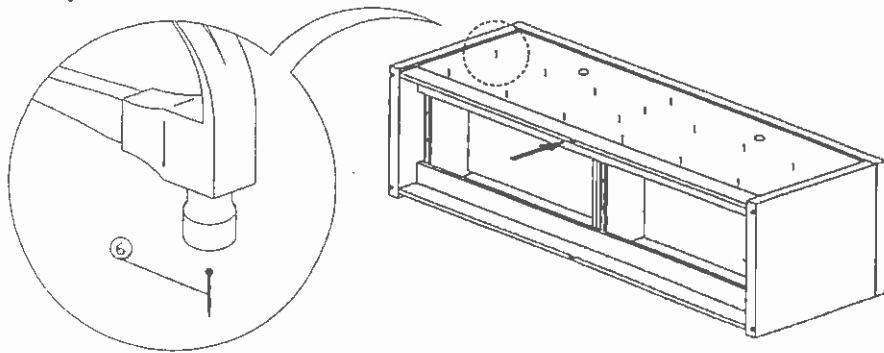
Step 14



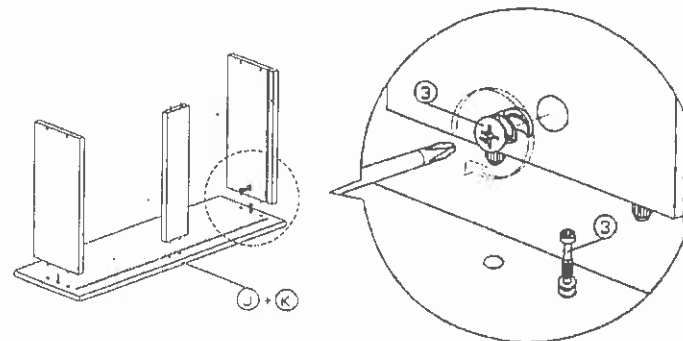
Step 15



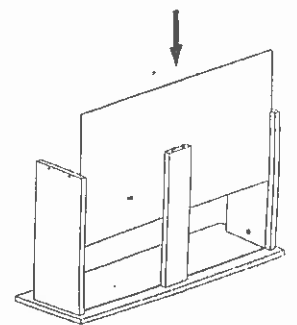
Step 16



Step 17



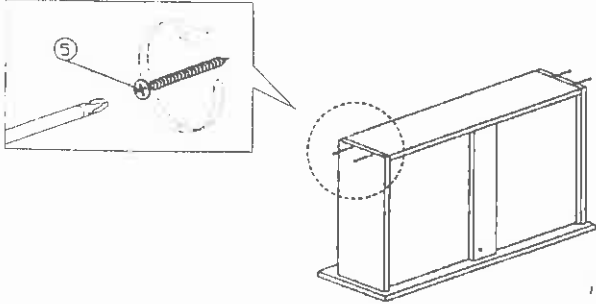
Step 18



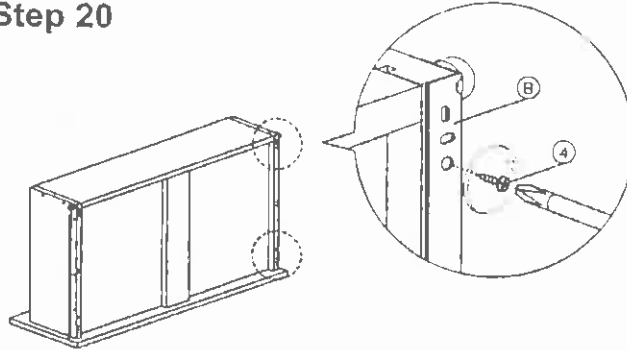
8328

Assembly Instruction

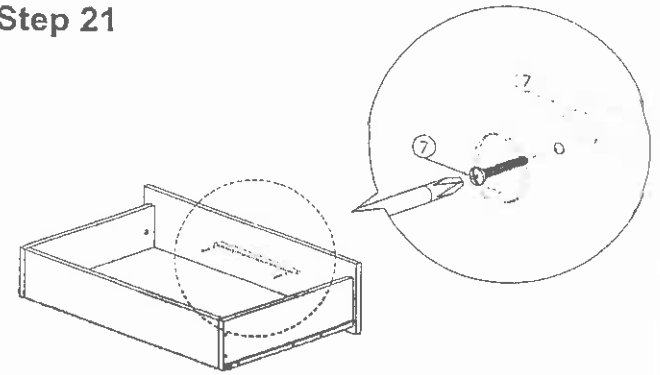
Step 19



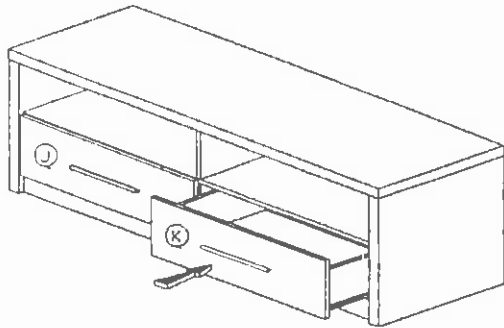
Step 20



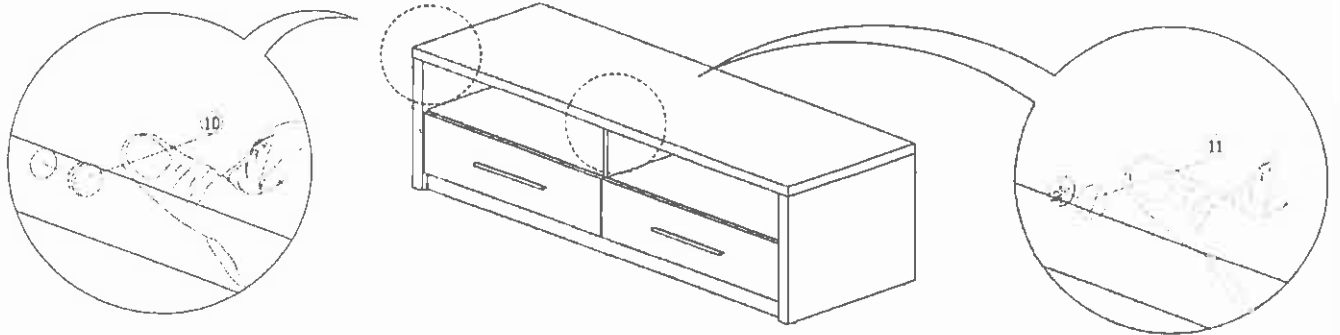
Step 21



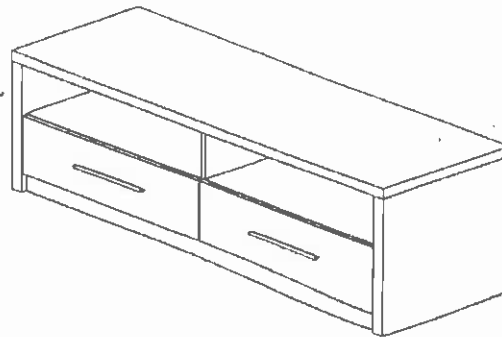
Step 22



Step 23

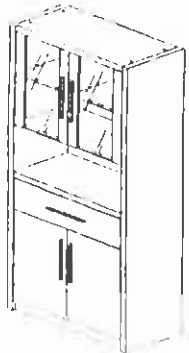


Complete



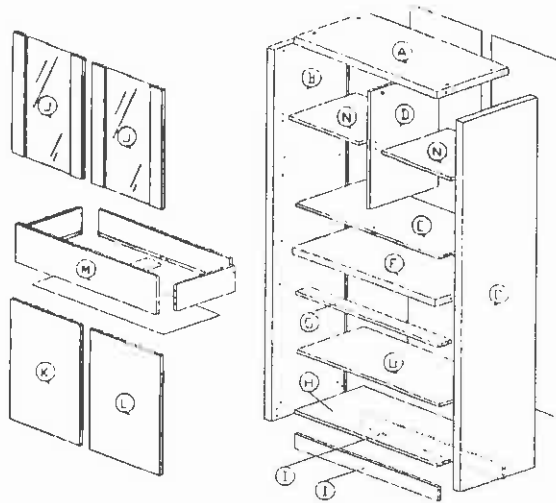
Assembly Instruction

Model : 08329 / 08330

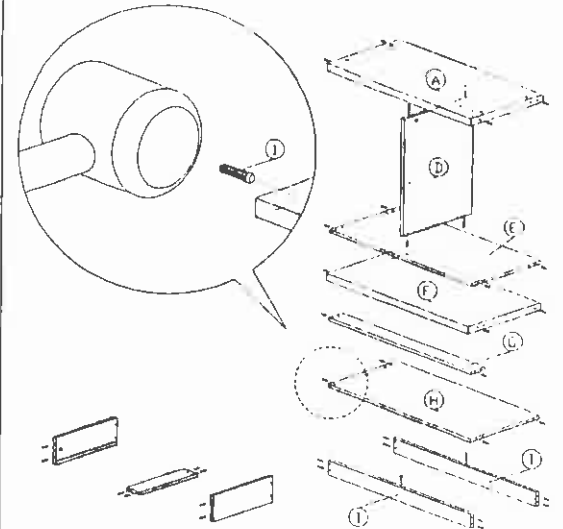


Hardware List			
No.	SHAPE	DESCRIPTION	Qty
1		8x25mm Wood Dowel	40Pcs
2		15MM Myfix Minifix	22Sets
3		M3.5x12mm Screw	8Pcs
4		TP 10#x5/8" Screw	32Pcs
5		M4x38mm Screw	6Pcs
6		Nail	15Pcs
7		Shelf Support	12Pcs
8		Hinges (010)	8Sets
9		Handle 0504 - 224 Handle Screw M4x20mm	5Sets
10		Drawer Slide = 300mm	1Set
11		Nail Leg	6Pcs
12		H Profile (1676mm)	1Pc
13		15MM Mini Fix Cap	2Pcs

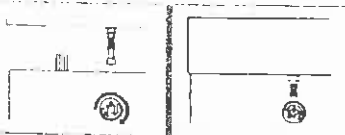
Part List



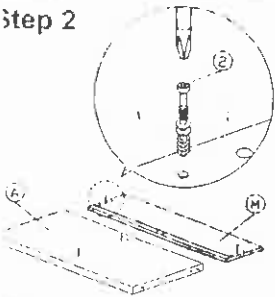
Step 1



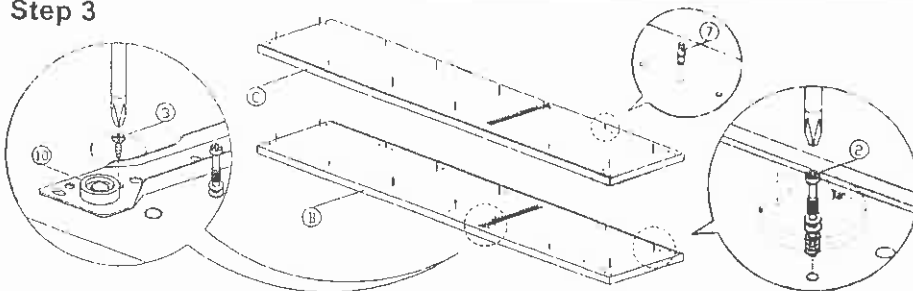
Dowel / Cam - Lock Installation



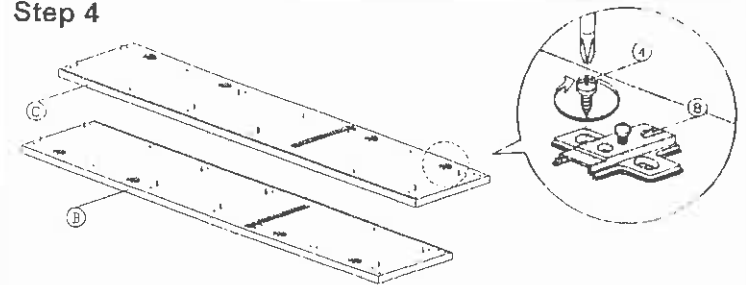
Step 2



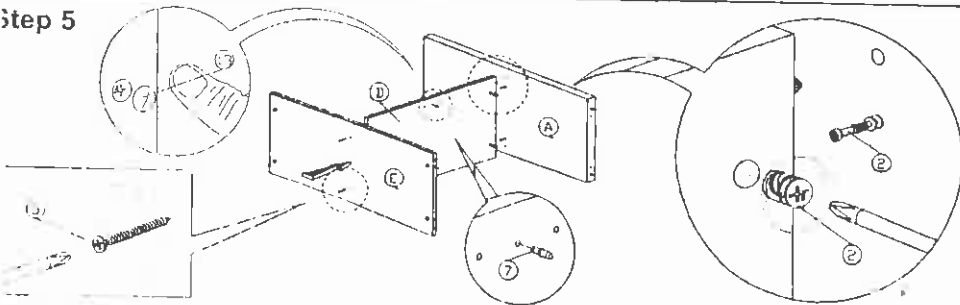
Step 3



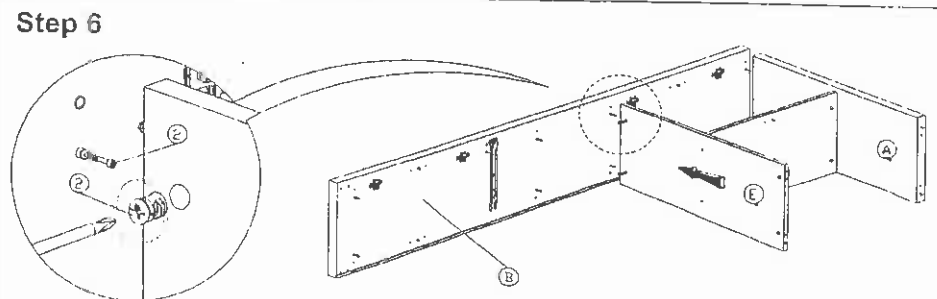
Step 4



Step 5

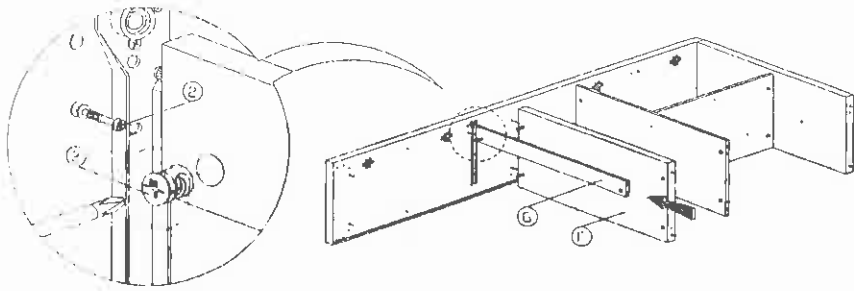


Step 6

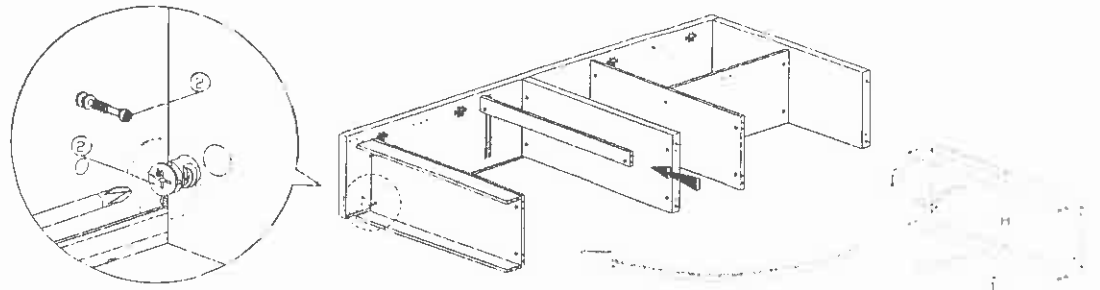


Assembly Instruction

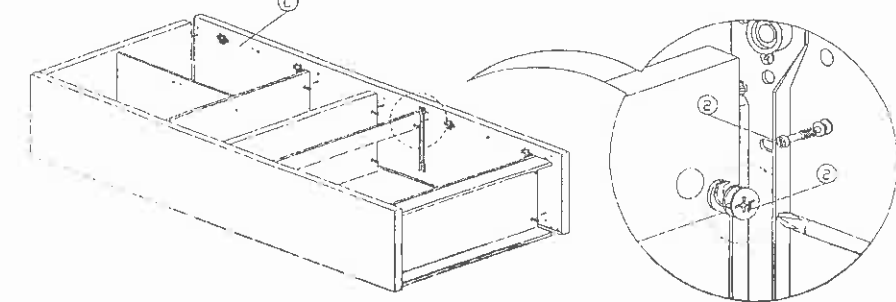
Step 7



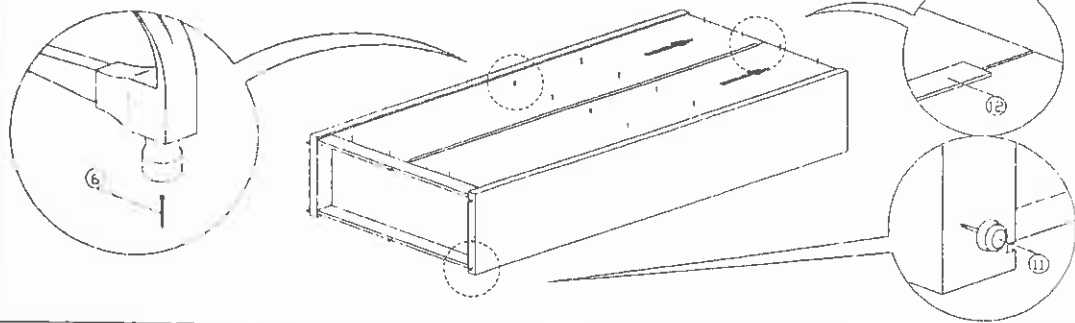
Step 8



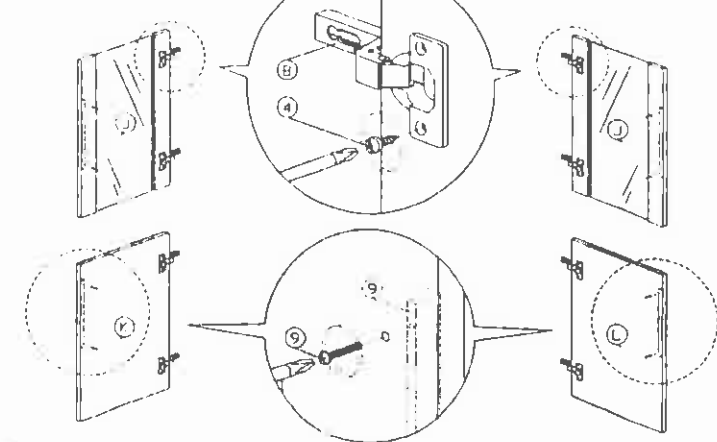
Step 9



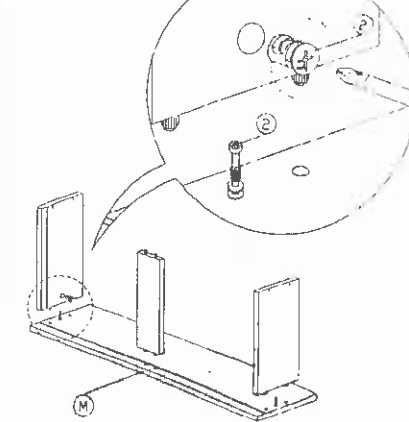
Step 10



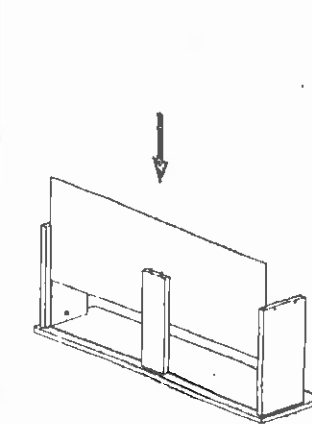
Step 11



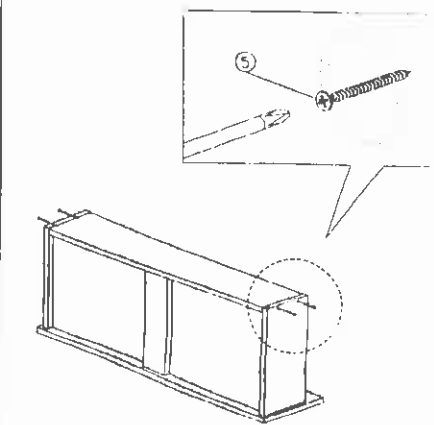
Step 12



Step 13

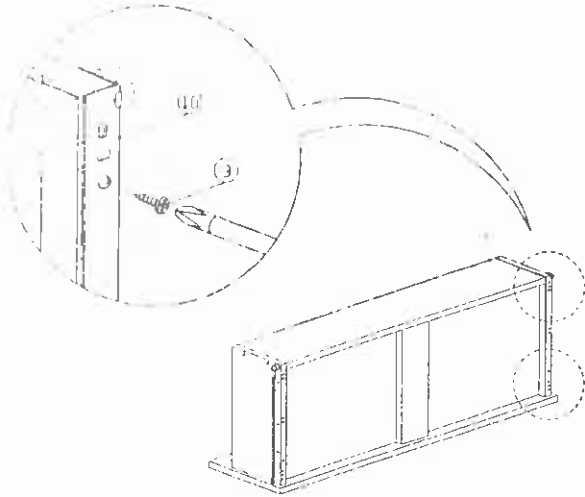


Step 14

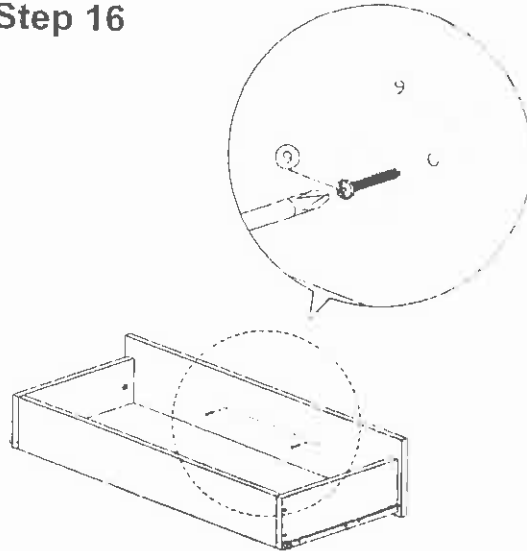


Assembly Instruction

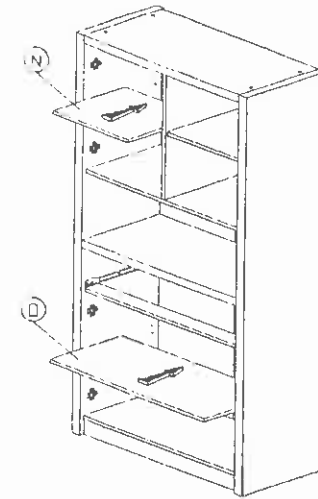
Step 15



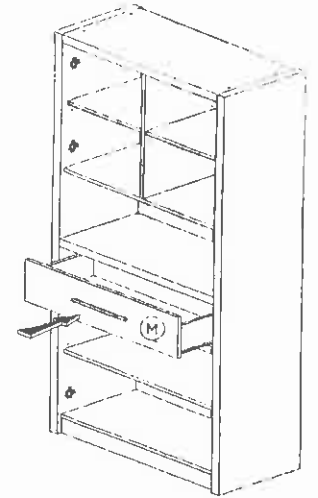
Step 16



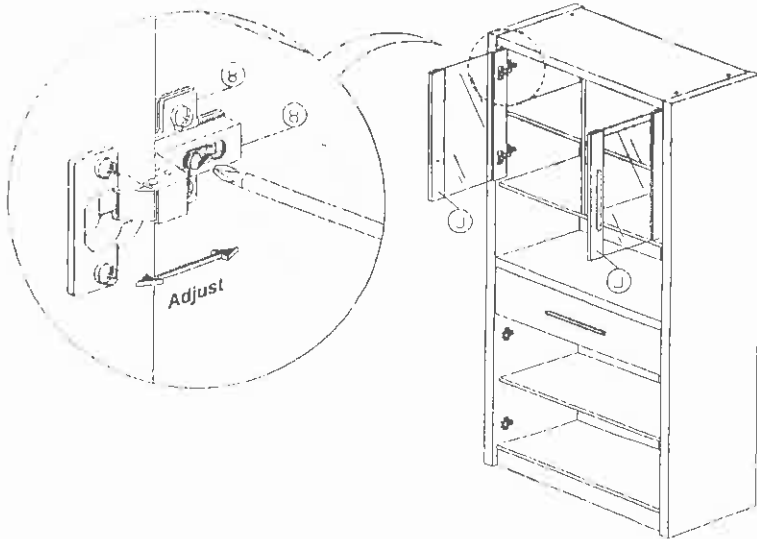
Step 17



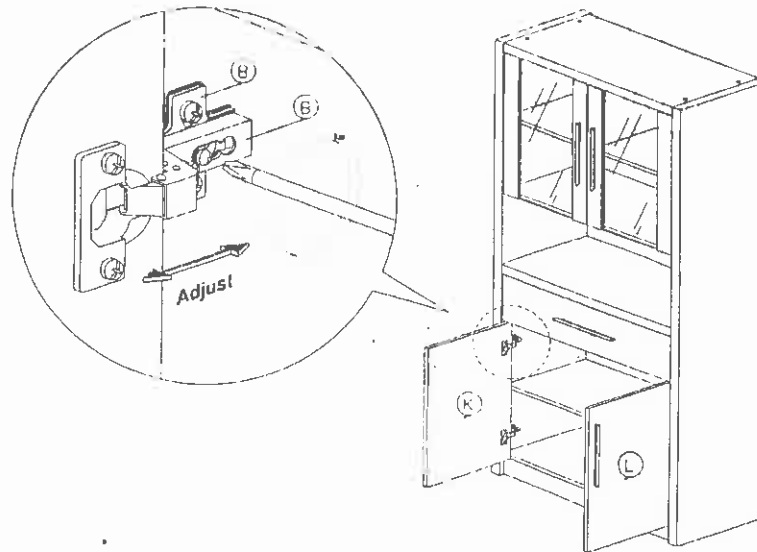
Step 18



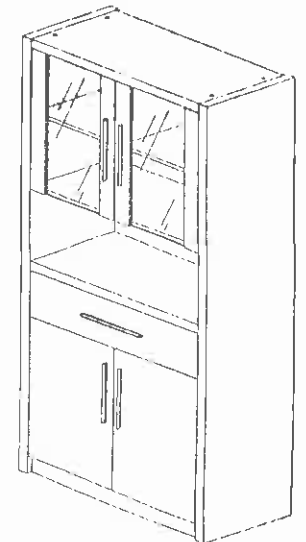
Step 19



Step 20

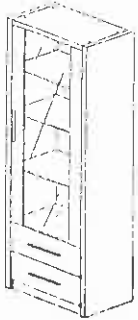


Complete

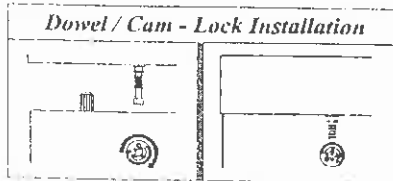


Assembly Instruction

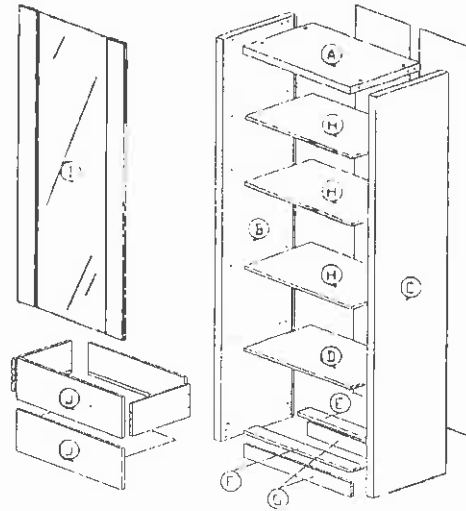
Model : 08331 / 08332



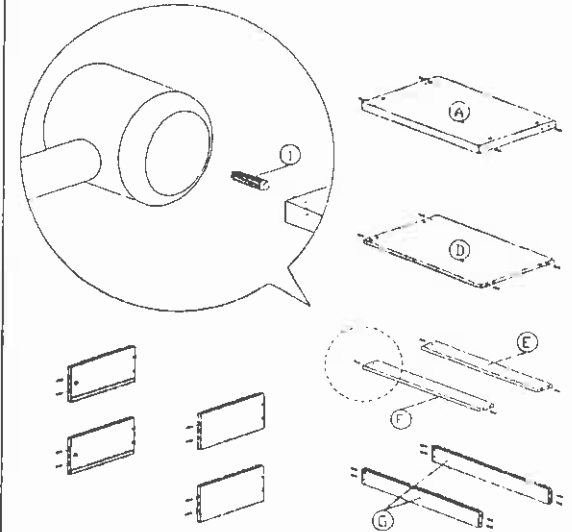
Hardware List			
No.	SHAPE	DESCRIPTION	Qty.
1		8x25mm Wood Dowel	28Pcs
2		15MM Myfix Minifix	16Sets
3		M3.5x12mm Screw	16Pcs
4		TP 10#x5/8" Screw	12Pcs
5		M4x38mm Screw	8Pcs
6		Nail	15Pcs
7		Shelf Support	12Pcs
8		Hinges (D10)	3Sets
9		Handle 0504 - 224 Handle Screw M4x20mm	3Sets
10		Door Stopper	1Pc
11		Drawer Slide = 300mm	2Sets
12		Nail Leg	4Pcs
13		H Profile (1873mm)	1Pc



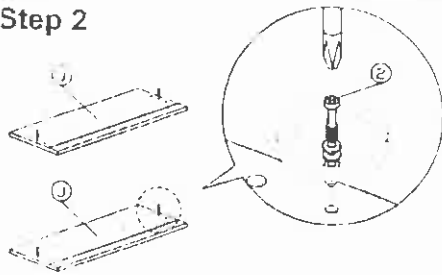
Part List



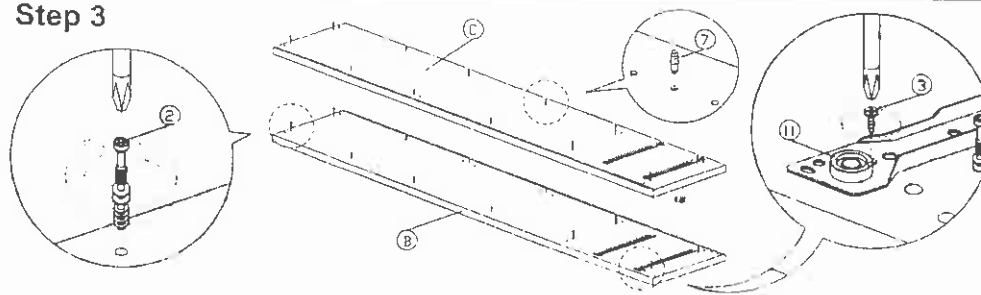
Step 1



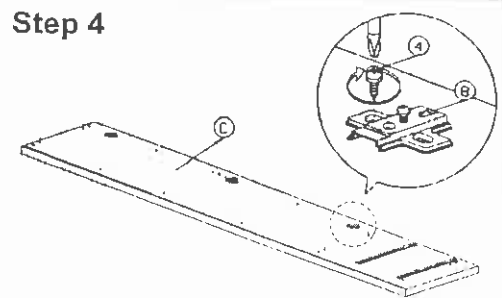
Step 2



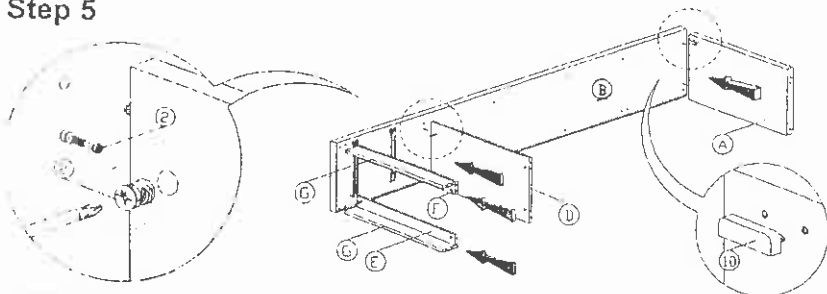
Step 3



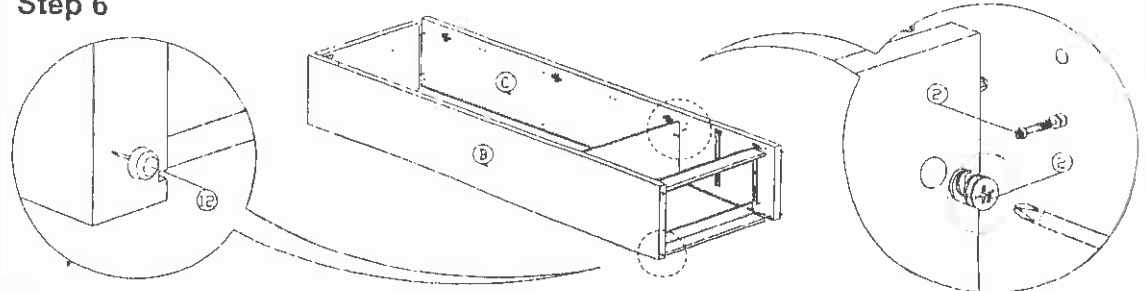
Step 4



Step 5

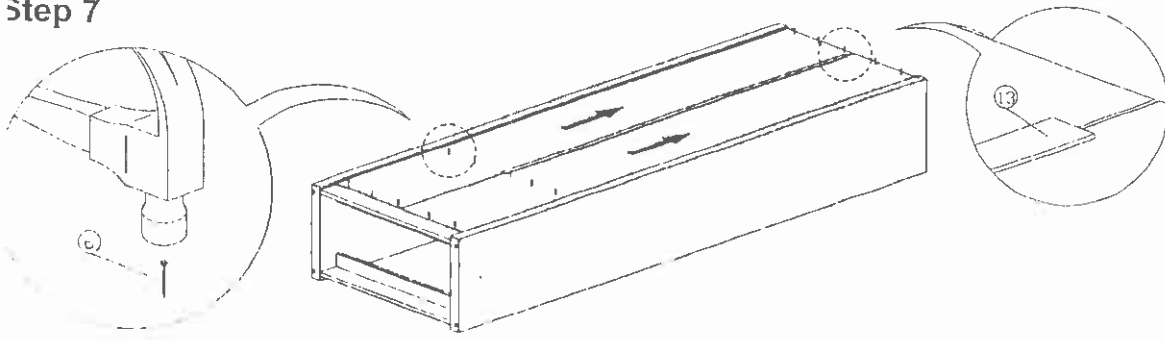


Step 6

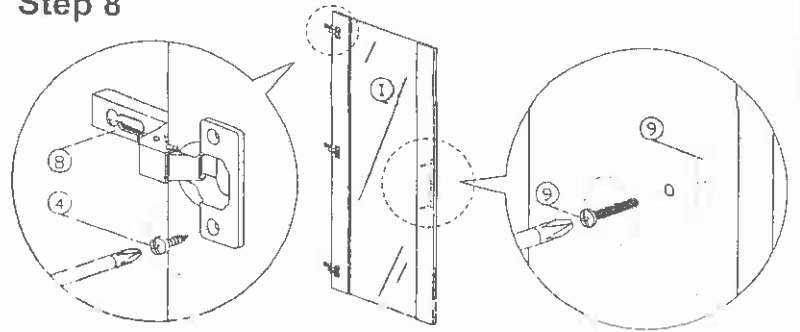


Assembly Instruction

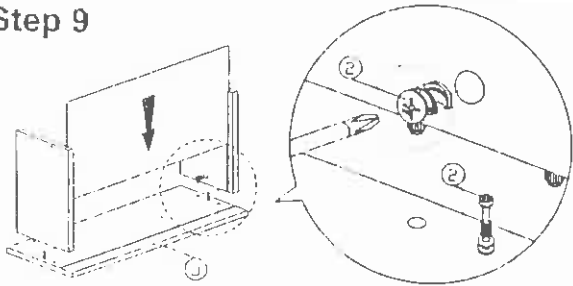
Step 7



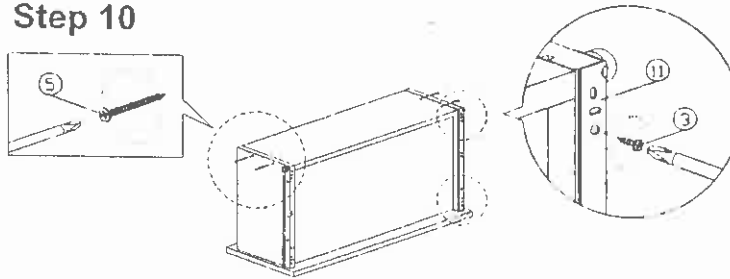
Step 8



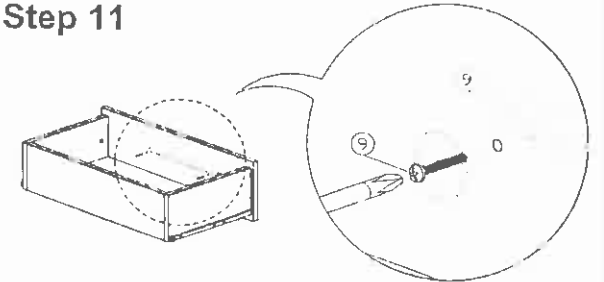
Step 9



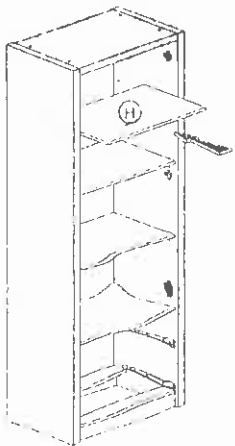
Step 10



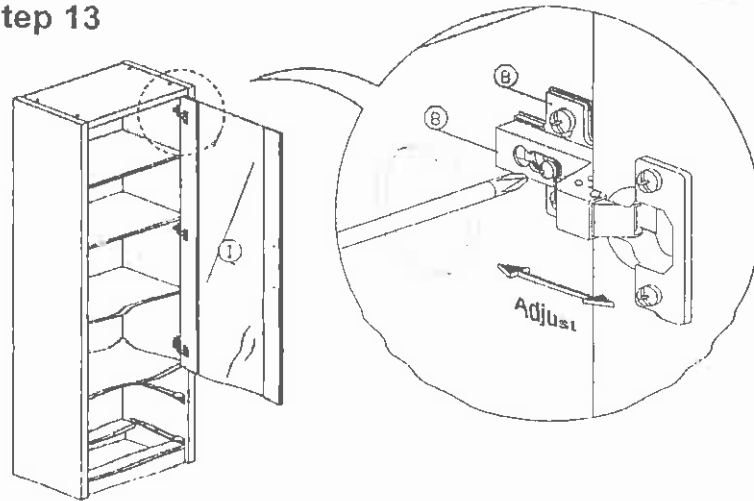
Step 11



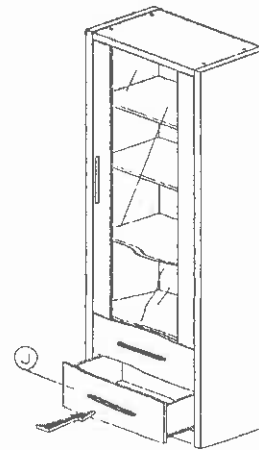
Step 12



Step 13



Step 14



Complete

