

# ASSEMBLY INSTRUCTIONS

MODEL: 2172




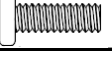









NOTE: THIS ITEM NOT RECOMMENDED FOR COMMERCIAL USE

KEEP THIS DOCUMENT FOR REFERENCE IN CASE PARTS ARE NEEDED

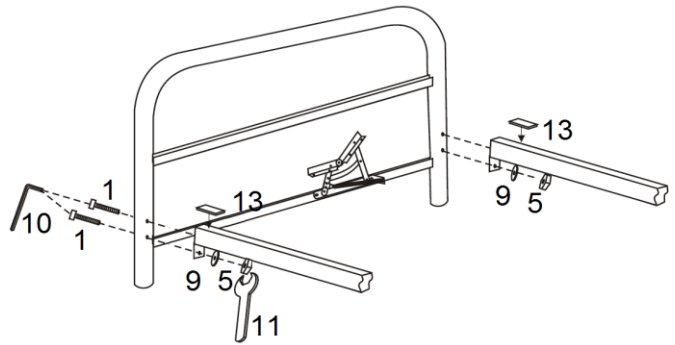
DO NOT TIGHTEN SCREWS UNTIL COMPLETELY ASSEMBLED!!

FOR SERVICE PURPOSE. PLEASE DO NOT REMOVE THE CUSTOMER SERVICE CODE LABEL ON THE MERCHANDISE. IT IS ON THE UNDERSIDE OF THE SOFA.

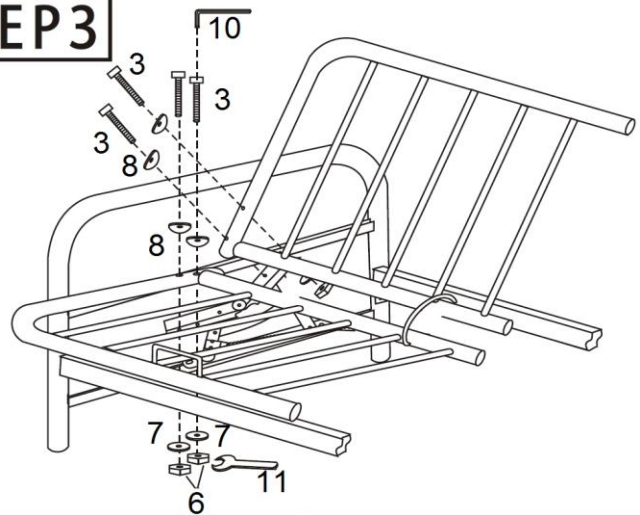
## HARDWARE LIST

1		Hex-head 1/4"x60 Bolts	8Pcs
2		Hex-head 5/16"x30 Bolts	4Pcs
3		Hex-head 5/16"x45 Bolts	8Pcs
4		Hex-head 1/4"x45 Bolts	2Pcs
5		Nuts 1/4"	4Pcs
6		Nuts 5/16"	12Pcs
7		Flat Washers Ø8	12Pcs
8		Flat Washers Ø8	8Pcs
9		Flat Washers Ø6	4Pcs
10		Allen Wrenches 4#、5#	2Pcs
11		Open Wrench 11#、13#	2Pcs
12		Hook	2Pcs
13		20x40 Protective pads	4Pcs

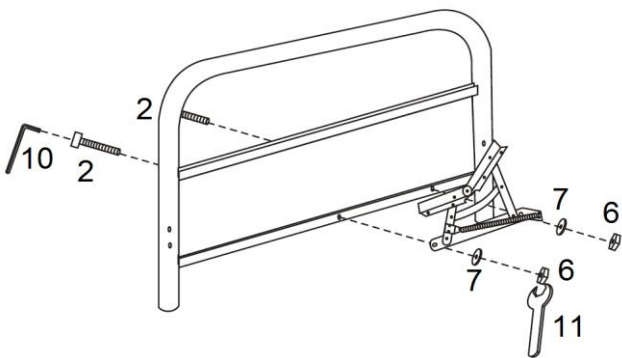
## STEP 2



## STEP 3



## STEP 1



## STEP 4

