

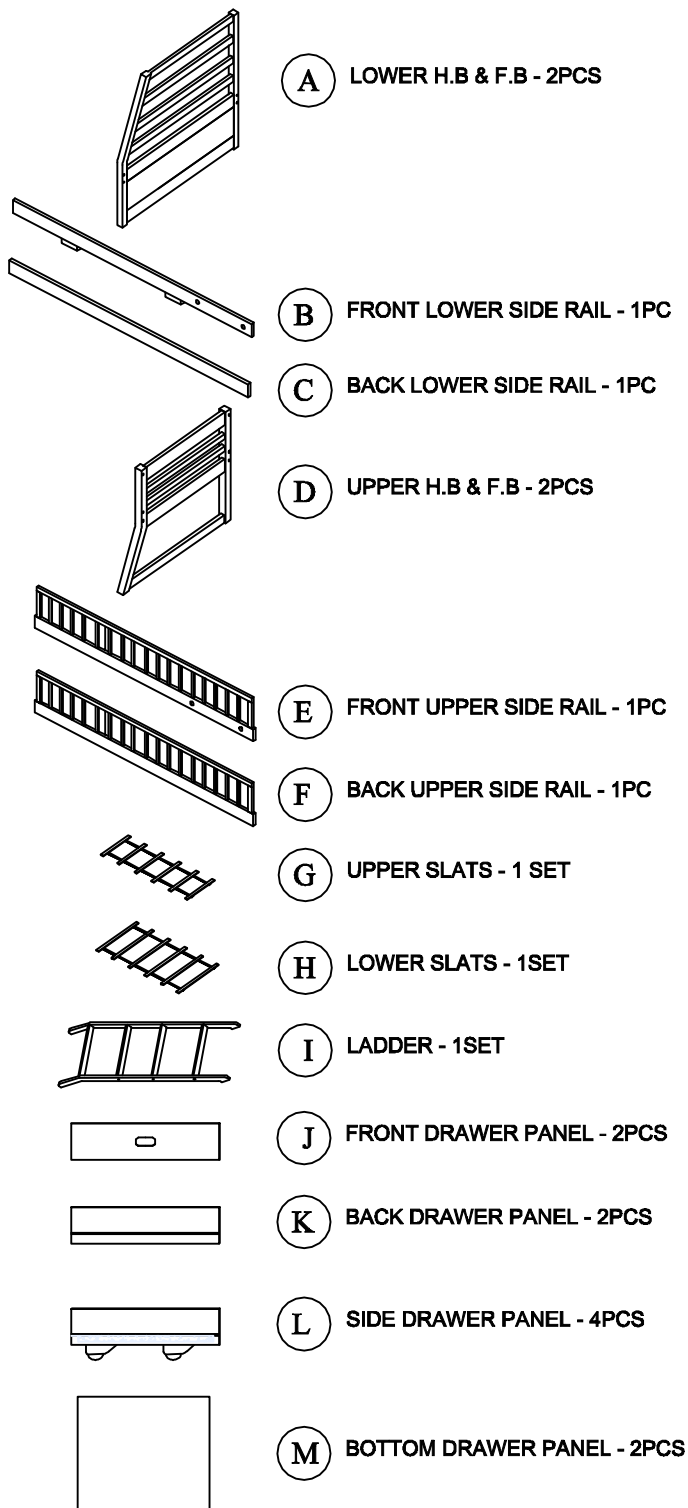
ASSEMBLY INSTRUCTIONS

Model No: #02018 & #02020
#02018W & #02020W & #37040

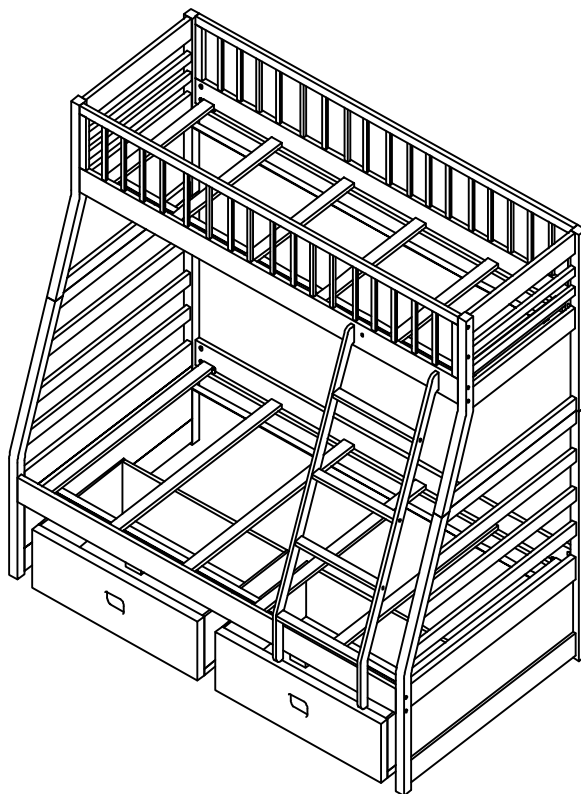
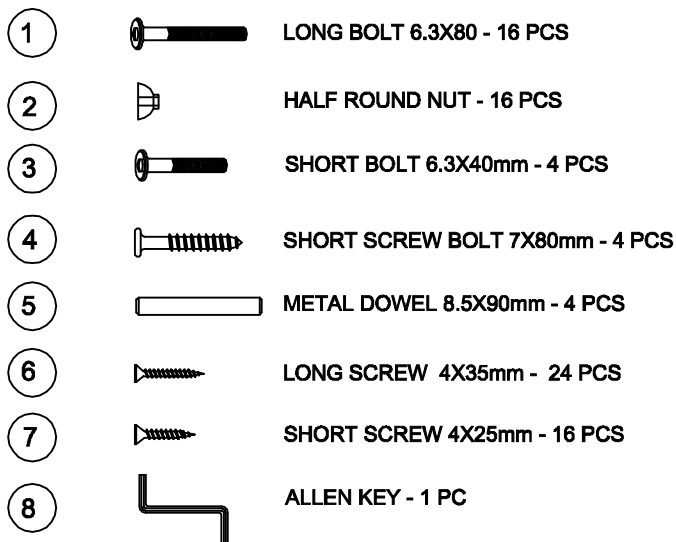
Thank you for purchasing this quality product. Be sure to check all packing material carefully for small parts which may have come loose inside the carton during shipment. Separate, identify and count all parts and metal hardware. Compare with parts list to be sure all parts are present. If any part(s) are missing or damaged, please contact your local furniture dealer. For efficient and speedy service, please indicate the model number and code letter of part(s) needed.

*** Do not fully tighten screws until fully assembled ***

COMPONENT PARTS:



HARDWARE LIST:

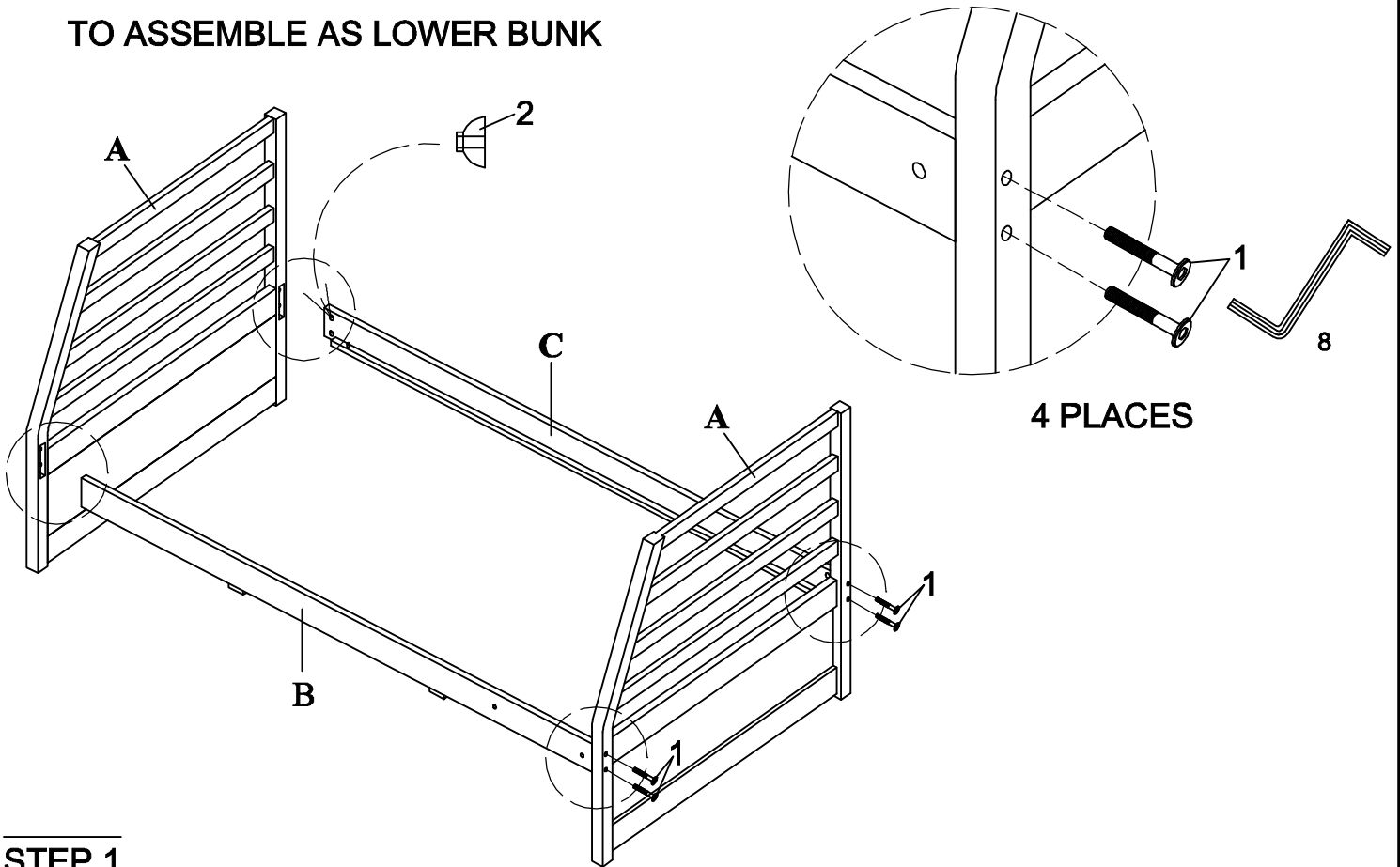


Attention:

*** Mattress not included.

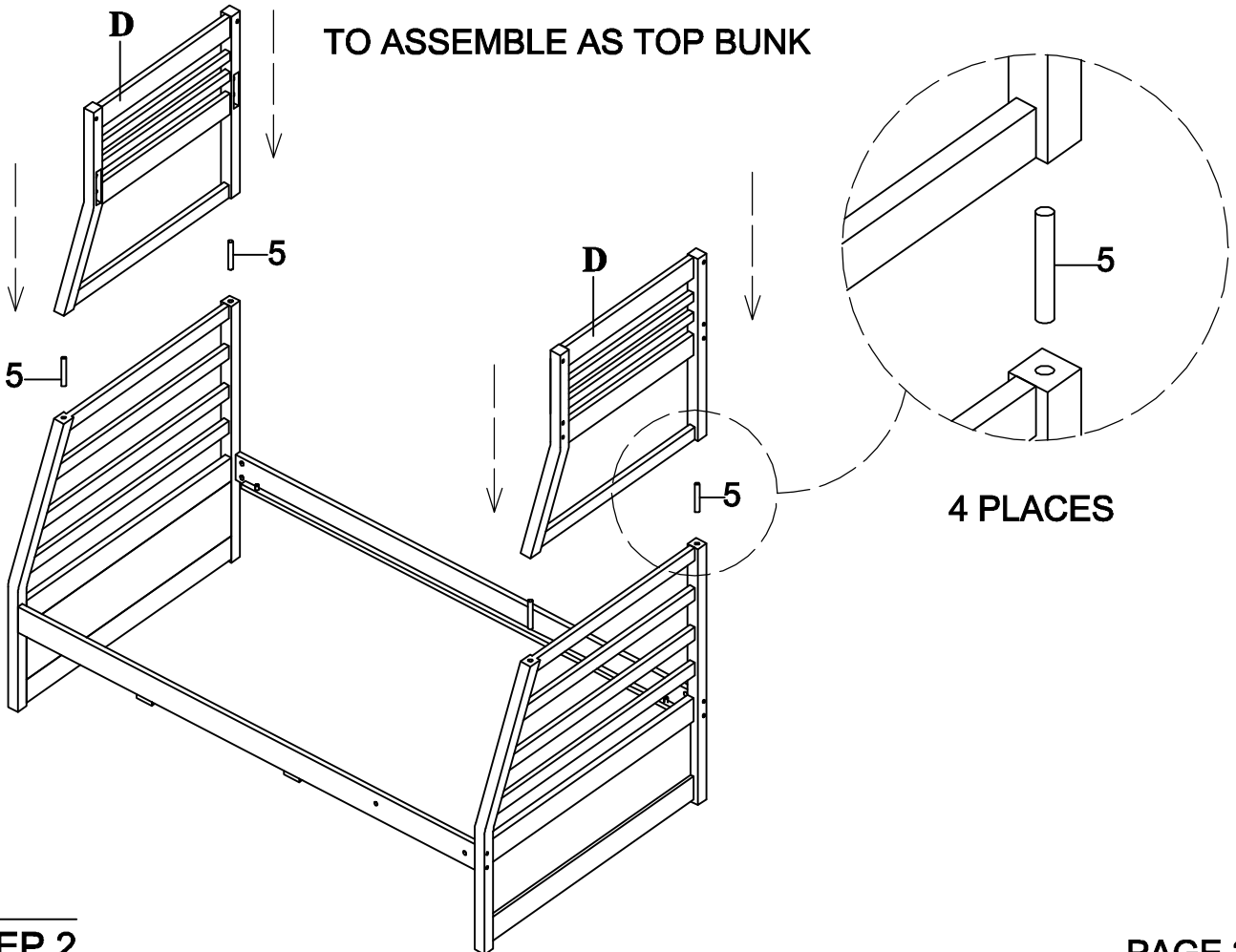
*** Some number parts listed on the instruction sheet may not be in parts bag as they may already be assembled. Carefully check parts and packing materials prior to ordering replacements.

TO ASSEMBLE AS LOWER BUNK



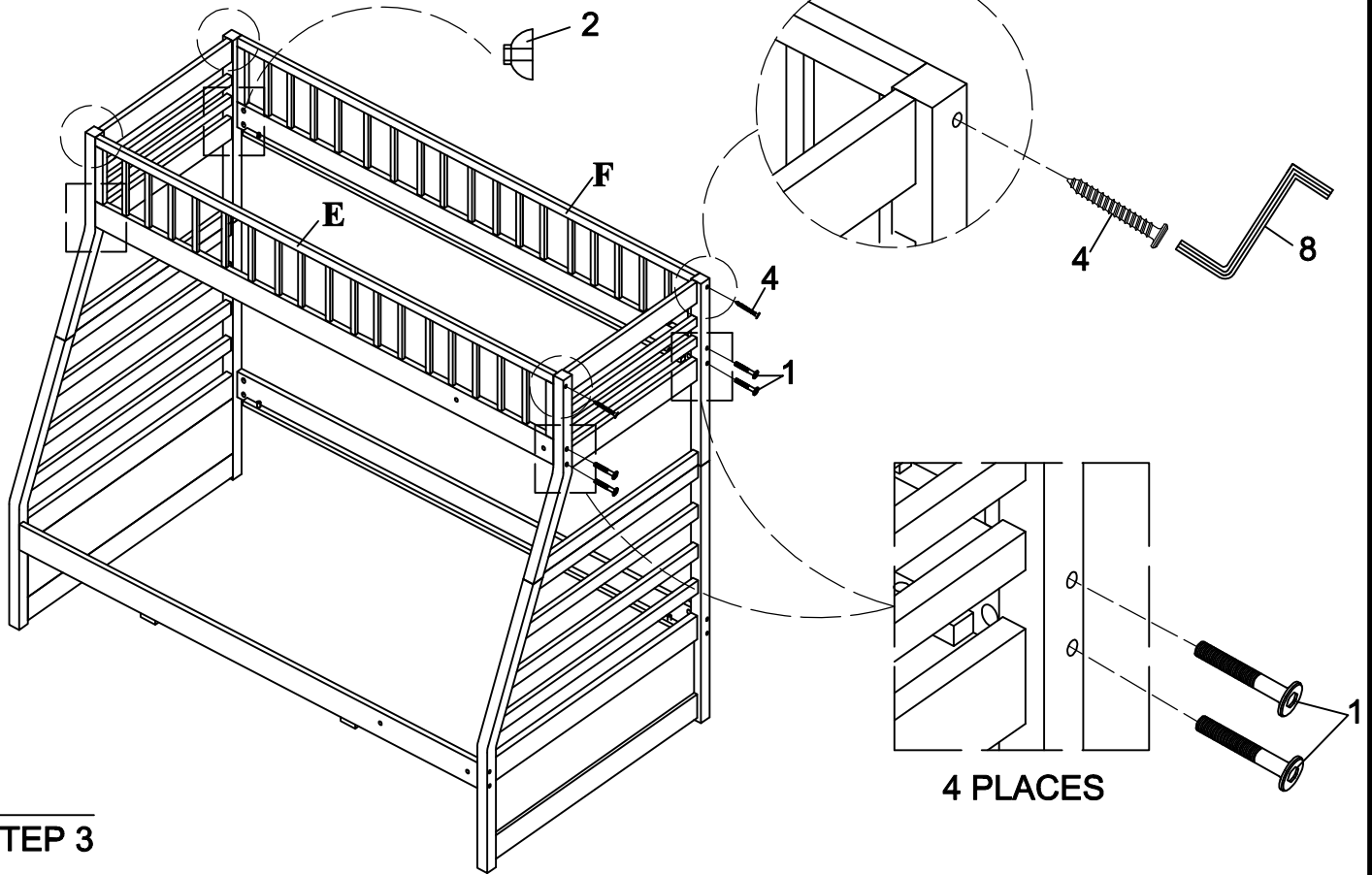
STEP 1

TO ASSEMBLE AS TOP BUNK



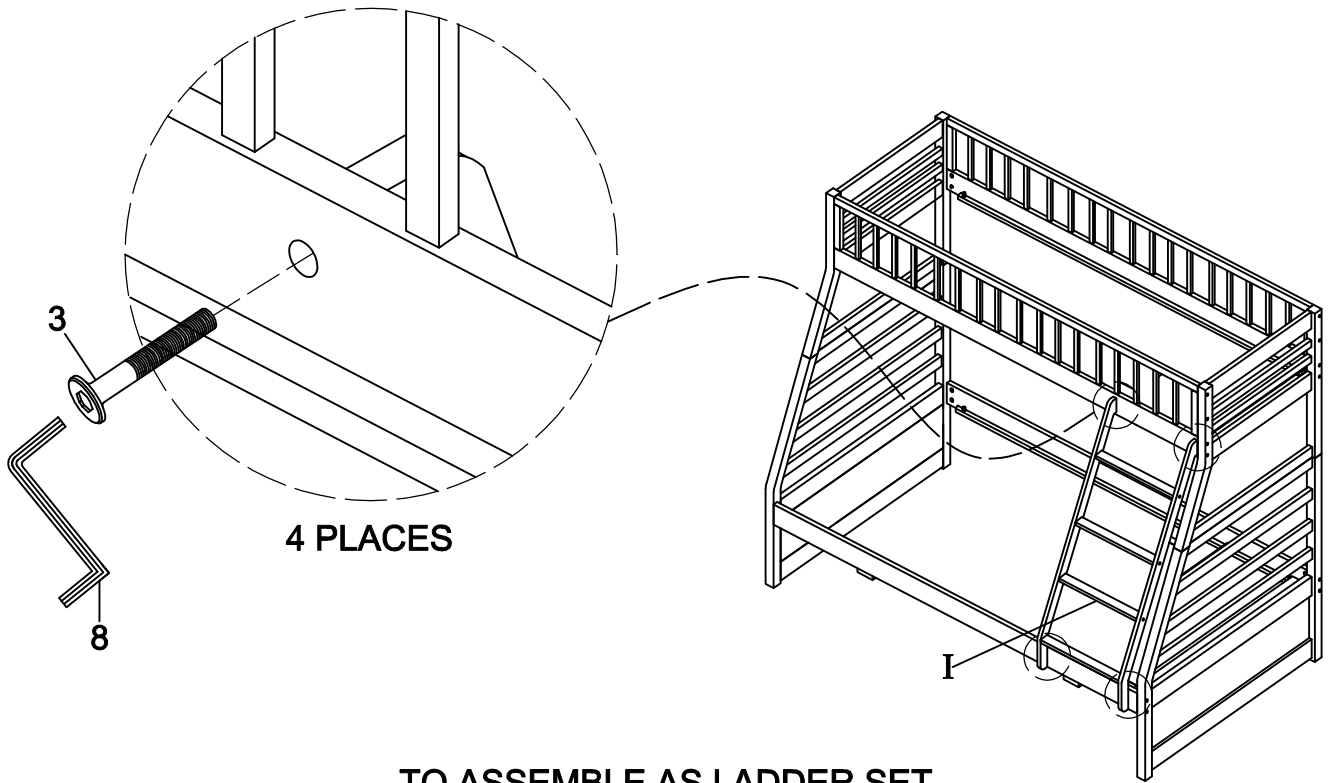
STEP 2

4 PLACES



STEP 3

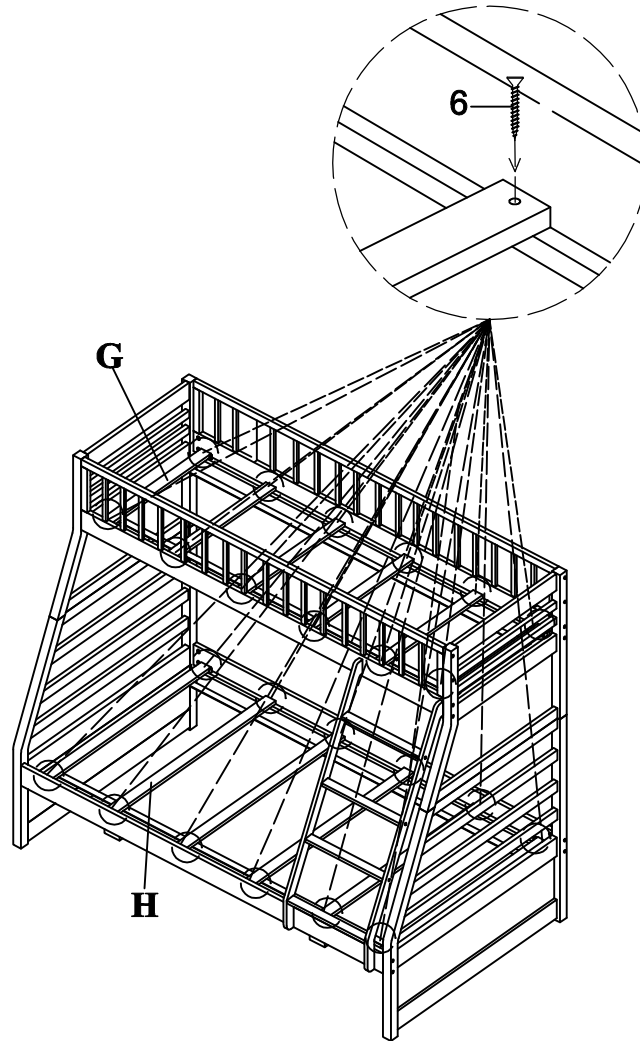
4 PLACES



TO ASSEMBLE AS LADDER SET

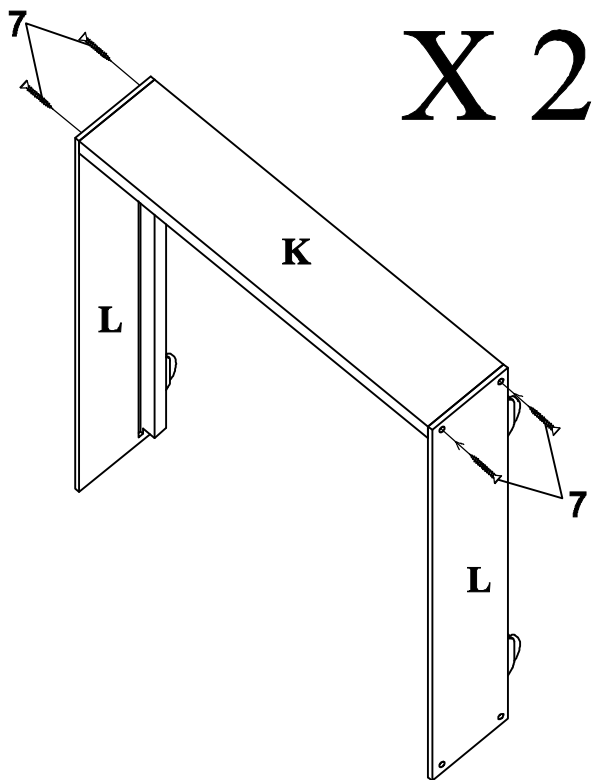
STEP 4

24 PLACES

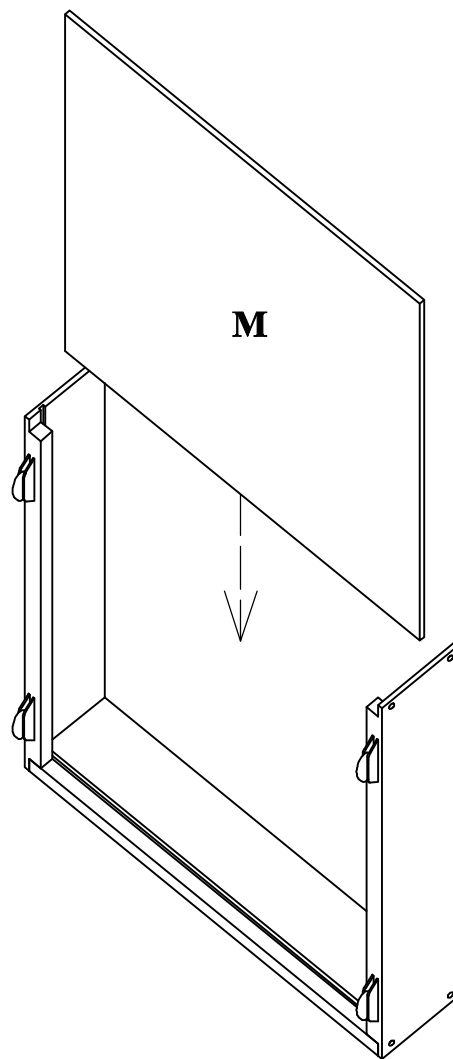


STEP 5

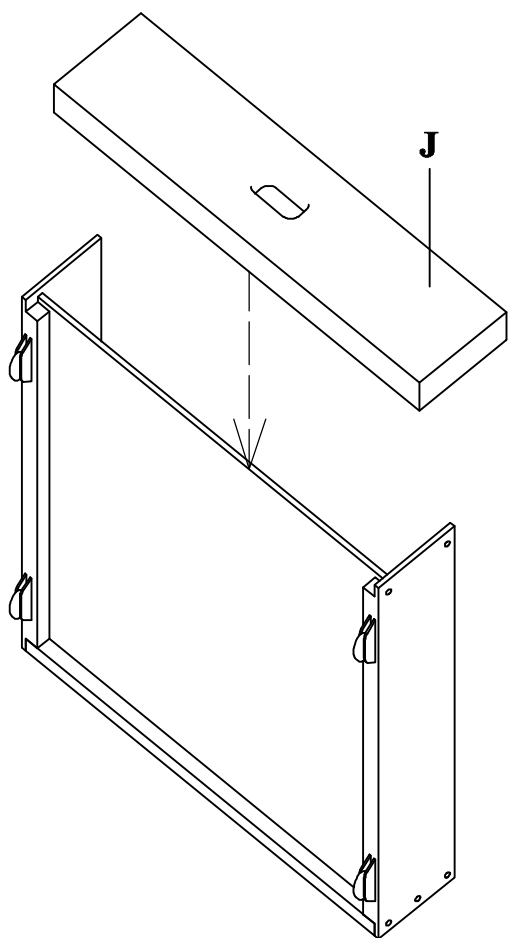
TO ASSEMBLE AS TRUNK



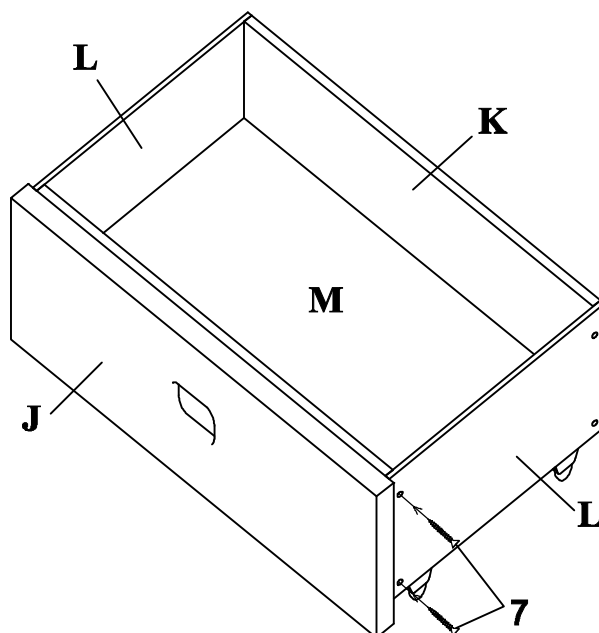
STEP 6



STEP 7

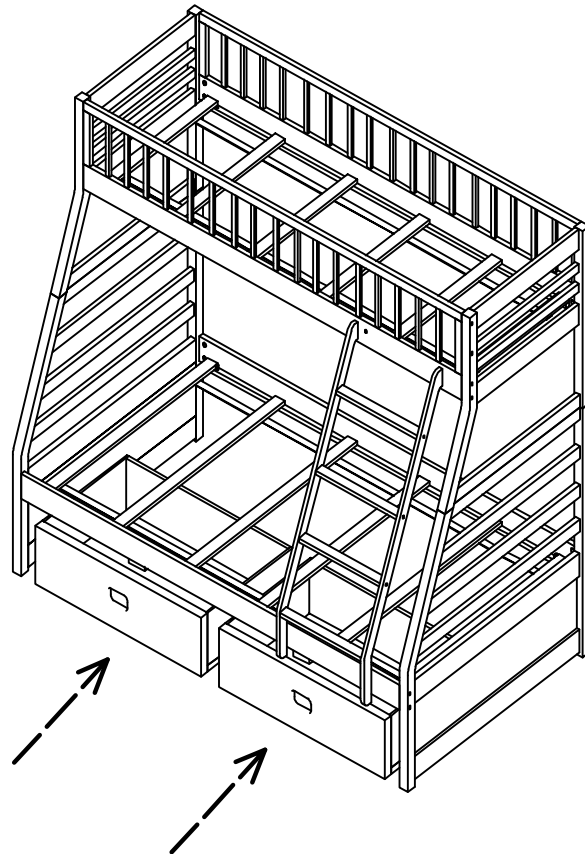


STEP 8



STEP 9

ASSEMBLY IS NOW COMPLETED.



WARNING !!!

To help prevent serious or fatal injuries from entrapment or falls:

1. Follow the information on the warning label appearing on the upper bunk end structure and on the carton. Do not remove warning label from bed.
2. Always use the recommended size mattress or mattress support, or both, to help prevent the like hood of entrapment or falls. Use mattress which is 39" width & 75" length on upper bunk (Twin size) ; Which is 54" width & 75" length on lower bunk (Full Size)
3. Ensure thickness of upper mattress dose not exceed 6" and top surface of mattress is at least 5" below the upper edge of guardrails.
4. Do not allow children under 6 years to use the upper bunk.
5. Periodically check and ensure that the guardrail, ladder, and other components are in their proper position, free from damage, and that all connectors are tight.
6. Do not allow horseplay on or under the bed and prohibit jumping on the bed.
7. Always use ladder for entering and leaving upper bunk.
8. Do not use substitute parts. Contact the manufacturer or dealer for replacement parts.
9. Use of a night-light may provide added safety precaution for a child using the upper bunk.
10. Always use guardrails on both long sides of the upper bunk. If the bunk bed will be placed next to a-wall, the guardrail that runs the full length of the should be placed against the wall to prevent entrapment between the bed and the wall.
11. The use of water or sleep flotation mattresses is prohibited.

STRANGULATION HAZARD:

12. Never attach or hang items to any part of the bunk bed that are not designed for use with the bed, for example, but not limited to, hooks, belts and jump ropes.
13. Prohibit more than one person on upper bunk.
14. Maximum total weight not to exceed-165 lbs on the upper bunk, and maximum 200 lbs on lower bunk.
15. Keep these instrutions for future reference.